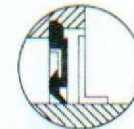
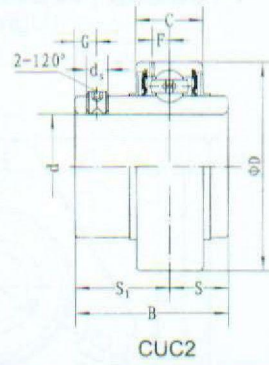
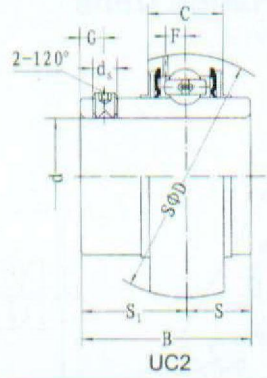




UC2 (normal-duty)

Ball Bearings



SL TYPE SEAL



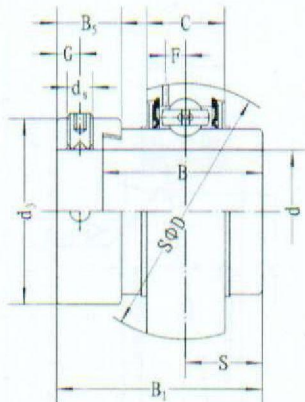
L3 TYPE SEAL

Sutrix UNF: Inch sized set screws

Bearing No.	Dimensions(mm)									Dynamic load ratings N	static load ratings N	Weight (kg)	
	d	D	B	C	S	S <sub>1</sub>	G	d <sub>g</sub>	F				
UCS201	12										9800	4600	0.12
UCS201-8	1/2									0.11			
UCS202	15	40	27.4	14	11.5	15.9	4	M5x0.8	3.7	0.11			
UCS202-9	9/16	1.5748	1.0787	0.5512	0.4528	0.626	0.157	10 <sup>-32</sup>	0.146	0.11			
UCS202-10	5/8									0.10			
UCS203	17									0.10			
UCS203-11	11/16									0.20			
UC201	12									0.19			
UC201-8	1/2									0.19			
UC202	15	47	31	17	12.7	18.3	4.8	M6x1	3.7	0.19			
UC202-9	9/16	1.8504	1.2205	0.6693	0.500	0.720	0.189	1/4-28UNF	0.146	0.19			
UC202-10	5/8									0.19			
UC203	17									0.18			
UC203-11	11/16									0.17			
UC204	20	47	31	17	12.7	18.3	4.8	M6 x 1	3.7	12800	6650	0.16	
UC204-12	3/4	1.8504	1.2205	0.6693	0.500	0.720	0.189	1/4-28UNF	0.146			0.16	
UC205	25	52	34.1	17	14.3	19.8	5	M6 x 1	3.9	14000	7850	0.20	
UC205-13	13/16											0.24	
UC205-14	7/8	2.00472	1.3425	0.6693	0.563	0.780	0.197	1/4-28UNF	0.154			0.23	
UC205-15	15/16											0.21	
UC205-16	1											0.20	
UC206	30	62	38.1	19	15.9	22.2	5	M6 x 1	5.0	19500	11300	0.32	
UC206-17	1-1/16											0.33	
UC206-18	1-1/8	2.4409	1.5000	0.7480	0.626	0.874	0.197	1/4-28UNF	0.197			0.34	
UC206-19	1-3/16											0.32	
UC206-20	1-1/4											0.31	
UC207	35	72	42.9	20	17.5	25.4	7	M8x1	5.7			25700	15300
UC207-20	1-1/4									0.54			
UC207-21	1-5/16	2.8346	1.6890	0.7874	0.689	1.000	0.276	5/16-24UNF	0.224	0.51			
UC207-22	1-3/8									0.48			
UC207-23	1-7/16									0.45			
UC208	40	80	49.2	21	19	30.2	8	M8x1	6.2	29500	18100		
UC208-24	1-1/2	3.1496	1.9370	0.8268	0.746	1.189	0.315	5/16-24UNF	0.244			0.68	
UC208-25	1-9/16											0.65	
UC209	45	85	49.2	22	19	30.2	8	M8x1	6.4	31600	20500	0.68	
UC209-26	1-5/8											0.78	
UC209-27	1-11/16	3.3465	1.9370	0.8661	0.748	1.189	0.315	5/16-24UNF	0.252			0.74	
UC209-28	1-3/4											0.70	
UC210	50	90	51.6	24	19	32.6	10	M10x1	6.5	35000	23200	0.80	
UC210-29	1-13/16											0.92	
UC210-30	1-7/8	3.5433	2.0315	0.9449	0.748	1.283	0.394	3/8-24UNF	0.256			0.87	
UC210-31	1-15/16											0.82	
UC210-32	2											0.78	
UC211	55	100	55.6	25	22.2	33.4	10	M10x1	7.0	43500	29200	1.11	
UC211-32	2											1.26	
UC211-33	2-1/16											1.20	
UC211-34	2-1/8	3.9370	2.1890	0.9843	0.874	1.315	0.394	3/8-24UNF	0.276			1.15	
UC211-35	2-3/16											1.09	
UC212	60	110	65.1	27	25.4	39.7	10	M10x1	7.6	47700	32900	1.54	
UC212-36	2-1/4											1.67	
UC212-37	2-5/16											1.59	
UC212-38	2-3/8	4.3307	2.5630	1.0630	1.000	1.563	0.394	3/8-24UNF	0.299			1.52	
UC212-39	2-7/16											1.45	
UC213	65	120	65.1	28	25.4	39.7	10	M10x1	8.5	57500	40000	1.85	
UC213-40	2-1/2											1.94	
UC213-41	2-9/16	4.3307	2.6630	1.1024	1.000	1.563	0.394	3/8-24UNF	0.335			1.85	
UC214	70	125	74.6	29	30.2	44.4	12	M12x1.5	8.9	60800	45000	2.05	
UC214-42	2-5/8											2.26	
UC214-43	2-11/16											2.16	
UC214-44	2-3/4	4.9213	2.9370	1.1417	1.189	1.748	0.472	7/16-20UNF	0.350			2.06	
UC215	75	130	77.8	30	33.3	44.5	12	M12x1.5	9.2	66000	49500	2.21	
UC215-45	2-13/16											2.46	
UC215-46	2-7/8											2.35	
UC215-47	2-15/16	5.1181	3.0630	1.1811	1.311	1.752	0.472	7/16-20UNF	0.362			2.24	
UC215-48	3											2.12	
UC216	80	140	82.6	32	33.3	49.3	12	M12x1.5	9.5			71500	54200
UC216-49	3-1/16									2.98			
UC216-50	3-1/8									2.85			
UC216-51	3-3/16	5.5118	3.2520	1.2598	1.311	1.9409	0.472	7/16-20UNF	0.374	2.72			
UC217	85	150	85.7	34	34.1	51.6	12	M12x1.5	10.2	83500	64000		
UC217-52	3-1/4											3.68	
UC217-53	3-5/16	5.9055	3.3740	1.3386	1.343	2.031	0.472	7/16-20UNF	0.402			3.54	
UC217-55	3-7/16											3.25	
UC218	90	160	96	36	39.7	56.3	12	M12x1.5	11.2	96000	71500	4.36	
UC218-56	3-1/2	6.2992	3.7795	1.4173	1.5630	2.217	0.472	1/2-20UNF	0.441			4.47	

**Ball Bearings**  
(with eccentric locking collar)

**HC2** (Normal-duty)



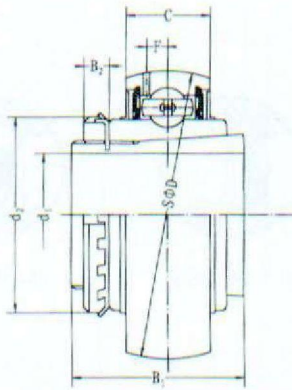
SL TYPE SEAL



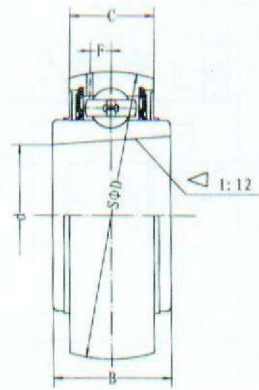
L3 TYPE SEAL

Suffix UNF: Inch sized set screws

Bearing No.	Dimensions												Dynamic load ratings N	static load ratings N	Weight (kg)	
	d	D	B <sub>1</sub>	B	C	S	d <sub>1</sub>	G	B <sub>2</sub>	d <sub>s</sub>	F					
HC201	12													12800	6650	0.29
HC201-8	1/2															0.29
HC202	15													12800	6650	0.27
HC202-9	9/16	47	43.7	34.2	17	17.1	M6x1	4.8	13.5	33.3	3.7					0.26
HC202-10	5/8	1.8504	1.720	1.3465	0.6693	0.673	1/4-28UNF	0.189	0.531	1.311	0.146					0.26
HC203	17													12800	6650	0.25
HC203-11	11/16															0.25
HC204	20	47	43.7	34.2	17	17.1	M6 x 1	4.8	13.5	33.3	3.7			12800	6650	0.23
HC204-12	3/4	1.8504	1.720	1.3465	0.6693	0.673	1/4-28UNF	0.189	0.531	1.311	0.146					0.23
HC205	25	52	44.4	34.9	17	17.5	M6 x 1	4.8	13.5	38.1	3.9					0.27
HC205-13	13/16															0.32
HC205-14	7/8															0.31
HC205-15	15/16	2.0472	1.748	1.3740	0.6693	0.689	1/4-28UNF	0.189	0.531	1.500	0.154			14000	7850	0.29
HC205-16	1															0.27
HC206	30	62	48.4	36.5	19	19.3	M8 x 1	6	15.9	44.5	5.0					0.45
HC206-17	1-1/16															0.50
HC206-18	1-1/8	2.4409	1.906	1.4370	0.7480	0.720	5/16-24UNF	0.236	0.626	1.752	0.197			19510	11300	0.47
HC206-19	1-3/16															0.45
HC206-20	1-1/4															0.42
HC207	35	72	51.1	37.6	20	19.8	M8 x 1	6.8	17.5	55.6	5.7					0.60
HC207-20	1-1/4															0.67
HC207-21	1-5/16															0.63
HC207-22	1-3/8	2.8346	2.012	1.4803	0.7874	0.740	5/16-24UNF	0.268	0.689	2.189	0.224			25700	15300	0.60
HC207-23	1-7/16															0.57
HC208	40	80	56.3	42.8	21	21.4	M8 x 1	6.8	18.3	60.3	6.2					0.79
HC208-24	1-1/2	3.1496	2.217	1.6850	0.8268	0.843	5/16-24UNF	0.268	0.720	2.374	0.244			29500	18100	0.84
HC208-25	1-9/16															0.80
HC209	45	85	56.3	42.8	22	21.4	M8 x 1	6.8	18.3	63.5	6.4					0.85
HC209-26	1-5/8															0.96
HC209-27	1-11/16	3.3465	2.217	1.6850	0.8661	0.843	5/16-24UNF	0.268	0.720	2.5000	0.252			31600	20600	0.91
HC209-28	1-3/4															0.87
HC210	50	90	62.7	49.2	24	24.6	M8 x 1	6.8	19.3	69.9	6.5					0.99
HC210-29	1-13/16															1.14
HC210-30	1-7/8	3.5433	2.469	1.9370	0.9449	0.969	5/16-24UNF	0.268	0.720	2.752	0.256			35000	23200	1.08
HC210-31	1-15/16															1.02
HC210-32	2															0.96
HC211	55	100	71.4	55.5	25	27.8	M10 x 1	8	20.7	76.2	7.0					1.32
HC211-32	2															1.52
HC211-33	2-1/16	3.9370	2.811	2.1850	0.9843	1.094	3/8-24UNF	0.315	0.815	3.000	0.276			43500	29200	1.44
HC211-34	2-1/8															1.37
HC211-35	2-3/16															1.29
HC212	60	110	77.8	61.9	27	31	M10 x 1	8	22.3	84.2	7.6					1.88
HC212-36	2-1/4															2.04
HC212-37	2-5/16	4.3307	3.063	2.4370	1.0630	1.220	3/8-24UNF	0.315	0.876	3.315	0.299			47700	32900	1.95
HC212-38	2-3/8															1.90
HC212-39	2-7/16															1.77
HC213	65	120	85.7	68.6	28	34.1	M10 x 1	8.5	23.5	86	8.5					2.41
HC213-40	2-1/2	4.7244	3.374	2.7008	1.1024	1.343	3/8-24UNF	0.335	0.925	3.386	0.335			57500	40000	2.51
HC213-41	2-9/16															2.40
HC214	70	125	85.7	68.6	29	34.1	M10 x 1	8.5	23.5	90	8.9					2.55
HC214-42	2-3/8															2.79
HC214-43	2-11/16	4.9213	3.374	2.7008	1.1417	1.343	3/8-24UNF	0.335	0.925	3.543	0.350			60800	45000	2.68
HC214-44	2-3/4															2.56
HC215	75	130	92.1	75	30	37.3	M10 x 1	8.5	23.5	102	9.2					2.84
HC215-45	2-13/16															3.14
HC215-46	2-7/8	5.1181	3.626	2.9528	1.1811	1.469	3/8-24UNF	0.335	0.925	4.016	0.362			66000	49500	3.01
HC215-47	2-15/16															2.88
HC215-48	3															2.74



UK2+H, HA, HS, HE23



UK2



SL TYPE SEAL

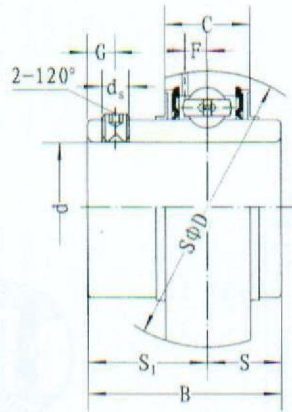


L3 TYPE SEAL

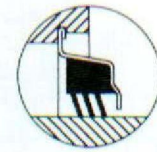
Bearing No.	Dimensions										Dynamic load ratings N	static load ratings N	Weight (kg)	
	d	D	B	C	d <sub>1</sub>	B <sub>1</sub>	B <sub>2</sub>	d <sub>2</sub>	F	SOD				
UK205,H2305	25	52	23	17	20	35	8	38	3.9					
UK205,HE2305	0.9843	2.0472	0.9055	0.6693	3/4	1.378	0.315	1.496	0.154	14000	7850	0.25		
UK206,H2306	30	62	26	19	25	38	8	45	5.0					
UK206,HS2306										19500	11300	0.36		
UK206,HE2306	1.1811	2.4409	1.0236	0.7480	11.496	0.315	1.772	0.197						
UK207,H2307	35	72	29	20	30	43	9	52	5.7					
UK207,HS2307										252700	15300	0.57		
UK207,HE2307	1.3780	2.8346	1.1417	0.7874	1-1/8	1.693	0.354	2.047	0.224					
UK208,H2308	40	80	31	21	35	46	10	58	6.2					
UK208,HE2308										29500	18100	0.74		
UK208,HS2308	1.5748	3.1496	1.2205	0.8268	1-1/4	1.811	0.394	2.283	0.244					
UK209,H2309	45	85	31	22	40	50	11	65	6.4					
UK209,HA2309										31600	20600	0.83		
UK209,HE2309														
UK209,HS2309	1.7717	3.3465	1.2205	0.8661	1-1/2	1.969	0.433	2.559	0.252					
UK210,H2310	50	90	32	24	45	55	12	70	6.5					
UK210,HS2310										35000	23200	0.97		
UK210,HA2310														
UK210,HE2310	1.9685	3.5433	1.2598	0.9449	1-11/16	2.165	0.472	2.756	0.256					
UK211,H2311	55	100	35	25	50	59	12	75	7.0					
UK211,HS2311										43500	29200	1.26		
UK211,HA2311														
UK211,HE2311	2.1654	3.9370	1.3780	0.9843	1-15/16	2.323	0.472	2.953	0.276					
UK212,H2312	60	110	38	27	55	62	13	80	7.6					
UK212,HS2312										47700	32900	1.59		
UK212,HE2312	2.3622	4.3307	1.4961	1.0630	2-1/8	2.441	0.512	3.150	0.299					
UK213,H2313	65	120	40	28	60	65	14	85	8.5					
UK213,HA2313										57500	40000	1.76		
UK213,HE2313														
UK213,HS2313	2.5591	4.7244	1.5748	1.1024	2-3/8	2.559	0.551	3.346	0.335					
UK215,H2315	75	130	44	30	65	73	15	98	9.2					
UK215,HA2315										68000	49500	2.32		
UK215,HE2315														
UK215,HS2315	2.9528	5.1181	1.7323	1.1811	2-7/16	2.874	0.591	3.858	0.362					
UK216,H2316	80	140	45	32	70	78	17	105	9.5					
UK216,HA2316										71500	54200	3.06		
UK216,HE2316														
UK216,HS2316	3.1496	5.5118	1.7717	1.2598	2-11/16	3.071	0.669	4.134	0.374					
UK217,H2317	85	150	46	34	75	82	18	110	10.2					
UK217,HA2317										83500	64000	3.88		
UK217,HE2317														
UK217,HS2317	3.3465	5.9055	1.8110	1.3386	2-15/16	3.228	0.709	4.331	0.402					
UK218,H2318	90	160	47	36	80	86	18	120	11.2					
UK218,HA2318										96000	71500	4.74		
UK218,HE2318														
UK218,HS2318	3.5433	6.2992	1.8504	1.4173	3-3/16	3.386	0.709	4.724	0.441					

Ball Bearings

UCX (medium-duty)



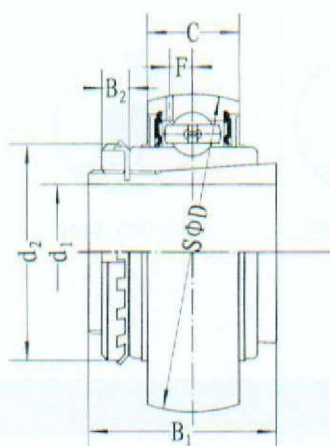
SL TYPE SEAL



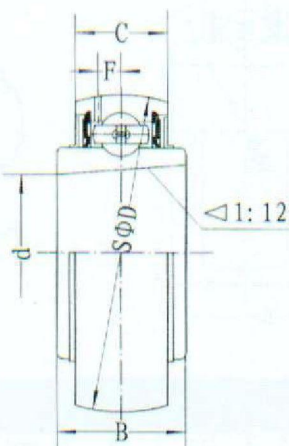
L3 TYPE SEAL

Suffix UNF: Inch sized set screws

Bearing No.	Dimensions									Dynamic load ratings N	static load ratings N	Weight (kg)
	d	D	B	C	S	S <sub>1</sub>	G	d <sub>s</sub>	F			
UCX05	25	62	38.1	19	15.9	22.2	5	M6x1	5.0	19500	11300	0.39
UCX05-13	13/16											
UCX05-14	7/8	2.4409	1.5000	0.7480	0.626	0.874	0.197	1/4-28UNF	0.197			
UCX05-15	15/16											
UCX05-16	1											
UCX06	30	72	42.9	20	17.5	25.4	7	M8x1	5.7	25700	15300	0.68
UCX06-17	1-1/16	2.8346	1.6890	0.7874	0.689	1.000	0.276	5/16-24UNF	0.224			
UCX06-18	1-1/8											
UCX06-19	1-3/16											
UCX07	35	80	49.2	21	19	30.2	8	M8x1	6.2	29500	18100	0.82
UCX07-21	1-5/16	3.1496	1.9370	0.8268	0.748	1.189	0.315	5/16-24UNF	0.244			
UCX07-22	1-3/8											
UCX07-23	1-7/16											
UCX08	40	85	49.2	22	19	30.2	8	M8x1	6.4	31600	20600	0.93
UCX08-24	1-1/2	3.3465	1.9370	0.8661	0.748	1.189	0.315	5/16-24UNF	0.252			
UCX08-25	1-9/16											
UCX09	45	90	51.6	24	19	32.6	10	M10x1	6.5	35000	23200	1.00
UCX09-26	1-5/8	3.5433	2.0315	0.9449	0.748	1.283	0.394	3/8-24UNF	0.256			
UCX09-27	1-11/16											
UCX09-28	1-3/4											
UCX10	50	100	55.6	25	22.2	33.4	10	M10x1	7.0	43500	29200	1.35
UCX10-30	1-7/8	3.9370	2.1890	0.9843	0.874	1.315	0.394	3/8-24UNF	0.276			
UCX10-31	1-15/16											
UCX11	55	110	65.1	27	25.4	39.7	10	M10x1	7.6	47700	32900	1.90
UCX11-33	2-1/16	4.3307	2.5630	1.0630	1.000	1.563	0.394	3/8-24UNF	0.299			
UCX11-34	2-1/8											
UCX11-35	2-3/16											
UCX12	60	120	65.1	28	25.4	39.7	10	M10x1	8.5	57500	40000	2.27
UCX12-38	2-3/8	4.3307	2.5630	1.1024	1.000	1.563	0.394	3/8-24UNF	0.335			
UCX12-39	2-7/16											
UCX13	65	125	74.6	29	30.2	44.4	12	M12x1.5	8.9	60800	45000	2.45
UCX13-40	2-1/2	4.9213	2.9370	1.1417	1.189	1.748	0.472	1/2-20UNF	0.350			
UCX13-41	2-9/16											
UCX14	70	130	77.8	30	33.3	44.5	12	M12x1.5	9.2	66000	49500	2.47
UCX14-42	2-3/8	5.1181	3.0630	1.1811	1.311	1.752	0.472	1/2-20UNF	0.362			
UCX14-43	2-11/16											
UCX14-44	2-3/4											
UCX15	75	140	82.6	32	33.3	49.3	12	M12x1.5	9.5	71500	54200	3.11
UCX15-45	2-13/16	5.5118	3.2520	1.2598	1.311	1.9409	0.472	1/2-20UNF	0.374			
UCX15-46	2-7/8											
UCX15-47	2-15/16											
UCX15-48	3											
UCX16	80	150	85.7	34	34.1	51.6	12	M12x1.5	10.2	83500	64600	3.79
UCX16-49	3-1/16	5.9055	3.3740	1.3386	1.343	2.031	0.472	1/2-20UNF	0.402			
UCX16-50	3-1/8											
UCX16-51	3-3/16											
UCX17	85	160	96	36	39.7	56.3	12	M12x1.5	11.2	96000	71500	4.82
UCX17-53	3-5/16	6.2992	3.7795	1.4173	1.5830	2.217	0.472	1/2-20UNF	0.441			
UCX17-55	3-7/16											
UCX18	90	170	104.0	39	42.9	61.1	16	M14x1.5	12.5	109000	82000	5.51
UCX18-56	3-1/2	6.6929	4.0945	1.5354	1.689	2.406	0.630	9/16-18UNF	0.492			
UCX20	100	190	117.5	43	49.2	68.3	18	M16x1.5	13.7	133000	105000	8.56
UCX20-64	3-1/2	6.6929	4.0945	1.5354	1.689	2.406	0.630	5/8-18UNF	0.539			



**UKX+H, HA, HS, HE 23**



**UKX**



**SL TYPE SEAL**

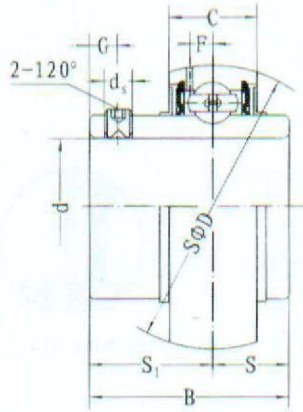


**L3 TYPE SEAL**

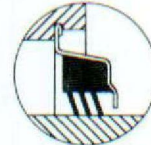
Unit No.	Dimensions mm									Dynamic load ratings N	static load ratings N	Weight (kg)
	d	D	B	C	d <sub>1</sub>	B <sub>1</sub>	B <sub>2</sub>	d <sub>2</sub>	F			
UKX05;H2305	25	62	26	19	20	35	8	38	5.0	19500	11300	0.37
UKX05;HE2305	0.9845	2.4409	1.0236	0.7480	3/4	1.378	0.315	1.496	0.197			
UKX06;H2306	30	72	29	20	25	38	8	45	5.7	25700	15300	0.59
UKX06;HS2306	1.1811	2.8346	1.1417	0.7874	7/8	1.496	0.315	1.771	0.244			
UKX06;HE2306					1							
UKX07;H2307	35	80	31	21	300	43	9	52	6.2	29500	18100	0.75
UKX07;HS2307	1.3780	3.1496	1.2205	0.8268	1-1/8	1.693	0.354	2.047	0.244			
UKX08;H2308	40	85	31	22	35	46	10	58	6.4	31600	20600	0.86
UKX08;HE2308	1.5748	3.3465	1.2205	8.661	1-1/4	1.811	0.394	2.284	0.252			
UKX08;HS2308					1-3/8							
UKX09;H2309	45	90	32	24	40	50	11	65	6.5	35000	23200	0.96
UKX09;HA2309					1-7/16							
UKX09;HE2309	1.7717	3.5433	1.2598	0.9449	1/12	1.969	0.433	2.559	0.256			
UKX09;HS2309					1-5/8							
UKX10;H2310	50	100	35	25	45	55	12	70	7.0	43500	29200	1.34
UKX10;HS2310					1-5/8							
UKX10;HA2310	1.9685	3.9370	1.3780	0.6843	1-11/16	2.165	0.472	2.756	0.726			
UKX10;HE2310					1-3/4							
UKX11;H2311	55	110	38	27	50	59	12	75	7.6	47700	32900	1.67
UKX11;HS2311					1-7/8							
UKX11;HA2311	2.1654	4.3307	1.496	1.0630	1-15/16	2.323	0.472	2.953	0.299			
UKX11;HE2311					2							
UKX12;H2312	60	120	40	28	55	62	13	80	8.5	57500	4000	1.84
UKX12;HS2312	2.3622	4.7244	1.5748	1.1024	2-1/8	2.441	0.512	3.150	0.335			
UKX13;H2313	65	125	40	29	60	65	14	85	8.9	60800	45000	2.15
UKX13;HA2313					2-3/16							
UKX13;HE2313	2.5591	4.9213	1.5	1.1417	2-1/4	2.559	0.551	3.346	0.350			
UKX13;HS2313					2-3/8							
UKX15;H2315	75	140	45	32	65	73	15	98	9.5	71500	54200	3.05
UKX15;HA2315	2.9528	5.5118	1.7717	1.2598	2-7/16	2.874	0.591	3.858	0.374			
UKX15;HS2315					2-1/2							
UKX16;H2316	80	150	46	34	70	78	17	105	10.2	83500	64000	3.95
UKX16;HA2316	3.1496	0.9055	1.811	1.3386	2-11/16	3.071	0.669	4.134	0.402			
UKX16;HS2316					2-3/4							
UKX17;H2317	85	160	47	36	75	82	18	110	11.2	96000	71500	4.83
UKX17;HA2317	3.3485	6.2992	1.8504	1.4173	2-15/16	3.228	0.709	4.331	0.441			
UKX17;HE2317					3							
UKX18;H2318	90	170	50	39	80	86	18	120	12.5	109000	82000	5.45
UKX18;HA2318	3.5433	6.6929	1.9685	1.5354	3-3/16	3.386	0.709	4.724	0.492			
UKX20;H2320	100	190	54	43	90	97	20	130	13.7	133000	105000	7.51
UKX20;HA2320	3.9370	7.4803	2.1260	1.6929	3-17/32	3.8189	0.7874	5.1181	0.539			

Ball Bearings

UC3 (Heavy-duty)

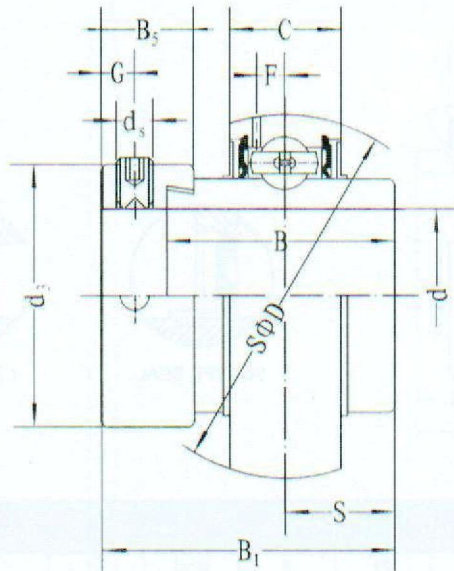


SL TYPE SEAL



L3 TYPE SEAL

Unit No.	Dimensions <span style="font-size: small;">mm inch</span>										Dynamic load ratings N	Static load ratings N	Weight (kg)
	d	D	B	C	S	S <sub>1</sub>	G	d <sub>s</sub>	F				
UC305	25	62	38	20	15	23	6	M6x1	5.4			0.35	
UC305-13	13/16											0.40	
UC305-14	7/8	2.4409	1.4961	0.7874	0.591	0.906	0.236	1/4-28UNF	0.213	22400	11500	0.38	
UC305-15	15/16											0.36	
UC305-16	1												
UC306	30	72	43	23	17	26	6	M6X1	5.7			0.35	
UC306-17	1-1/16											0.56	
UC306-18	1-1/8	2.8346	1.6929	0.9055	0.669	1.024	0.236	1/4-28UNF	0.226	26700	11500	0.61	
UC306-19	1-3/16												
UC307	35	80	48	25	19	29	8	M8X1	6.2			0.66	
UC307-20	1-1/4											0.56	
UC307-21	1-5/16	3.1496	1.8898	0.9843	0.748	1.142	0.315	5/16-24UNF	0.224	33500	19100	0.77	
UC307-22	1-3/8											0.74	
UC307-23	1-7/16											0.71	
UC308	40	90	52	27	19	33	10	M10X1	7.0			0.96	
UC308-24	1-1/2											1.01	
UC308-25	1-9/16	3.5433	2.0472	1.0630	0.748	1.299	0.394	3/8-24UNF	0.276	40500	24000	0.97	
UC309	45	100	57	30	22	35	10	M10X1	7.8			1.28	
UC309-26	1-5/8											1.39	
UC309-27	1-11/16	3.9370	2.2441	1.1811	0.866	1.378	0.394	3/8-24UNF	0.307	52800	31800	1.35	
UC309-28	1-3/4											1.30	
UC310	50	110	61	32	22	39	12	M12X1.5	8.5			1.65	
UC310-29	1-13/16											1.97	
UC310-30	1-7/8	4.3307	2.4016	1.2598	0.866	1.535	0.472	1/2-20UNF	0.335	61800	37900	1.74	
UC310-31	1-15/16											1.68	
UC311	55	120	66	34	25	41	12	M12X1.5	9.2			2.07	
UC311-32	2											2.25	
UC311-33	2-1/16	4.7244	2.5984	1.3386	0.984	1.614	0.472	1/2-20UNF	0.362	71500	44700	2.18	
UC311-34	2-1/8											2.12	
UC311-35	2-3/16											2.04	
UC312	60	130	71	36	26	45	12	M12X1.5	9.8			2.60	
UC312-36	2-1/4											2.75	
UC312-37	2-5/16	5.1181	2.7953	1.4173	1.0236	1.772	0.472	1/2-20UNF	0.386	81700	51800	2.67	
UC312-38	2-3/8											2.58	
UC312-39	2-7/16											2.50	
UC313	65	140	75	38	30	45	12	M12X1.5	10.5			3.25	
UC313-40	2-1/2											3.34	
UC313-41	2-9/16	5.5118	2.9528	1.4961	1.181	1.772	0.472	1/2-20UNF	0.413	92500	60000	3.24	
UC314	70	150	78	40	33	45	12	M12X1.5	11.1			3.89	
UC314-42	2-5/8											4.11	
UC314-43	2-11/16	5.9055	3.0708	1.5748	1.299	1.772	0.472	1/2-20UNF	0.437	104000	68000	4.0	
UC314-44	2-3/4											3.90	
UC315	75	160	82	42	32	50	14	M14X1.5	11.8			4.72	
UC315-45	2-13/16											4.99	
UC315-46	3-7/8	6.2992	3.2283	1.6535	1.260	1.969	0.551	9/16-18UNF	0.465	113000	77000	4.85	
UC315-47	2-15/16											4.76	
UC315-48	3											4.63	
UC316	80	170	86	44	34	52	14	M14X1.5	12.5			5.55	
UC316-49	3-1/16											5.72	
UC316-50	3-1/8	6.6929	3.3858	1.7323	1.339	2.047	0.551	9/16-18UNF	0.492	123000	86500	5.58	
UC316-51	3-3/16											5.49	
UC317	85	180	96	46	40	56	16	M16X1.5	13.1			6.67	
UC317-52	3-1/4											6.89	
UC317-53	3-5/16	7.0866	3.7795	1.8110	1.575	2.205	0.630	5/8-18UNF	0.516	132600	96500	6.76	
UC317-55	3-7/16											6.44	
UC318	90	190	96	48	40	56	16	M16X1.5	13.8			7.56	
UC318-55	3-7/16											7.85	
UC318-56	3-1/2	7.4803	3.7795	1.8898	1.575	2.205	0.630	5/8-18UNF	0.543	144000	108000	7.67	
UC319	95	200	103	50	41	62	16	M16X1.5	14.7			8.70	
UC319-58	3-5/8											9.03	
UC319-59	3-11/16	7.8740	4.0551	1.9685	1.614	2.441	0.630	5/8-18UNF	0.579	156600	122000	8.85	
UC319-60	3-3/4											8.66	
UC320	100	215	108	54	42	66	18	M18x1.5	15.7			11.2	
UC320-64	4	8.4646	4.2520	2.1260	1.6535	2.5984	0.7087	0.616		17300	141000	11.0	
UC322	100	240	117	60	46	71	18	M18x1.5	17.7			15.1	
UC324	120	280	126	64	51	75	18	M18x1.5	19			19.0	
UC326	130	280	135	68	54	81	20	M20x1.5	20			23.6	
UC328	140	300	145	72	59	86	20	M20x1.5	22			29.4	



SL TYPE SEAL

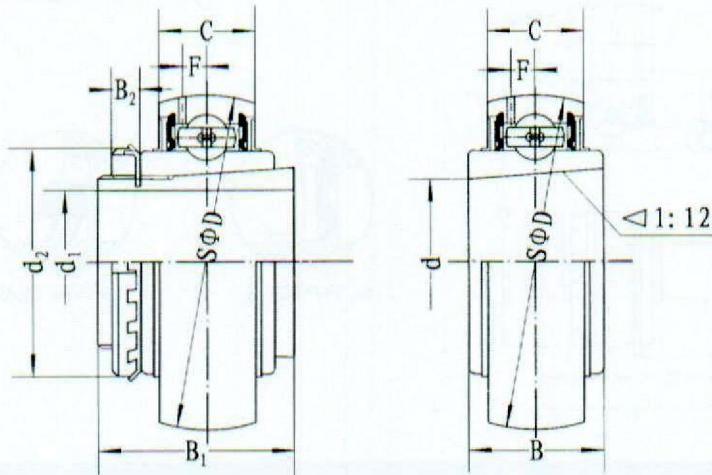


L3 TYPE SEAL

Unit No.	Dimensions <sup>mm</sup> / <sub>in.</sub>											Dynamic load ratings N	Static load ratings N	Weight (kg)
	d	D	B <sub>1</sub>	B	C	S	d <sub>1</sub>	G	B <sub>2</sub>	d <sub>s</sub>	F			
HC305	25	62	46.8	34.9	20	16.7	M8x1	6	15.9	42.8	5.4	22400	11500	0.43
HC305-13	13/16													
HC305-14	7/8	2.4409	1.843	1.3740	0.7874	0.657	5/16-24UNF	0.236	0.626	1.500	0.213			
HC305-15	15/16													
HC305-16	1													0.44
HC306	30	72	50	36.5	23	17.5	M8x1	7	17.5	50	5.7	26700	15000	0.69
HC306-17	1-1/16													
HC306-18	1-1/8	2.8346	1.969	1.4370	0.9055	0.689	5/16-24UNF	0.276	0.689	1.752	0.224			
HC306-19	1-3/16													
HC307	35	80	51.6	38.1	25	18.3	M8x1	7	17.5	55	6.2	33500	19100	0.80
HC307-20	1-1/4													
HC307-21	1-5/16	3.1496	2.031	1.5000	0.9843	0.720	5/16-24UNF	0.276	0.689	2.189	0.244			
HC307-22	1-3/8													
HC307-23	1-7/16													0.77
HC308	40	90	57.1	41.3	27	19.8	M10x1	8	20.6	63.5	7.0	40500	24000	1.08
HC308-24	1-1/2	3.5433	2.248	1.6260	1.0630	0.780	3/8-24UNF	0.315	0.811	2.374	0.276			
HC308-25	1-9/16													
HC309	45	100	58.7	42.9	30	19.8	M10x1	8	20.6	70	7.8			
HC309-26	1-5/8													
HC309-27	1-11/16	3.9370	2.311	1.6890	1.1811	0.780	3/8-24UNF	0.315	0.811	2.500	0.307			
HC309-28	1-3/4													
HC310	50	110	66.6	49.2	32	24.6	M10x1	9	22.2	76.2	8.5	61800	37900	1.86
HC310-29	1-13/16													
HC310-30	1-7/8	4.3307	2.622	1.9370	1.2598	0.969	3/8-24UNF	0.354	0.874	2.752	0.335			
HC310-31	1-15/16													
HC311	55	120	73.0	55.6	34	27.8	M10x1	9	22.2	83	9.2	71500	44700	2.34
HC311-32	2													
HC311-33	2-1/16	4.7244	2.874	2.1850	1.3386	1.094	3/8-24UNF	0.354	0.874	3.000	0.362			
HC311-34	2-1/8													
HC311-35	2-3/16													2.30
HC312	60	130	79.4	61.9	36	30.95	M10x1	9	23.9	89	9.8	81700	51800	2.94
HC312-36	2-1/4													
HC312-37	2-5/16	5.1181	3.126	2.4370	1.4173	1.219	3/8-24UNF	0.354	0.941	3.315	0.386			
HC312-38	2-3/8													
HC312-39	2-7/16													2.81
HC313	65	140	85.2	64.6	38	32.55	M12x1.5	10.5	27	97	10.5	92500	60000	3.64
HC313-40	2-1/2	5.5118	3.354	2.5433	1.4961	1.282	1/2-20UNF	0.413	1.063	3.819	0.413			
HC313-41	2-9/16													
HC314	70	150	92.1	68.3	40	34.15	M12x1.5	12	30.2	102	11.1			
HC314-42	2-5/8													
HC314-43	2-11/16	5.9055	3.626	2.6890	1.5748	1.344	1/2-20UNF	0.472	1.189	4.016	0.437			
HC314-44	2-3/4													
HC315	75	160	100	74.6	42	37.3	M16x1.5	13	31.8	113	11.8	113000	77000	5.30
HC315-45	2-1/4													
HC315-46	2-5/16	6.2992	3.937	2.9370	1.6535	1.469	5/8-18UNF	0.512	0.512	4.449	0.456			
HC315-47	2-3/8													
HC315-48	2-7/16													5.83
HC316	80	170	106.4	81	44	40.5	M16x1.5	13	31.8	119	12.5	123000	86500	6.66
HC316-49	3-1/16													
HC316-50	3-1/8	6.6929	4.189	3.1890	1.7323	1.594	5/8-18UNF	0.512	1.252	4.685	0.492			
HC316-51	3-3/16													
HC317	85	180	109.5	84.1	46	42.05	M16x1.5	13	31.8	127	13.1	123000	96500	7.95
HC317-52	3-1/4													
HC317-53	3-5/16	7.0866	4.311	3.3110	1.8110	1.656	5/8-18UNF	0.512	1.252	5.000	0.516			
HC317-55	3-7/16													
HC318	90	190	115.9	87.3	48	43.65	M20x1.5	14.5	36.5	133	13.8	144000	108000	9.06
HC318-55	3-7/16	7.4803	4.563	3.4370	1.8898	1.719	3/4-16UNF	0.571	1.437	5.236	0.543			
HC318-56	3-1/2													
HC319	95	200	122.3	93.7	50	38.9	M20x1.5	14.5	36.5	140	14.7			
HC319-58	3-5/8													
HC319-59	3-11/16	7.8740	4.815	3.6890	1.9685	1.531	3/4-16UNF	0.571	1.437	5.512	0.579			
HC319-60	3-3/4													
HC320	100	215	128.6	100	54	50	M20x1.5	14.5	36.5	146	15.7	173000	141000	13.43
HC320-64	4	8.4646	5.063	3.9370	2.1260	1.969	3/4-16UNF	0.571	1.437	5.748	0.618			

**Ball Bearings**  
(with adapter mounfed)

**UK3 (Heavy-duty)**



SL TYPE SEAL

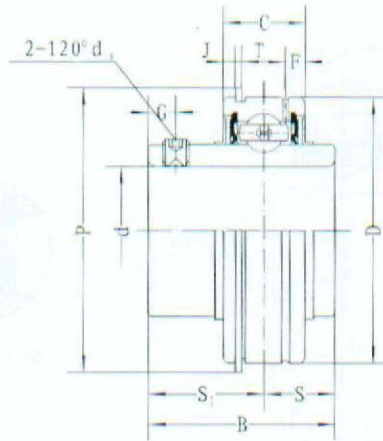


L3 TYPE SEAL

UK3+H,HA,HS,HE23

Unit No.	Dimensions <small>mm in.</small>									Dynamic load ratings N	Static load ratings N	Weight (kg)
	d	D	B	C	d <sub>1</sub>	B <sub>1</sub>	B <sub>2</sub>	d <sub>2</sub>	F			
UK305;H2305	25	62	26	20	20	35	8	38	5.4	22400	11500	0.39
UK305;HE2305	0.9843	2.4409	1.0236	0.7874	3/4	1.378	0.135	1.496	0.213			
UK306;H2306	30	72	29	23	25	38	8	45	5.7	26700	15000	0.59
UK306;HS2306	1.1811	2.8346	1.1417	0.9055	7/8	1.496	0.315	1.772	0.224			
UK306;HE2306					1							
UK307;H2307	35	80	33	25	30	43	9	52	6.2	33500	19100	0.75
UK307;HS2307	1.3780	3.1496	1.2992	0.9843	1-1/8	1.693	0.354	2.047	0.244			
UK308;H2308	40	90	34	27	35	46	10	58	7.0	40500	24000	1.00
UK308;HE2308	1.5748	3.5433	1.3386	1.0630	1-1/4	1.811	0.394	2.283	0.276			
UK308;HS2308					1-3/8							
UK309;H2309	45	100	37	30	45	55	12	70	8.5	52800	31800	1.35
UK309;HA2309					1-7/16							
UK309;HE2309	1.7717	3.9370	1.4567	1.1611	1-1/2	1.969	0.433	2.559	0.307			
UK309;HS2309					1-5/8							
UK310;H2310	50	110	41	32	45	55	12	70	8.5	61800	37900	1.77
UK310;HS2310					1-5/8							
UK310;HA2310	1.9685	4.3307	1.6142	1.2598	1-11/16	2.165	0.472	2.756	0.335			
UK310;HE2310					1-3/4							
UK311;H2311	55	120	44	34	50	59	12	75	9.2	71500	44700	2.21
UK311;HS2311					1-7/8							
UK311;HA2311	2.1654	4.7244	1.7323	1.3386	1-15/16	2.323	0.472	2.953	0.362			
UK311;HE2311					2							
UK312;H2312	60	130	47	36	55	62	13	80	9.8	81700	51800	2.54
UK312;HS2312	2.3622	5.1181	1.8504	1.4173	2-1/8	2.441	0.512	3.150	0.386			
UK313;H2313	65	140	49	38	60	65	14	85	10.5	92500	60000	3.27
UK313;HA2313					2-3/16							
UK313;HE2313	2.5591	5.5118	1.9291	1.4961	2-1/4	2.559	0.551	3.346	0.413			
UK313;HS2313					2-3/8							
UK315;H2315	75	160	55	42	65	73	15	98	11.8	113000	77000	4.85
UK315;HA2315					2-7/16							
UK315;HE2315	2.9528	6.2992	2.1654	1.6535	2-1/2	2.874	0.591	3.858	0.465			
UK316;H2316	80	170	55	44	70	78	17	105	12.5	123000	86500	5.67
UK316;HA2316					2-11/16							
UK316;HE2316	3.1496	6.6929	2.1654	1.7323	2-3/4	3.071	0.669	4.134	0.492			
UK317;H2317	85	180	60	46	75	82	18	110	13.1	132600	96500	6.75
UK317;HA2317					2-15/16							
UK317;HE2317	3.3465	7.0866	2.1654	1.8110	3	3.228	0.709	4.331	0.516			
UK318;H2318	90	190	63	48	80	86	18	120	13.8	144000	108000	7.99
UK318;HA2318					3-3/16							
UK318;HE2318	3.5433	7.4803	2.4800	1.8898	3-3/16	3.386	0.709	4.724	0.441			
UK319;H2319	95	200	66	50	85	90	19	125	14.7	156600	122000	9.23
UK319;HA2319					3-5/16							
UK319;HE2319	3.7402	7.8740	2.5984	1.9685	3-5/16	3.543	0.748	8.465	0.579			
UK320;H2320	100	215	68	54	90	97	20	130	15.7	173000	141000	10.85
UK320;HA2320					3-7/16							
UK320;HE2320	3.9370	8.4646	2.6771	2.1260	3-7/16	3.814	0.787	5.118	0.618			
UK322;H2322	110	240	78	60	100	105	21	145	17.7	205000	179000	14.94
UK322;HA2322					3-15/16							
UK322;HE2322	4.3307	9.4488	3.0709	2.3622	3-15/16	4.134	0.827	5.709	0.697			
UK324;H2324	120	260	87	64	110	112	22	155	19	227000	207000	19.29
UK324;HA2324					4-3/16							
UK324;HE2324	4.7244	10.2362	3.4252	2.5197	4-3/16	4.410	0.866	6.102	0.748			
UK326;H2326	130	280	87	68	115	121	23	165	20	253000	241000	23.4
UK326;HA2326					4-7/16							
UK326;HE2326	5.1181	11.0236	3.4252	2.6771	4-7/16	4.764	0.906	6.496	0.787			
UK328;H2328	140	300	97	72	125	131	24	180	22	274000	272000	29.45
UK328;HA2328					4-15/16							
UK328;HE2328	5.5118	11.8110	3.8189	2.8189	4-15/16	5.158	0.945	7.087	0.866			



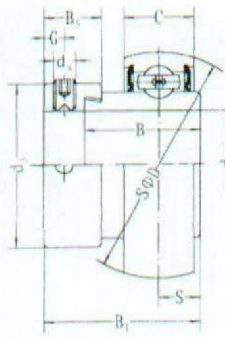


Suffix UNF: Inch sized set screws

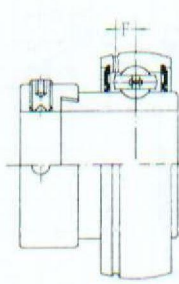
Bearing No.	Dimensions												Dynamic load ratings N	Static load ratings N	Weight (kg)		
	d	D	B	C	S	S <sub>1</sub>	T	F	J	P	G	d <sub>1</sub>					
SER201	12																0.22
SER201-8	1/2																
SER202	15	47	31	15.9	10.3	20.7	1.12	3.8	2.46	52.7	4.8	M6x1	12800	6650		0.22	
SER202-10	5/8	1.8504	1.2205	0.6260	0.406	0.815	0.044	0.150	0.097	2.057	0.189	1/4-28UNF					
SER203	17																
SER204	20	47	31	15.9	10.3	20.7	1.12	3.8	2.46	52.7	4.8	M6 x 1	12800	6650		0.21	
SER204-12	3/4	1.8504	1.2205	0.6260	0.406	0.815	0.044	0.150	0.097	2.075	0.189	1/4-28UNF					
SER205	25	52	34.9	19	13.1	21.8	1.12	5.2	2.46	57.9	5		14000	7850		0.27	
SER205-13	13/16											M6 x 1					
SER205-14	7/8	2.0472	1.3740	0.7480	0.516	0.858	0.044	0.205	0.097	2.280	0.197	1/4-28UNF					
SER205-15	15/16																
SER205-16	1																
SER206	30	62	38.1	22.2	15.9	22.2	1.7	5.6	3.28	67.7	5		19500	11300		0.39	
SER206-17	1-1/16											M6 x 1					
SER206-18	1-1/8	2.4409	1.5000	0.8740	0.626	0.874	0.067	0.220	0.129	2.665	0.197	1/4-28UNF					
SER206-19	1-3/16																
SER206-20	1-1/4																
SER207	35	72	42.9	23.8	17.5	25.4	1.7	5.6	3.28	78.6	6.7		25700	15300		0.63	
SER207-20	1-1/4											M8 x 1					
SER207-21	1-5/16											5/16-24UNF					
SER207-22	1-3/8	2.8346	1.6890	0.9370	0.689	1.000	0.067	0.220	0.129	3.094	0.264						
SER207-23	1-7/16																
SER208	40	80	49.2	27.8	19	30.2	1.7	6.4	3.28	86.6	8		29500	18100		0.81	
SER208-24	1-1/2	3.1496	1.9370	1.0945	0.748	1.189	0.067	0.252	0.129	3.409	0.315	M8 x 1					
SER208-25	1-9/16											5/16-24UNF					
SER209	45	85	49.2	27.8	19	30.2	1.7	6.4	3.28	91.6	8		31600	20600		0.90	
SER209-26	1-5/8											M8 x 1					
SER209-27	1-11/16	3.3465	1.9370	1.0945	0.748	1.189	0.067	0.252	0.129	3.606	0.315	5/16-24UNF					
SER209-28	1-3/4																
SER210	50	90	51.6	28.6	19	32.6	2.46	7.5	3.28	96.5	10		35000	23200		0.98	
SER210-29	1-13/16											M10 x 1					
SER210-30	1-7/8	3.5433	2.0315	1.1260	0.748	1.283	0.097	0.295	0.129	3.799	0.394	3/8-24UNF					
SER210-31	1-15/16																
SER210-32	2																
SER211	55	100	55.6	30.2	22.2	33.4	2.46	7.5	3.28	106.5	10		43500	29200		1.40	
SER211-32	2											M10 x 1					
SER211-33	2-1/16											3/8-24UNF					
SER211-34	2-1/8	3.9370	2.1890	1.1890	0.874	1.315	0.097	0.295	0.129	4.193	0.394						
SER211-35	2-3/16																
SER212	60	110	65.1	31.8	25.4	39.7	2.46	7.5	3.28	1116.6	10		47700	32900		1.89	
SER212-36	2-1/4											M10 x 1					
SER212-37	2-5/16											3/8-24UNF					
SER212-38	2-3/8	4.3307	2.5630	1.2520	1.000	1.563	0.097	0.295	0.129	4.591	0.394						
SER212-39	2-7/16																

**Ball Bearings**  
(with eccentric locking collar)

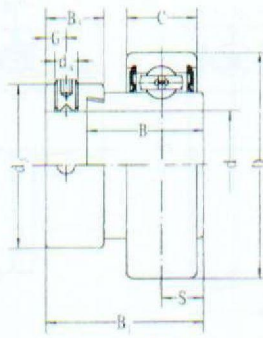
**SA2 (Light-duty)**



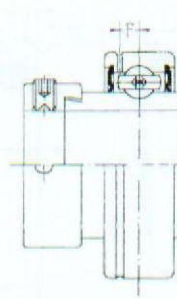
SA2



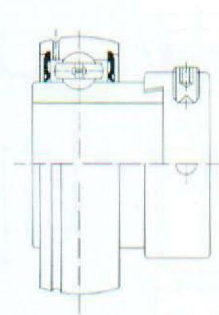
SA2G



CSA2



CSA2G



SA2RG



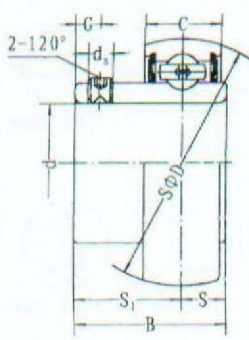
J TYPE SEAL



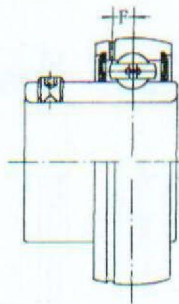
h TYPE SEAL

Suffix UNF: Inch sized set screws

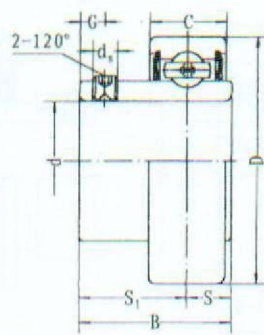
Bearing No.	Dimensions										Dynamic load ratings N	Static load ratings N	Weight (kg)
	d	D	B <sub>1</sub>	B	C	S	mm In.	d <sub>s</sub>	G	B <sub>s</sub>			
SA201	12	40	28.6	19.1	12	6.5	M6 x 1	4.8	13.5	28.6	9600	4600	0.12
SA201-8	1/2	1.5748	1.126	0.7520	0.4724	0.256	1/4-28UNF	0.189	0.531	1.126			
SA202	15	40	28.6	19.1	12	6.5	M6 x 1	4.8	13.5	28.6	9600	4600	0.10
SA202-9	9/16												
SA202-10	5/8	1.5748	1.126	0.7520	0.4724	0.256	1/4-28UNF	0.189	0.531	1.126			
SA203	17	40	28.6	19.1	12	6.5	M6 x 1	4.8	13.5	28.6	9600	4600	0.09
SA203-11	11/16	1.5748	1.126	0.7520	0.4724	0.256	1/4-28UNF	0.189	0.531	1.126			
SA204	20	47	31	21.5	14	7.5	M6 x 1	4.8	13.5	33.3	12800	6650	0.16
SA204-12	3/4	1.8504	1.220	0.8465	0.5512	0.295	1/4-28UNF	0.189	0.531	1.311			
SA205	25	52	31	21.5	15	7.5	M6 x 1	4.8	13.5	38.1	14000	7850	0.20
SA205-13	13/16												
SA205-14	7/8												
SA205-15	15/16	2.0472	1.220	0.8465	0.5906	0.295	1/4-28UNF	0.189	0.531	1.500			
SA205-16	1												
SA206	30	62	35.7	23.8	16	9	M8 x 1	6	15.9	44.5	19500	11300	0.30
SA206-17	1-1/16												
SA206-18	1-1/8												
SA206-19	1-3/16	2.4409	1.406	0.9370	0.6299	0.354	5/16-24	0.236	0.626	1.752			
SA206-20	1-1/4												
SA207	35	72	38.9	25.4	17	9.5	M8 x 1	6.8	17.5	55.6	25700	15300	0.42
SA207-20	1-1/4												
SA207-21	1-5/16												
SA207-22	1-3/8	2.8346	1.531	1.000	0.6693	0.374	5/16-24UNF	0.268	0.689	2.189			
SA207-23	1-7/16												
SA208	40	80	43.7	30.2	18	11	M8 x 1	6.8	18.3	60.3	29500	18100	0.60
SA208-24	1-1/2												
SA208-25	1-9/16	3.1496	1.721	1.1890	0.7087	0.433	5/16-24UNF	0.268	0.720	2.374			
SA209	45	85	43.7	30.2	19	11	M8 x 1	6.8	18.3	63.5	31600	20600	0.76
SA209-26	1-5/8												
SA209-27	1-11/16												
SA209-28	1-3/4	3.3465	1.721	1.1890	0.7480	0.433	5/16-24UNF	0.268	0.720	2.500			
SA210	50	90	43.7	30.2	20	11	M8 x 1	6.8	18.3	69.9	35000	23200	0.91
SA210-29	1-13/16												
SA210-30	1-7/8												
SA210-31	1-15/16	3.5433	1.721	1.1890	0.7874	0.433	5/16-24UNF	0.268	0.720	2.752			
SA210-32	2												
SA211	55	100	48.4	32.5	21	12	M10x1	8	20.7	76.2	43500	29800	1.26
SA211-32	2												
SA211-33	2-1/16												
SA211-34	2-1/8	3.9370	1.906	1.2795	0.8268	0.472	3/8-24UNF	0.315	0.815	3.000			
SA211-35	2-3/16												
SA212	60	110	53.1	37.2	22	13.5	M10 x 1	8	22.3	84.2	47700	32900	1.70
SA212-36	2-1/4												
SA212-37	2-5/16												
SA212-38	2-3/8	4.3307	2.091	1.4646	0.8661	0.532	3/8-24UNF	0.315	0.878	3.315			
SA212-39	2-7/16												



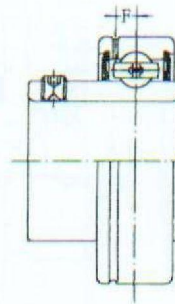
SB2



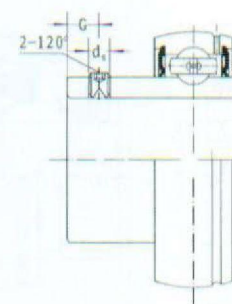
SB2G



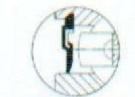
CSB2



CSB2G



SB2RG



J TYPE SEAL



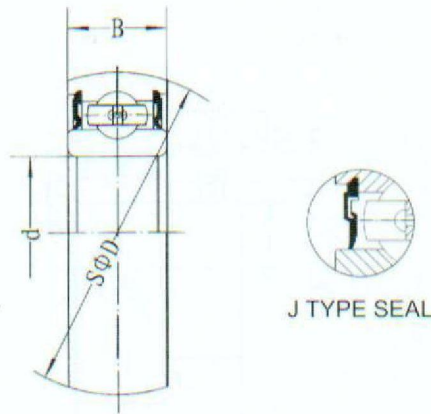
h TYPE SEAL

Suffix UNF: Inch sized set screws

Bearing No.	Dimensions <sup>mm</sup> <sub>In.</sub>								Dynamic load ratings N	Dynamic static load ratings N	Weight (kg)							
	d	D	B	C	S	S <sub>1</sub>	d <sub>s</sub>	G										
SB201	12	40	22	12	6	16	M5 x 0.8	4.5	9600	4600	0.10							
SB201-8	1/2	1.5748	0.8661	0.4724	0.236	0.630	10 <sup>#</sup> -32	0.177										
SB202	15	40	22	12	6	16	M5 x 0.8	4.5	7360	4480	0.10							
SB202-9	9/16	1.5748	0.8661	0.4724	0.236	0.630	10 <sup>#</sup> -32	0.177										
SB202-10	5/8																	
SB203	17	40	22	12	6	16	M5 x 0.8	4.5	9600	4600	0.09							
SB203-11	11/16	1.5748	0.8661	0.4724	0.236	0.630	10 <sup>#</sup> -32	0.177										
SB204	20	47	25	14	7	18	M6 x 1	4.5	12800	6650	0.13							
SB204-12	3/4	1.8504	0.9843	0.5512	0.276	0.709	1/4-28UNF	0.177										
SB205	25	52	27	15	7.5	19.5	M6 x 1	5.5	14000	7850	0.16							
SB205-13	13/16	2.0472	1.0630	0.5906	0.295	0.768	1/4-28UNF	0.217										
SB205-14	7/8																	
SB205-15	15/16																	
SB205-16	1																	
SB206	30											62	30	16	8	22	M6 x 1	6
SB206-17	1-1/16								2.4409	1.1811	0.8299	0.315	0.866	1/4-28UNF	0.236	19500	11300	0.25
SB206-18	1-1/8																	
SB206-19	1-3/16																	
SB206-20	1-1/4																	
SB207	35	72	32	17	8.5	23.5	M8 x 1	6.5										
SB207-20	1-1/4	2.8346	1.2598	0.6693	0.335	0.925	5/16-24UNF	0.256										
SB207-21	1-5/16																	
SB207-22	1-3/8																	
SB207-23	1-7/16																	
SB208	40	80	34	18	9	25	M8 x 1	7	29500	18100	0.60							
SB208-24	1-1/2	3.1496	1.3386	0.7087	0.354	0.984	5/16-24UNF	0.276										
SB208-25	1-9/16																	
SB209	45	85	41.2	19	10.2	31	M8 x 1	8.2	31600	20600	0.8							
SB209-26	1-5/8	3.3465	1.6220	0.7480	0.402	1.220	5/16-24UNF	0.323										
SB209-27	1-11/16																	
SB209-28	1-3/4																	
SB210	50								90	43.5	20	10.9	32.6	M10 x 1	9.2	35000	23200	0.8
SB210-29	1-13/16	3.5433	1.7126	0.7874	0.429	1.283	3/8-24UNF	0.362										
SB210-30	1-7/8																	
SB210-31	1-15/16																	
SB210-32	2																	
SB211	55								100	45.3	21	11.8	33.5	M10 x 1	9.8	43500	25200	1.1
SB211-32	2	3.9370	1.7835	0.8268	0.465	1.319	3/8-24UNF	0.386										
SB211-33	2-1/16																	
SB211-34	2-1/8																	
SB211-35	2-3/16																	
SB212	60								110	53.7	22	14.9	38.8	M10 x 1	9.8	47700	32900	1.3
SB212-36	2-1/4	4.3307	2.1142	0.8661	0.587	1.528	3/8-24UNF	0.386										
SB212-37	2-5/16																	
SB212-38	2-3/8																	
SB212-39	2-7/16																	

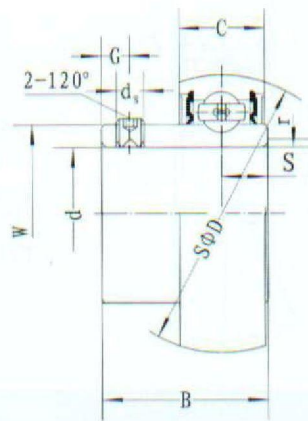
Ball Bearings

SC2 (Light-duty)  
SC3 (Heavy-duty)

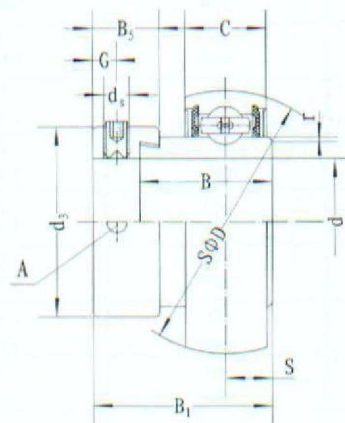


J TYPE SEAL

Bearing No	Dimensions <small>mm</small> <small>in.</small>			Dynamic load ratings N	static load ratings N	Weight (kg)
	d	D	B			
SC200	10 0.3937	30 1.1811	9 0.3543	5100	2230	0.031
SC201	12 0.4724	32 1.2598	10 0.3937	6800	3050	0.033
SC202	15 0.5906	35 1.3780	11 0.4331	7600	3490	0.043
SC203	17 0.6693	40 1.5748	12 0.4724	9600	4600	0.061
SC204	20 0.7874	47 1.8504	14 0.5512	12800	6650	0.098
SC205	25 0.9843	52 2.0473	15 0.5906	14000	7850	0.122
SC206	30 1.1181	62 2.4472	16 0.6299	19500	11300	0.195
SC207	35 1.3780	72 2.8346	17 0.6693	25700	15300	0.280
SC208	40 1.5748	80 3.1496	18 0.7087	29500	18100	0.358
SC209	45 1.7717	85 3.3485	19 0.7480	31600	20600	0.405
SC210	50 1.9685	90 3.5433	20 0.7874	35000	23200	0.449
SC211	55 2.1654	100 3.9370	21 0.8268	43500	29200	0.589
SC212	60 2.3622	110 4.3307	22 0.8661	47700	32900	0.774
SC302	15 0.5906	42 1.6535	13 0.5118	11440	5430	0.076
SC303	17 0.6693	47 1.8504	14 0.5512	13585	6560	0.105
SC304	20 0.7874	52 2.0472	15 0.5906	15938	7810	0.137
SC305	25 0.9843	62 2.4409	17 0.6693	22400	11500	0.211
SC306	30 1.1181	72 2.8346	19 0.7480	26700	15000	0.338
SC307	35 1.3780	80 3.1496	21 0.8268	33500	19100	0.439
SC308	40 1.5748	90 3.5433	23 0.9055	40500	24000	0.618
SC309	45 1.7717	100 3.9370	25 0.9843	52800	31800	0.810
SC310	50 1.9685	110 4.3307	27 1.0630	61800	37900	1.048
SC311	55 2.1654	120 4.7244	29 1.1417	71500	44700	1.326
SC312	60 2.3622	130 5.1181	31 1.2205	81700	51800	1.659



Bearing NO.	Dimensions-mm							Dynamic load ratings N	static load ratings N	weight (kg)
	d	D	B	C	S	G	ds			
K 000	10	26	14	8	4	3	M3 x 0.35	4600	1960	0.02
K 001	12	28	14.5	8	4	3	M3 x 0.35	5090	2400	0.03
K 002	15	32	16.5	9	4.5	3.5	M4 x 0.50	5580	2840	0.04
K 003	17	35	17.5	10	5	3.5	M4 x 0.50	5970	3280	0.05
K 004	20	42	21	12	6	4	M5 x 0.50	9350	5040	0.09
K 005	25	47	22.5	12	6	4.5	M5 x 0.50	10090	5830	0.10
K 006	30	55	24.5	13	6.5	5	M5 x 0.50	13230	8280	0.15


**U000(Lihgt-daty)**
**Ball Bearings  
(with eccentric locking collar)**

Bearing NO.	Dimensions-mm										Dynamic load ratings N	static load ratings N	weight (kg)
	d	D	B1	B	C	S	B5	d3	G	ds			
U 000	10	26	17.5	11	8	4	8.5	17	3.5	M4 x 0.7	4600	1960	0.03
U 001	12	28	17.5	11	8	4	8.5	19	3.5	M4 x 0.7	5090	2400	0.04
U 002	15	32	18.5	12	9	4.5	8.5	22	3.5	M4 x 0.7	5580	2840	0.05
U 003	17	35	20.5	13.5	10	5	9.5	25	3.5	M4 x 0.7	5970	3280	0.06
U 004	20	42	24.5	16.5	12	6	11	30	5	M5 x 0.8	9350	5040	0.10
U 005	25	47	25.5	17.5	12	6	12	36	5	M5 x 0.8	10090	5830	0.14
U 006	30	55	26.5	18.5	13	6.5	12	42	5	M5 x 0.8	13230	8280	0.14
U 007	35	62	29.5	20	14	7	13.5	48	5	M6 x 0.75	15920	10290	0.25