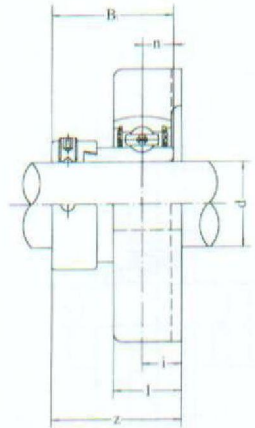


SAFD2
(SA2-Fitted)

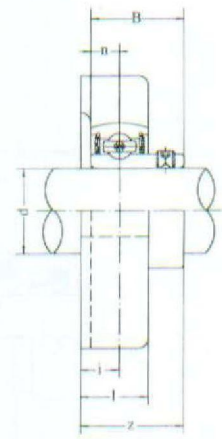
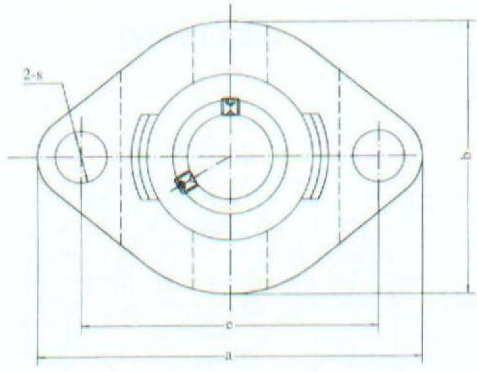
Flange Unit

SBFD2
(SB2-Fitted)

(Light duty)



SAFD

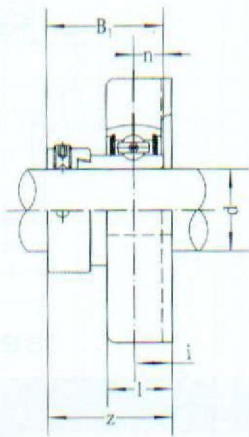


SBFD

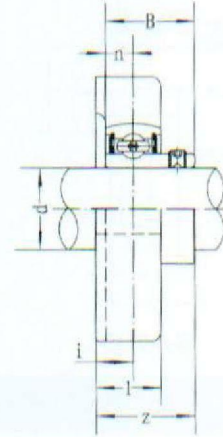
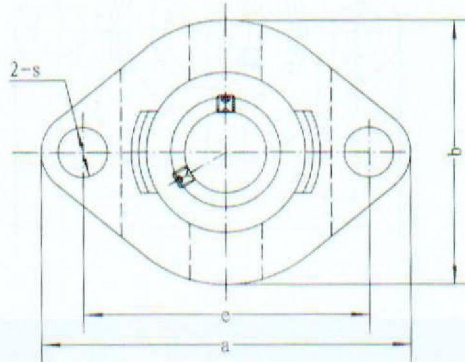
Unit No.	Dimensions								Bearing Size mm In.	SAFD				SBFD				Housing No.	
	d	a	e	b	l	s	l	z		B	n	Bearing No.	Weight (kg)	z	B	n	Bearing No.		Weight (kg)
SAFD SBFD 201	12	81	63	59	8.5	7	15	M6	30.6	28.6	6.5	SA201		24	22	6	SB201		FD203
201-8	1/2											SA201-8					SB201-8		
202	15											SA202					SB202		
202-9	9/16	3-3/16	2-31/64	2-21/64	21/64	9/32	19/32	1/4	1-13/64	1.1260	0.2559	SA202-9	0.3	61/64	0.8661	0.2362	SB202-9	0.3	
202-10	5/8											SA202-10					SB202-10		
203	17											SA203					SB203		
203-11	11/16											SA203-11					SB203-11		
SAFD SBFD 204	20	90	71	67	9.5	10	17	M8	33	31	7.5	SA204		27.5	25	7	SB204		
204-12	3/4	3-35/64	2-51/64	2-41/64	3/8	25/64	43/64	5/16	1-19/64	1.2204	0.2953	SA204-12	0.5	1-5/64	0.9843	0.2756	SB204-12	0.4	
SAFD SBFD 205	25	95	76	71	9.5	10	17	M8	33	31	7.5	SA205		29	27	7.5	SB205		FD205
205-13	13/16											SA205-13					SB205-13		
205-14	7/8	3-3/4	2-63/64	2-51/64	3/8	25/64	43/64	5/16	1-19/64	1.2204	0.2953	SA205-14	0.5	1-9/64	1.0630	0.2853	SB205-14	0.5	
205-15	15/16											SA205-15					SB205-15		
205-16	1											SA205-16					SB205-16		
SAFD SBFD 206	30	113	90	84	12	12	21	M10	38.7	35.7	9	SA206		34	30	8	SB206		FD206
206-17	1-1/16											SA206-17					SB206-17		
206-18	1-1/8	4-7/16	3-35/64	3-5/16	15/32	15/32	53/64	3/8	1-17/32	1.4055	0.3543	SA206-18	0.8	1-11/32	1.1811	0.3150	SB206-18	0.8	
206-19	1-3/16											SA206-19					SB206-19		
206-20	1-1/4											SA206-20					SB206-20		
SAFD SBFD 207	35	125	100	94	12.5	12	22	M10	41.9	38.9	9.5	SA207		36	32	8.5	SB207		FD207
207-20	1-1/4											SA207-20					SB207-20		
207-21	1-5/16	4-59/64	3-15/16	3-45/64	1/2	15/32	7/8	3/8	1-21/32	1.5315	0.3740	SA207-21	1.0	1-27/64	1.2598	0.3346	SB207-21	0.9	
207-22	1-3/8											SA207-22					SB207-22		
207-23	1-7/16											SA207-23					SB207-23		



(Light duty)



SAFW



SBFW

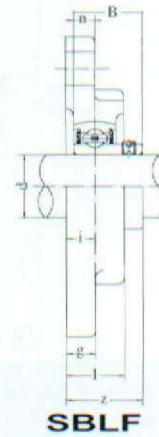
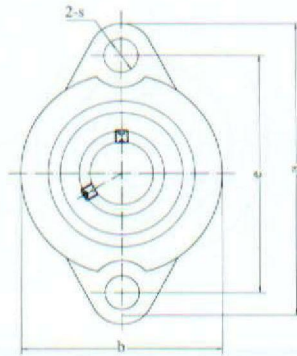
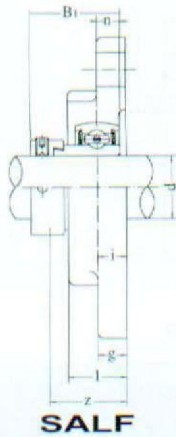
Unit No.	Dimensions ^{mm} / _{in.}								Ball Size ^{mm} / _{inch}	SAFW2				SBFW2				Housing No.				
	d	a	e	b	i	s	l	z		B ₁	n	Bearing No.	Weight (kg)	z	B	n	Bearing No.		Weight (kg)			
SAFW SBFW	201	12	81	63.5	58.7	8.5	7	15	M6	30.6	28.6	6.5	SA201	0.3	24.5	22	6	SB201	0.3	FW203		
	201-8	1/2										SA201-8						SB201-8				
	202	15										SA202						SB202				
	202-9	9/16	3-3/16	2-1/2	2-5/16	21/64	9/32	19/32	1/2	1-13/64	1.1260	0.2559	SA202-9			31/32	0.8661	0.2362			SB202-9	
	202-10	5/8											SA202-10								SB202-10	
	203	17											SA203								SB203	
	203-11	11/16											SA203-11					SB203-11				
SAFW SBFW	204	20	90.5	71.4	66.5	9.5	9	17	M8	33	31	7.5	SA204	0.5	27.5	25	7	SB204	0.4	FW204		
	204-12	3/4	3-9/16	2-13/16	2-5/8	3/8	23/64	5/16	1-19/64	1.2204	0.2953	SA204-12			1-5/64	0.9843	0.2756	SB204-12				
SAFW SBFW	205	25	97	76.2	71	9.5	9	17.5	M8	33	31	7.5	SA205	0.5	29	27	7.5	SB205	0.5	FW205		
	205-13	13/16											SA205-13								SB205-13	
	205-14	7/8	3-13/16	3	2-51/64	3/8	23/64	11/16	5-16	1-19/64	1.2204	0.2953	SA205-14			1-9/64	1.0630	0.2953			SB205-14	
	205-15	15/16											SA205-15								SB205-15	
	205-16	1											SA205-16								SB205-16	
SAFW SBFW	206	30	112.5	90.5	84	11.5	11.5	20.5	M10	38.2	35.7	9	SA206	0.8	33.5	30	8	SB206	0.8	FW206		
	206-17	1-1/16											SA206-17								SB206-17	
	206-18	1-1/8	4-7/16	3-9/16	3-5/16	29/64	13/16	3/8	3/8	1-1/2	1.4055	0.3543	SA206-18			1-5/16	1.1811	0.3150			SB206-18	
	206-19	1-3/16											SA206-19								SB206-19	
	206-20	1-1/4											SA206-20								SB206-20	
SAFW SBFW	207	35	126	100	94	12.5	11.5	22	M10	41.9	38.9	9.5	SA207	1.0	36	32	8.5	SB207	0.9	FW207		
	207-20	1-1/4											SA207-20								SB207-20	
	207-21	1-5/16	4-61/64	3-15/16	3-45/64	1/2	59/64	7/8	3/8	1-21/32	1.5315	0.3740	SA207-21			1-27/64	1.2598	0.3364			SB207-21	
	207-22	1-3/8											SA207-22								SB207-22	
	207-23	1-7/16											SA207-23								SB207-23	
SAFW SBFW	208	40	150	119	100	14.5	14	24	M12	47.2	43.7	11	SA208	1.4	39.5	34	9	SB208	1.4	FW208		
	208-24	1-1/2	5-29/32	4-11/16	3-15/16	9/16	35/64	15/16	1/2	1-55/64	1.7205	0.4331	SA208-24			1-9/16	1.3386	0.3543			SB208-24	
	208-25	1-9/16											SA208-25								SB208-25	

SALF2
(SA2-Fitted)

Flange Unit

SBLF2
(SB2-Fitted)

(Light duty)



Unit No.	Dimensions mm In.								Bearing Size mm inch	SALF			Weight (kg)	SBLF			Housing No.			
	d	a	e	b	i	s	g	l		z	B ₁	n		Bearing No.	z	B		n	Bearing No.	Weight (kg)
SALF SBLF 201	12	81	63.5	56	9.5	8	9.5	18	M6	31.6	28.6	6.5	0.3	25.5	22	6	0.3	LF203		
201-8	1/2											SA201-8							SB201-8	
202	15											SA202							SB202	
202-9	9/16	3-3/16	2-1/2	2-13/64	3/8	5/16	3/8	45/64	1/4	1-1/4	1.1260	0.2559		SA202-9	1	0.8661			0.2362	SB202-9
202-10	5/8													SA202-10						SB202-10
203	17													SA203						SB203
203-11	11/16													SA203-11						SB203-11
SALF SBLF 204	20	90	71.5	61	11	10	11	20	M8	34.5	31	7.5	0.4	29	25	7	0.3	LF204		
204-12	3/4	3-35/64	2-13/16	2-13/32	7/16	25/64	7/16	25/32	5/16	1-23/64	1.2204	0.2953		SA204-12	1-9/64	0.9843			0.2756	SB204-12
SALF SBLF 205	25	95	76	64	11	10	11	20	M8	34.5	31	7.5	0.5	30.5	27	7.5	0.4	LF205		
205-13	13/16													SA205-13						SB205-13
205-14	7/8	3-3/4	2-63/64	2-33/64	7/16	25/64	7/16	25/32	5/16	1-23/64	1.2204	0.2953		SA205-14	1-13/64	1.0630			0.2953	SB205-14
205-15	15/16													SA205-15						SB205-15
205-16	1													SA205-16						SB205-16
SALF SBLF 206	30	113	90.5	76	12	12	12	22.5	M10	38.7	35.7	9	0.7	34	30	8	0.6	LF206		
206-17	1-1/16													SA206-17						SB206-17
206-18	1-1/8	4-7/16	3-9/16	3	15/32	15/32	15/32	57/64	3/8	1-33/64	1.4055	0.3543		SA206-18	1-11/32	1.1811			0.3150	SB206-18
206-19	1-3/16													SA206-19						SB206-19
206-20	1-1/4													SA206-20						SB206-20
SALF SBLF 207	35	122	100	89	13	12	13	24	M10	42.4	38.9	9.5	0.9	36.5	32	8.5	0.8	LF207		
207-20	1-1/4													SA207-20						SB207-20
207-21	1-5/16	4-13/16	3-15/16	3-1/2	33/64	15/32	33/64	61/64	3/8	1-43/64	1.5315	0.3740		SA207-21	1-7/16	1.2598			0.3346	SB207-21
207-22	1-3/8													SA207-22						SB207-22
207-23	1-7/16													SA207-23						SB207-23