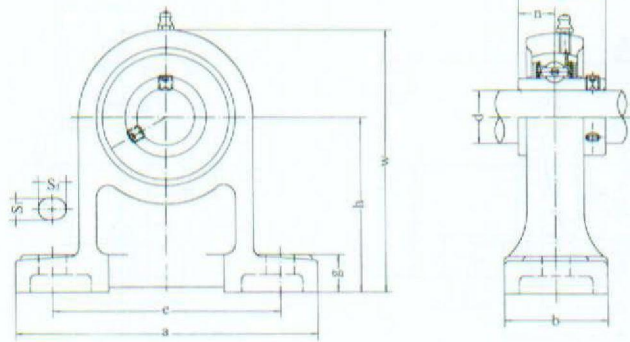
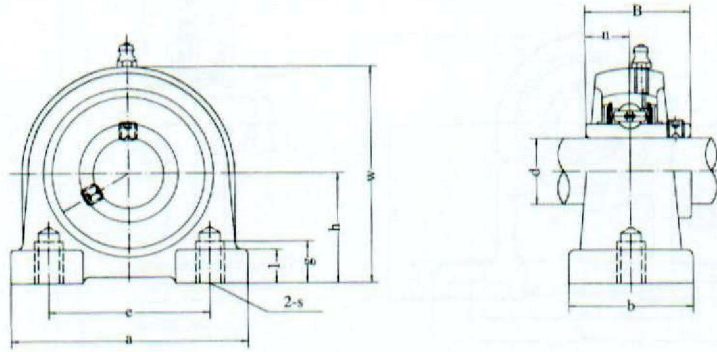


**Pillow Blocks**  
with setscrews

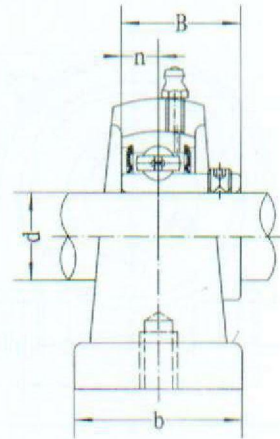
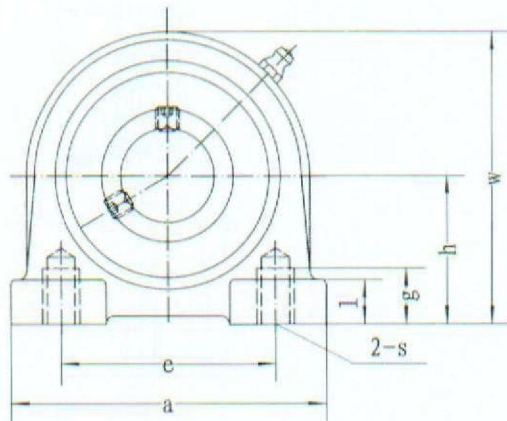
**UCPH2 (Normal-duty)**



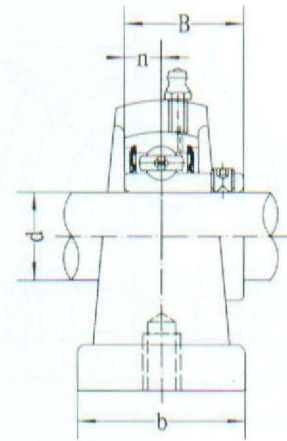
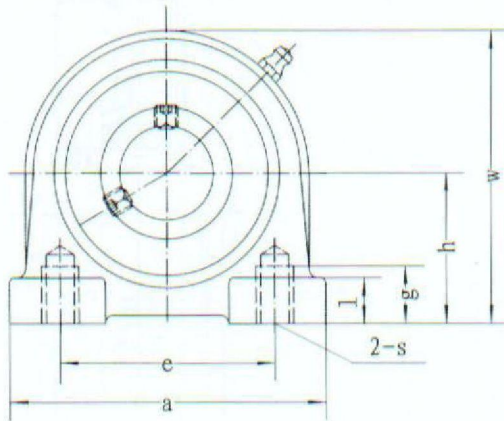
Unit No.	Dimensions <sup>mm</sup> <sub>in.</sub>											Bolt Size <sup>mm</sup> <sub>inch</sub>	Bearing No.	Housy No.	Weigh (kg)	
	d	h	a	e	b	s <sub>1</sub>	s <sub>2</sub>	g	w	B	n					
UCPH201	12	70	127	95	40	13	19	15	101	31	12.7	M10	UC201	PH204	0.81	
UCPH201-8	1 1/2												UC201-8		0.80	
UCPH202	15												UC202		0.80	
UCPH202-9	9/16												UC202-9		0.80	
UCPH202-10	5/8	2-3/4	5	3-3/4	1-9/16	1/2	3/4	19/32	3-63/64	1.2205	0.500	3/8	UC202-10		0.80	
UCPH203	17												UC203		0.79	
UCPH203-11	11/16												UC203-11		0.78	
UCPH204	20												UC204		0.77	
UCPH204-12	3/4												UC204-12		0.77	
UCPH205	25	80	140	105	50	13	19	16	114	34.1	14.3	M10	UC205		PH205	1.01
UCPH205-13	13/16												UC205-13			1.05
UCPH205-14	7/8	3-5/32	5-1/2	4-1/8	1-31/32	1/2	3/4	5/8	4-31/64	1.3425	0.563	3/8	UC205-14			1.04
UCPH205-15	15/16												UC205-15	1.02		
UCPH205-16	1												UC205-16	1.01		
UCPH206	30	90	161	121	50	17	21	17	130	38.1	15.9	M14	UC206	PH206		1.47
UCPH206-17	1-1/16												UC206-17		1.50	
UCPH206-18	1-1/8	3-35/64	6-11/32	4-3/4	1-31/32	43/64	53/64	43/64	5-1/8	1.5000	0.626	1/2	UC206-18		1.49	
UCPH206-19	1-3/16												UC206-19		1.47	
UCPH206-20	1-1/4												UC206-20		1.46	
UCPH207	35	95	166	127	60	17	21	18	140	42.9	17.5	M14	UC207		PH207	1.91
UCPH207-20	1-1/4												UC207-20	1.97		
UCPH207-21	1-5/16	3-47/64	6-17/32	5	2-23/64	43/64	53/64	45/64	5-33/64	1.6890	0.689	1/2	UC207-21	1.94		
UCPH207-22	1-3/8												UC207-22	1.91		
UCPH207-23	1-7/16												UC207-23	1.88		
UCPH208	40	100	178	137	70	17	21	19	150	49.2	19	M14	UC208	PH208		2.52
UCPH208-24	1-1/2	3-15/16	7-1/64	5-13/32	2-3/4	43/64	53/64	3/4	6-29/32	1.9370	0.748	1/2	UC208-24		2.56	
UCPH208-25	1-9/16												UC208-25		2.53	
UCPH209	45	105	189	146	70	17	21	20	158	49.2	19	M14	UC209		PH209	2.72
UCPH209-26	1-5/8	4-9/64	7-7/16	5-3/4	2-3/4	43/64	53/64	25/32	6-7/32	1.9370	0.748	1/2	UC209-26	2.82		
UCPH209-27	1-11/16												UC209-27	2.78		
UCPH209-28	1-3/4												UC209-28	2.74		
UCPH210	50	110	205	159	70	20	23	21	165	51.6	19	M16	UC210	PH210	3.10	
UCPH210-29	1-13/16												UC210-29		3.22	
UCPH210-30	1-7/8	4-21/64	8-5/64	6-1/4	2-3/4	25/32	29/32	53/64	6-1/2	2.0315	0.748	5/8	UC210-30		3.17	
UCPH210-31	1-15/16												UC210-31		3.12	
UCPH210-32	2												UC210-32		3.08	
UCPH211	55	120	219	171	75	20	23	22	181	55.6	22.2	M16	UC211	PH211	5.51	
UCPH211-32	2												UC211-32		5.66	
UCPH211-33	2-1/16	4-23/32	8-5/8	6-47/64	2-61/64	25/32	29/32	55/64	7-1/8	2.1890	0.874	5/8	UC211-33		5.6	
UCPH211-34	2-1/8												UC211-34		5.55	
UCPH211-35	2-3/16												UC211-35		5.49	
UCPH212	60	130	241	184	85	20	23	25	197	65.1	25.4	M16	UC212	PH212	6.34	
UCPH212-36	2-1/4												UC212-36		6.47	
UCPH212-37	2-5/16	5-1/8	9-1/2	7-1/4	3-11/32	25/32	29/32	63/64	7-3/4	2.5630	1.000	5/8	UC212-37		6.39	
UCPH212-38	2-3/8												UC212-38		6.32	
UCPH212-39	2-7/16												UC212-39		6.25	
UCPH213	65	140	265	203	95	25	28	27	212	65.1	25.4	M20	UC213	PH213	7.45	
UCPH213-40	2-1/2	5-33/64	10-7/16	8	3-3/4	63/64	1-3/32	1-1/16	8-11/32	2.5630	1.000	3/4	UC213-40		7.54	
UCPH213-41	2-9/16												UC213-41		7.45	
UCPH214	70	150	266	210	105	25	28	28	225	74.6	30.2	M20	UC214	PH214	8.25	
UCPH214-42	2-5/8	5-29/32	10-15/32	8-17/64	5-9/64	63/64	1-3/32	1-7/64	8-55/64	2.9370	1.189	3/4	UC214-42		8.46	
UCPH214-43	2-11/16												UC214-43		8.36	
UCPH214-44	2-3/4												UC214-44		8.26	
UCPH215	75	160	275	217	115	25	28	29	238	77.8	33.3	M20	UC215	PH215	9.61	
UCPH215-45	2-13/16												UC215-45		9.85	
UCPH215-46	2-7/8	5-19/64	10-53/64	8-35/64	4-17/32	63/64	1-3/32	1-9/64	9-3/8	3.0630	1.311	3/4	UC215-46		9.75	
UCPH215-47	2-15/16												UC215-47		9.64	
UCPH215-48	3												UC215-48		9.25	
UCPH216	80	170	292	232	125	25	28	30	253	82.6	33.3	M20	UC216	PH216	10.8	
UCPH216-49	3-1/16												UC216-49		10.98	
UCPH216-50	3-1/8	6-11/16	11-1/2	9-1/8	4-59/64	63/64	1-3/32	1-3/16	9-61/64	3.2520	1.311	3/4	UC216-50		10.85	
UCPH216-51	3-3/16												UC216-51		10.72	



Unit No.	Dimensions <small>mm in.</small>											Bolt Size <small>mm inch</small>	Bearing No.	Housing No.	Weight (kg)
	d	h	a	e	b	s	g	l	w	B	n				
UCPA201	12	30.2	76	52	40		15	11	62	31	12.7		UC201	PA204	0.6
UCPA201-8	1/2												UC201-8		0.59
UCPA202	15												UC202		0.59
UCPA202-9	9/16												UC202-9		0.59
UCPA202-10	5/8	1-3/16	3	2-3/64	1-9/16	M10	19/32	7/16	2-7/16	1.2205	0.500	M10	UC202-10		0.59
UCPA203	17												UC203		0.58
UCPA203-11	11/16												UC203-11		0.57
UCPA204	20												UC204		0.56
UCPA204-12	3/4												UC204-12	0.56	
UCPA205	25	36.5	84	56	38		15	12	72	34.1	14.3		UC205	PA205	0.83
UCPA205-13	13/16												UC205-13		0.87
UCPA205-14	7/8	1-7/16	3-5/16	2-13/64	1-1/2	M10	19/32	15/32	2-53/64	1.3425	0.563	M10	UC205-14		0.86
UCPA205-15	15/16												UC205-15		0.84
UCPA205-16	1												UC205-16		0.83
UCPA206	30	42.9	94	66	50		18	12	84	38.1	15.9		UC206	PA206	1.12
UCPA206-17	1-1/16												UC206-17		1.15
UCPA206-18	1-1/8	1-11/16	3-45/64	2-19/32	1-31/32	M14	45/64	15/32	3-5/16	1.5000	0.626	M14	UC206-18		1.14
UCPA206-19	1-3/16												UC206-19		1.12
UCPA206-20	1-1/4												UC206-20		1.11
UCPA207	35	47.6	110	80	55		20	13	95	42.9	17.5		UC207	PA207	1.48
UCPA207-20	1-1/4												UC207-20		1.54
UCPA207-21	1-5/16	1-7/8	4-21/64	3-5/32	2-11/64	M14	25/32	33/64	3-47/64	1.6890	0.689	M14	UC207-21		1.51
UCPA207-22	1-3/8												UC207-22		1.48
UCPA207-23	1-7/16												UC207-23	1.45	
UCPA208	40	49.2	116	84	58		20	13	100	49.2	19		UC208	PA208	1.89
UCPA208-24	1-1/2	1-15/16	4-9/16	3-5/16	2-9/32	M14	25/32	33/64	3-15/16	1.9370	0.748	M14	UC208-24		1.93
UCPA208-25	1-9/16												UC208-25		1.90
UCPA209	45	54.2	120	90	60		25	13	108	49.2	19		UC209	PA209	1.98
UCPA209-26	1-5/8												UC209-26		2.08
UCPA209-27	1-11/16	2-9/64	4-23/32	3-35/64	2-23/64	M14	63/64	33/64	4-1/4	1.9370	0.748	M14	UC209-27		2.04
UCPA209-28	1-3/4												UC209-28		2.00
UCPA210	50	57.2	130	94	64		25	14	116	51.6	19		UC210	PA210	2.16
UCPA210-29	1-13/16												UC210-29		2.28
UCPA210-30	1-7/8	2-1/4	5-1/8	3-45/64	2-33/64	M16	63/64	35/64	4-9/16	2.0315	0.748	M16	UC210-30		2.23
UCPA210-31	1-15/16												UC210-31		2.18
UCPA210-32	2												UC210-32		2.14
UCPA211	55	63.5	140	104	66		25	14	125	55.6	22.2		UC211	PA211	3.26
UCPA211-32	2												UC211-32		3.41
UCPA211-33	2-1/16	2-1/2	5-33/64	4-3/32	2-19/32	M16	63/64	35/64	4-59/64	2.1890	0.874	M16	UC211-33		3.35
UCPA211-34	2-1/8												UC211-34		3.30
UCPA211-35	2-3/16												UC211-35		3.24
UCPA212	60	69.9	150	114	68		25	15	138	65.1	25.4		UC212	PA212	4.19
UCPA212-36	2-1/4												UC212-36		4.32
UCPA212-37	2-5/16	2-3/4	5-29/32	4-31/64	2-43/64	M16	63/64	19/32	5-7/16	2.5630	1.000	M16	UC212-37		4.24
UCPA212-38	2-3/8												UC212-38		4.17
UCPA212-39	2-7/16												UC212-39		4.10
UCPA213	65	76.2	160	124	70		25	15	150	65.1	25.4		UC213	PA213	5.08
UCPA213-40	2-1/2	3	6-19/64	4-7/8	2-3/4	M16	63/64	19/32	5-29/32	2.5630	1.000		UC213-40		5.17
UCPA213-41	2-9/16											M16	UC213-41		5.08

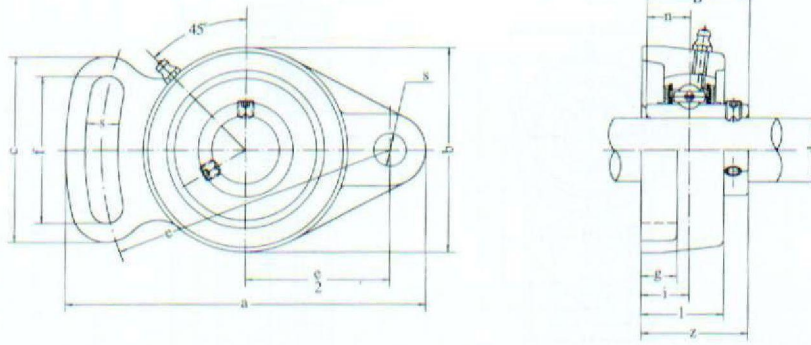


Unit No.	Dimensions <small>mm in.</small>											Bolt Size <small>mm inch</small>	Bearing No.	Housing No.	Weight (kg)
	d	h	a	e	b	s	l	g	w	B	n				
UCPG201	12	33.3	70	49	38		14	14	64	31	12.7		UC201		0.63
UCPG201-8	1/2												UC201-8		0.62
UCPG202	15					M8							UC202	PG204	0.62
UCPG202-9	9/16												UC202-9		0.62
UCPG202-10	5/8	15/16	2-3/4	1-59/64	1-1/2		35/64	35/64	2-33/64	1.2205	0.500		UC202-10		0.62
UCPG203	17												UC203		0.61
UCPG203-11	11/16												UC203-11		0.60
UCPG204	20												UC204		0.59
UCPG204-12	7/8												UC204-12		0.59
UCPG205	25	36.5	75	50	38		15	15	70	34.1	14.3		UC205		0.70
UCPG205-13	13/16												UC205-13	PG205	0.74
UCPG205-14	7/8												UC205-14		0.73
UCPG205-15	15/16	1-7/16	2-6/64	1-31/32	1-1/2	M10	19/32	19/32	2-3/4	1.3425	0.563	M10	UC205-15		0.71
UCPG205-16	1												UC205-16		0.70
UCPG206	30	42.9	85	60	48		17	16	83	38.1	15.9		UC206		1.09
UCPG206-17	1-1/16												UC206-17	PG206	1.10
UCPG206-18	1-1/8	1-11/16	3-11/32	2-23/64	1-64/57	M10	43/64	5/8	3-17/64	1.5000	0.626	M10	UC206-18		1.11
UCPG206-19	1-3/16												UC206-19		1.09
UCPG206-20	1-1/4												UC206-20		1.08
UCPG207	35	47.6	100	68	48		20	19	93	42.9	17.5		UC207		1.47
UCPG207-20	1-1/4												UC207-20	PG207	1.53
UCPG207-21	1-16/5	1-7/8	3-15/16	2-43/64	1-57/64	M12	25/32	3/4	3-21/32	1.6890	0.689	M12	UC207-21		1.50
UCPG207-22	1-3/8												UC207-22		1.47
UCPG207-23	1-7/16												UC207-23		1.44
UCPG208	40	49.2	110	78	54		20	19	98	49.2	19		UC208		1.81
UCPG208-24	1-1/2	1-15/16	4-21/64	3-5/64	2-1/8	M12	25/32	3/4	3-55/64	1.9370	0.748	M12	UC208-24	PG208	1.85
UCPG208-25	1-9/16												UC208-25		1.82
UCPG209	45	53.9	120	85	54		20	19	106	49.2	19		UC209		2.13
UCPG209-26	1-5/8	2-1/8	4-23/32	3-11/32	2-1/8	M12	25/32	3/4	4-11/64	1.9370	0.748	M12	UC209-26	PG209	2.23
UCPG209-27	1-11/16												UC209-27		2.19
UCPG209-28	1-3/4												UC209-28		2.15
UCPG210	50	57.2	135	95	60		21	22	114	51.6	19		UC210		2.84
UCPG210-29	1-13/16												UC210-29	PG210	2.96
UCPG210-30	1-7/8	2-1/4	5-5/16	3-47/64	2-23/64	M16	53/64	55/64	4-31/64	2.0315	0.748	M16	UC210-30		2.91
UCPG210-31	1-15/16												UC210-31		2.86
UCPG210-32	2												UC210-32		2.82

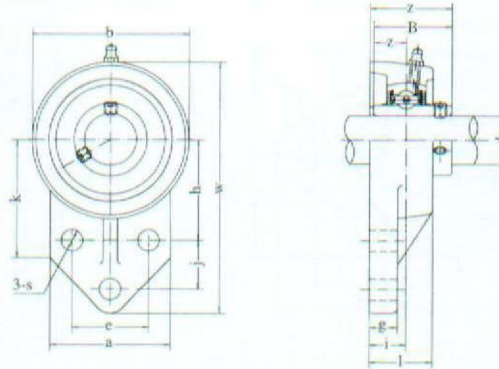


Unit No.	Dimensions <small>mm in.</small>											Bolt Size <small>mm inch</small>	Bearing No.	Housing No.	Weight (kg)
	d	h	a	e	b	s	g	l	w	B	n				
UCSPW201	12	30.2	63	47	30		10	11	57	27.4	11.5	M8	UCS201 UCS201-8 UCS202 UCS202-9 UCS202-10 UCS203 UCS203-11	PW203	0.41
UCSPW201-8	1/2														0.40
UCSPW202	15														0.40
UCSPW202-9	9/16														0.40
UCSPW202-10	5/8	1-3/16	2-31/64	1-27/32	1-3/16		25/64	7/16	2-1/4	1.0787	0.4528				0.40
UCSPW203	17														0.39
UCSPW203-11	11/16											0.39			
UCPW204	20	33.3	65	50.8	32	M8	15	14.5	64	31	12.7	M8	UC204 UC204-12	PW204	0.46
UCPW204-12	3/4	1-5/16	2-9/16	2	1-17/64		19/32	37/64	2-33/64	1.2205	0.500				0.46
UCPW205	25	36.5	70	50.8	36		15	13	70	34.1	14.3	M10	UC205 UC205-13 UC205-14 UC205-15 UC205-16	PW205	0.67
UCPW205-13	13/16														0.71
UCPW205-14	7/8	1-7/16	2-3/4	2	1-27/64	M10	9/32	33/64	2-3/4	1.3425	0.563				0.70
UCPW205-15	15/16														0.68
UCPW205-16	1														0.67
UCPW206	30	42.9	98	76.2	40		18	16	82	38.1	15.9				M10
UCPW206-17	1-1/16											1.15			
UCPW206-18	1-1/8	1-11/16	3-55/64	3	1-37/64	M10	45/64	5/8	3-15/64	1.5000	0.626	1.14			
UCPW206-19	1-3/16											1.12			
UCPW206-20	1-1/4											1.11			
UCPW207	35	47.6	103	82.6	45		20	19	93	42.9	17.5	M10	UC207 UC207-20 UC207-21 UC207-22 UC207-23	PW207	
UCPW207-20	1-1/4														1.44
UCPW207-21	1-3/8	1-7/8	4-1/16	3-1/4	1-49/64	M10	25/32	3/4	3-21/32	1.6890	0.689				1.41
UCPW207-22	1-3/8														1.38
UCPW207-23	1-7/16														1.35
UCPW208	40	49.2	116	88.9	48		20	19	99	49.2	19				M12
UCPW208-24	1-1/2	1-15/16	4-9/16	3-1/2	1-57/64	M12	25/32	3/4	3-57/64	1.9370	0.748	1.90			
UCPW208-25	1-9/16											1.87			
UCPW209	45	53.9	120	95.3	48		25	19	107	49.2	19	M12	UC209 UC209-26 UC209-27 UC209-28	PW209	1.92
UCPW209-26	1-5/8	2-1/8	4-23/32	3-3/4	1-57/64	M12	63/64	3/4	4-7/32	1.9370	0.748				2.02
UCPW209-27	1-11/16														1.98
UCPW209-28	1-3/4														1.94
UCPW210	50	57.2	135	101.6	54		25	22	115	51.6	19	M16	UC210 UC10-29 UC210-30 UC210-31 UC210-32	PW210	2.24
UCPW210-29	1-13/16														2.36
UCPW210-30	1-7/8	2-1/4	5-5/16	4	2-1/8	M16	63/64	55/64	4-17/32	2.0315	0.748				2.31
UCPW210-31	1-15/16														2.26
UCPW210-32	2														2.22

**Flange Units**



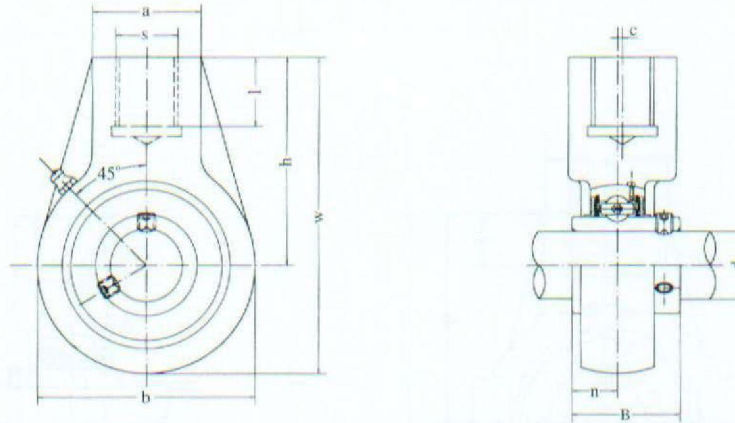
Unit No.	Dimensions <sup>mm</sup> / <sub>in</sub>													Bolt Size mm inch	Bearing No.	Housing No.	Weight (kg)	
	d	a	e	i	g	l	s	b	z	f	c	B	n					
UCFA201	12	98	78	15	12	25.5	10	60	33.3	40	50	31	12.7	M8	UC201	FA204	0.50	
UCFA201-8	1/2														UC201-8		0.49	
UCFA202	15														UC202		0.49	
UCFA202-9	9/16														UC202-9		0.49	
UCFA202-10	5/8	3-55/64	3-5/64	19/32	15/32	1	25/64	2-3/8	1-5/16	1-37/64	1-31/32	1.2205	0.500	5/16	UC202-10		0.49	
UCFA203	17														UC203		0.48	
UCFA203-11	11/16														UC203-11		0.47	
UCFA204	20														UC204		0.46	
UCFA204-12	3/4														UC204-12		0.46	
UCFA205	25	124	98	16	14	27	13	70	35.8	51	65	34.1	14.3	M10	UC205		FA205	0.66
UCFA205-13	13/16														UC205-13			0.70
UCFA205-14	7/8	4-7/8	3-55/64	5/8	35/64	1-1/16	33/64	2-3/4	1-13/32	2-1/64	2-9/16	1.3425	0.563	3/8	UC205-14			0.69
UCFA205-15	15/16														UC205-15	0.67		
UCFA205-16	1														UC205-16	0.66		
UCFA206	30	141	115	18	14	31	13	83	40.2	58	72	38.1	15.9	M10	UC206	FA206	0.93	
UCFA206-17	1-1/16														UC206-17		0.96	
UCFA206-18	1-1/8	5-35/64	4-17/32	45/64	35/64	1-7/32	33/64	3-17/64	1-19/32	2-9/32	2-27/32	1.5000	0.626	3/8	UC206-18		0.95	
UCFA206-19	1-3/16														UC206-19		0.93	
UCFA206-20	1-1/4														UC206-20		0.92	
UCFA207	35	155	128	19	16	34	15	96	44.4	66	82	42.9	17.5	M12	UC207	FA207	1.46	
UCFA207-20	1-1/4														UC207-20		1.52	
UCFA207-21	1-5/16	6-7/64	5-3/64	3/4	5/8	1-11/32	19/32	3-25/32	1-3/4	2-19/32	3-15/64	1.6890	0.689	7/16	UC207-21		1.49	
UCFA207-22	1-3/8														UC207-22		1.46	
UCFA207-23	1-7/16														UC207-23		1.43	
UCFA208	40	171	142	21	16	38	15	105	51.2	71	87	49.2	19	M12	UC208	FA208	1.78	
UCFA208-24	1-1/2	47/64	5-19/32	53/64	5/8	1-1/2	19/32	4-9/64	2-1/64	2-51/64	3-27/64	1.9370	0.748	7/16	UC208-24		1.82	
UCFA208-25	1-9/16														UC208-25		1.79	
UCFA209	45	179	146	22	18	40	17	111	52.2	72	90	49.2	19	M14	UC209	FA209	2.03	
UCFA209-26	1-5/8														UC209-26		2.13	
UCFA209-27	1-11/16	7-3/64	5-3/4	55/64	45/64	1-37/64	43/64	4-3/8	2-1/16	2-53/64	3-35/64	1.9370	0.748	1/2	UC209-27		2.09	
UCFA209-28	1-3/4														UC209-28		2.05	
UCFA210	50	189	155	22	18	40	17	116	54.6	76	94	51.6	19	M14	UC210	FA210	2.23	
UCFA210-29	1-13/16														UC210-29		2.35	
UCFA210-30	1-7/8	7-7/16	6-7/64	55/64	45/64	1-37/64	43/64	4-9/16	2-5/32	3	3-45/64	2.0315	0.748	1/2	UC210-30		2.30	
UCFA210-31	1-15/16														UC210-31		2.25	
UCFA210-32	2														UC210-32		2.21	
UCFA211	55	216	182	25	20	44	17	133	58.4	86	104	55.6	22.2	M14	UC211	FA211	3.41	
UCFA211-32	2														UC211-32		3.56	
UCFA211-33	2-1/16														UC211-33		3.5	
UCFA211-34	2-1/8	8-1/2	7-11/64	63/64	25/32	1-47/64	43/64	5-51/64	2-5/16	3-25/64	4-3/32	2.1890	0.874	1/2	UC211-34		3.45	
UCFA211-35	2-3/16														UC211-35		3.39	
UCFA212	60	240	202	29	20	48	19	140	68.7	100	118	65.1	25.4	M16	UC212	FA212	4.14	
UCFA212-36	2-1/4														UC212-36		4.27	
UCFA212-37	2-5/16	9-29/64	7-61/64	1-9/64	25/32	1-7/8	3/4	5-1/2	2-23/32	3-15/16	4-41/64	2.5630	1.000	5/8	UC212-37		4.19	
UCFA212-38	2-3/8														UC212-38		4.12	
UCFA212-39	2-7/16														UC212-39		4.05	
UCFA213	65	250	210	30	20	50	19	155	69.7	102	122	65.1	25.4	M16	UC213	FA213	5.35	
UCFA213-40	2-1/2	9-27/32	8-17/64	1-3/16	25/32	1-31/32	3/4	6-3/32	2-3/4	4-1/64	4-51/64	2.5630	1.000	5/8	UC213-40		5.44	
UCFA213-41	2-9/16														UC213-41		5.35	



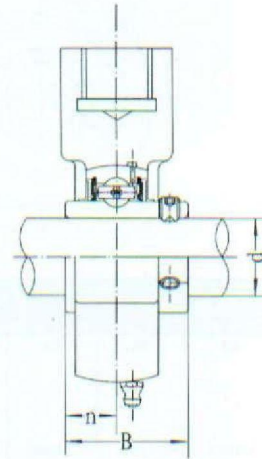
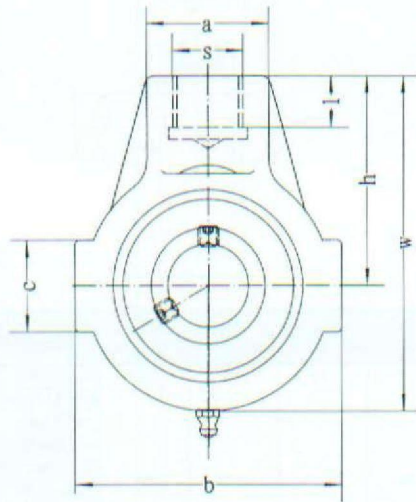
Unit No.	Dimensions <sup>mm</sup> <sub>in.</sub>															Bolt Size mm inch	Bearing No.	Housing No.	Weight (kg)
	d	w	b	k	a	l	S	g	h	J	e	i	z	B	n				
UCFB201	12	110	62	52	52	25.5	10	13	42	27	32	15	33.3	31	12.7	M8	UC201	FB204	0.58
UCFB201-8	1/2																UC201-8		0.57
UCFB202	15																UC202		0.57
UCFB202-9	9/16																UC202-9		0.57
UCFB202-10	5/8	4-11/32	2-7/16	2-1/16	2-1/16	1	25/64	1/2	1-21/32	1-1/16	1-17/64	19/32	1-5/16	1.2205	0.500	5/16	UC202-10		0.57
UCFB203	17																UC203		0.56
UCFB203-11	11/16																UC203-11		0.55
UCFB204	20																UC204		0.54
UCFB204-12	3/4																UC204-12	0.54	
UCFB205	25	116	68	52	56	27	10	13	45	27	34	16	35.8	34.1	14.3	M8	UC205	FB205	0.79
UCFB205-13	13/16																UC205-13		0.83
UCFB205-14	7/8	4-9/16	2-11/16	2-1/16	2-7/32	1-1/16	25/64	1/2	1-49/64	1-1/16	1-11/32	5/8	1-13/32	1.3425	0.563	5/16	UC205-14		0.82
UCFB205-15	15/16																UC205-15		0.80
UCFB205-16	1																UC205-16		0.79
UCFB206	30	130	78	55	65	31	10	13	50	29	40	18	40.2	38.1	15.9	M8	UC206	FB206	0.95
UCFB206-17	1-1/16																UC206-17		0.98
UCFB206-18	1-1/8	5-1/8	3-1/16	2-5/32	2-9/16	1-7/32	25/64	1/2	1-31/32	1-9/64	1-37/64	45/64	1-19/32	1.5000	0.626	5/16	UC206-18		0.97
UCFB206-19	1-3/16																UC206-19		0.95
UCFB206-20	1-1/4																UC206-20		0.94
UCFB207	35	144	90	62	70	34	10	15	55	32	46	19	44.4	42.9	17.5	M8	UC207	FB207	1.29
UCFB207-20	1-1/4																UC207-20		1.35
UCFB207-21	1-5/16	5-21/32	3-35/64	2-7/16	2-3/4	1-11/32	25/64	19/32	2-11/64	1-17/64	1-13/16	3/4	1-3/4	1.6890	0.689	5/16	UC207-21		1.32
UCFB207-22	1-3/8																UC207-22		0.29
UCFB207-23	1-7/16																UC207-23		1.26
UCFB208	40	164	100	72	78	36	12	16	60	41	50	21	51.2	49.2	19	M10	UC208	FB208	1.78
UCFB208-24	1-1/2	6-15/32	3-15/16	2-27/32	3-1/16	1-13/32	15/32	5/8	2-23/64	1-39/64	1-31/32	53/64	2-1/64	1.9370	0.748	3/8	UC208-24		1.82
UCFB208-25	1-9/16																UC208-25		1.79
UCFB209	45	174	106	76	80	38	12	18	65	43	54	22	52.2	49.2	19	M10	UC209	FB209	1.91
UCFB209-26	1-5/8																UC209-26		2.01
UCFB209-27	1-11/16	6-27/32	4-3/16	3	3-5/32	1-1/2	15/32	23/32	2-9/16	1-11/16	2-1/8	55/64	2-1/16	1.9370	0.748	3/8	UC209-27		1.97
UCFB209-28	1-3/4																UC209-28		1.93
UCFB210	50	184	112	82	86	40	12	18	68	46	58	22	54.6	51.6	19	M10	UC210	FB210	2.36
UCFB210-29	1-13/16																UC210-29		2.48
UCFB210-30	1-7/8	7-1/4	4-13/32	3-7/32	3-3/8	1-37/64	15/32	23/32	2-43/64	1-13/16	2-9/32	55/64	2-5/32	2.0315	0.748	3/8	UC210-30		2.43
UCFB210-31	1-15/16																UC210-31		2.38
UCFB210-32	2																UC210-32		2.34
UCFB211	55	207	130	86	90	43	14	18	78	50	62	25	58.4	55.6	22.2	M12	UC211	FB211	3.15
UCFB211-32	2																UC211-32		3.31
UCFB211-33	2-1/16	8-5/32	5-1/8	3-25/64	3-35/64	1-11/16	35/64	45/64	3-5/64	1-31/32	2-7/16	63/64	2-5/16	2.1890	0.874	7/16	UC211-33		3.25
UCFB211-34	2-1/8																UC211-34		3.20
UCFB211-35	2-3/16																UC211-35		3.14
UCFB212	60	223	140	90	94	48	14	18	84	55	66	29	68.7	65.1	25.4	M12	UC212	FB212	3.99
UCFB212-36	2-1/4																UC212-36		4.12
UCFB212-37	2-5/16	8-25/32	5-1/2	3-35/64	3-45/64	1-7/8	35/64	45/64	3-5/16	2-11/64	2-19/32	1-9/64	2-23/32	2.5630	1.000	7/16	UC212-37		4.04
UCFB212-38	2-3/8																UC212-38		3.97
UCFB212-39	2-7/16																UC212-39		3.90
UCFB213	65	244	155	94	100	50	14	20	92	60	70	30	69.7	65.1	25.4	M12	UC213	FB213	5.21
UCFB213-40	2-1/2	9-39/64	6-7/64	3-45/64	3-15/16	1-31/32	35/64	25/32	3-5/8	2-23/64	2-3/4	1-3/16	2-3/4	2.5630	1.000	7/16	UC213-40		5.3
UCFB213-41	2-9/16																UC213-41		5.21

# Screw Conveyor Hanger Units

## UCHA2 (Normal-duty)



Unit No.	Dimensions <sup>mm</sup> <sub>in.</sub>										Bearing No.	Housing No.	Weight (kg)
	d	h	w	b	c	a	S	l	B	n			
UCHA201	12	64	96	64	0	40		19	31	12.7	UC201	HA204	0.73
UCHA201-8	1/2										UC201-8		0.72
UCHA202	15										UC202		0.72
UCHA202-9	9/16										UC202-9		0.72
UCHA202-10	5/8	2-33/64	3-25/32	2-33/64	0	1-37/64	G-3/4	3/4	1.2205	0.500	UC202-10		0.72
UCHA203	17										UC203		0.71
UCHA203-11	11/16										UC203-11		0.70
UCHA204	20										UC204		0.69
UCHA204-12	3/4										UC204-12	0.69	
UCHA205	25	64	103	78	0	40		19	34.1	14.3	UC205	HA205	0.83
UCHA205-13	13/16										UC205-13		0.87
UCHA205-14	7/8	2-33/64	4-1/16	3-5/64	0	1-37/64	G-3/4	3/4	1.3425	0.583	UC205-14		0.86
UCHA205-15	15/16										UC205-15		0.84
UCHA205-16	1										UC205-16		0.83
UCHA206	30	64	103	78	0	40		19	38.1	15.9	UC206		HA206
UCHA206-17	1-1/16										UC206-17	0.86	
UCHA206-18	1-1/8	2-33/64	4-1/16	3-5/64	0	1-37/64	G-3/4	3/4	1.5000	0.626	UC206-18	0.85	
UCHA206-19	1-3/16										UC206-19	0.83	
UCHA206-20	1-1/4										UC206-20	0.82	
UCHA207	35	70	116	92	0	40		19	42.9	17.5	UC207	HA207	
UCHA207-20	1-1/4										UC207-20		1.22
UCHA207-21	1-5/16	2-3/4	4-9/16	3-5/8	0	1-37/64	G-3/4	3/4	1.6890	0.689	UC207-21		1.19
UCHA207-22	1-3/8										UC207-22		1.16
UCHA207-23	1-7/16										UC207-23		1.13
UCHA208	40	73	121	96	2	40		19	49.2	19	UC208		HA208
UCHA208-24	1-1/2	2-7/8	4-49/64	3-25/32	5/64	1-37/64	G-3/4	3/4	1.9370	0.748	UC208-24	1.36	
UCHA208-25	1-9/16										UC208-25	1.33	
UCHA209	45	82	136	108	5	48		21	49.2	19	UC209	HA209	1.92
UCHA209-26	1-5/8										UC209-26		2.02
UCHA209-27	1-11/16	3-15/64	5-23/64	4-1/4	13/64	1-57/64	G-1	53/64	1.9370	0.748	UC209-27		1.98
UCHA209-28	1-3/4										UC209-28		1.94
UCHA210	50	83	142	118	5	48		21	51.6	19	UC210		HA210
UCHA210-29	1-13/16										UC210-29	2.02	
UCHA210-30	1-7/8	3-17/64	5-19/32	4-41/64	13/64	1-57/64	G1	53/64	2.0315	0.748	UC210-30	1.97	
UCHA210-31	2										UC210-31	1.92	
UCHA210-32	1-15/16										UC210-32	1.88	
UCHA211	55	87	150	126	7	60		25	55.6	22.2	UC211	HA211	2.61
UCHA211-32	2										UC211-32		2.76
UCHA211-33	2-1/16	3-27/64	5-29/32	4-61/64	9/32	2-23/64	G1-1/4	63/64	2.1890	0.874	UC211-33		2.70
UCHA211-34	2-1/8										UC211-34		2.65
UCHA211-35	2-3/16										UC211-35		2.59
UCHA212	60	102	173	142	9	60		28	65.1	25.4	UC212	HA212	3.54
UCHA212-36	2-1/4										UC212-36		3.67
UCHA212-37	2-5/16	4-1/64	6-13/16	5-19/32	23/64	2-23/64	G1-1/4	1-7/64	2.5630	1.000	UC212-37		3.59
UCHA212-38	2-3/8										UC212-38		3.52
UCHA212-39											UC212-39		3.45
UCHA213	65	117	200	166	9.5	70		32	65.1	25.4	UC213	HA213	5.80
UCHA213-40	2-1/2	4-39/64	7-7/8	6-17/32	3/8	2-3/4	G1-1/2	1-17/64	2.5630	1.000	UC213-40		5.89
UCHA213-41	2-9/16										UC213-41		5.80
UCHA214	70	117	200	166	9.5	70		32	74.6	30.2	UC214	HA214	5.67
UCHA214-42	2-5/8										UC214-42		
UCHA214-43	2-11/16	4-39/64	7-7/8	6-17/32	3/8	2-3/4	G1-1/2	1-17/64	2.9370	1.189	UC214-43		
UCHA214-44	2-3/4										UC214-44		
UCHA215	75	117	200	166	9.5	70		32	77.8	33.3	UC215	HA215	5.58
UCHA215-45	2-13/16										UC215-45		
UCHA215-46	2-7/8	4-39/64	7-7/8	6-17/32	3/8	2-3/4	G1-1/2	1-17/64	3.0630	1.311	UC215-46		
UCHA215-47	2-15/16										UC215-47		
UCHA215-48	3										UC215-48		



Unit No.	Dimensions <sup>mm</sup> / <sub>in.</sub>										Bearing No.	Housing No.	Weight (kg)
	d	h	w	b	c	a	s	l	B	n			
UCHE201	12	58	91	65	38	30		21	31	12.7	UC201	HE204	0.61
UCHE201-8	1/2										UC201-8		0.60
UCHE202	15										UC202		0.60
UCHE202-9	9/16										UC202-9		0.60
UCHE202-10	5/8	2-9/32	3-37/64	2-9/16	1-1/2	1-3/16	M16	53/64	1.2205	0.5000	UC202-10		0.60
UCHE203	17										UC203		0.59
UCHE203-11	11-16										UC203-11		0.58
UCHE204	20										UC204		0.57
UCHE204-12	3/4										UC204-12		0.57
UCHE205	25	64	99	70	38	35		22	34.1	14.3	UC205		HE205
UCHE205-13	13/16										UC205-13	0.76	
UCHE205-14	7/8	2-33/64	3-57/64	2-3/4	1-1/2	1-3/8	M20	55/64	1.3425	0.563	UC205-14	0.75	
UCHE205-15	15/16										UC205-15	0.73	
UCHE205-16	1										UC205-16	0.72	
UCHE206	30	72	114	85	40	40		24	38.1	15.9	UC206	HE206	1.12
UCHE206-17	1-1/16										UC206-17		1.13
UCHE206-18	1-1/8	2-53/64	4-31/64	3-11/32	1-37/64	1-37/64	M24	15/16	1.5000	0.626	UC206-18		1.14
UCHE206-19	1-3/16										UC206-19		1.12
UCHE206-20	1-1/4										UC206-20		1.11
UCHE207	35	76	122	90	40	40		24	42.9	17.5	UC207	HE207	1.25
UCHE207-20	1-1/4										UC207-20		1.31
UCHE207-21	1-5/16	3	4-51/16	3-35/64	1-37/64	1-37/64	M24	15/16	1.6890	0.689	UC207-21		1.28
UCHE207-22	1-3/16										UC207-22		1.25
UCHE207-23	1-1/4										UC207-23		1.22
UCHE208	40	85	135	100	45	40		24	49.2	19	UC208	HE208	1.61
UCHE208-24	1-1/2										UC208-24		1.65
UCHE208-25	1-9/16	3-11/32	5-5/16	3-15/16	1-25/32	1-37/64	M24	15/16	1.9370	0.748	UC208-25		1.62
UCHE209	45								49.2	19	UC209	HE209	2.04
UCHE209-26	1-5/8										UC209-26		2.14
UCHE209-27	1-11/16	90	145	110	46	40		24	1.9370	0.748	UC209-27		2.10
UCHE209-28	1-3/4						M24				UC209-28		2.06
UCHE210	50										UC210	HE210	1.91
UCHE210-29	1-13/16	3-35/64	5-45/64	4-21/64	1-13/16	1-37/64		15/16	51.6	19	UC210-29		2.03
UCHE210-30	1-7/8										UC210-30		1.98
UCHE210-31	1-15/16								2.0315	0.748	UC210-31		1.93
UCHE210-32	2										UC210-32		2.01