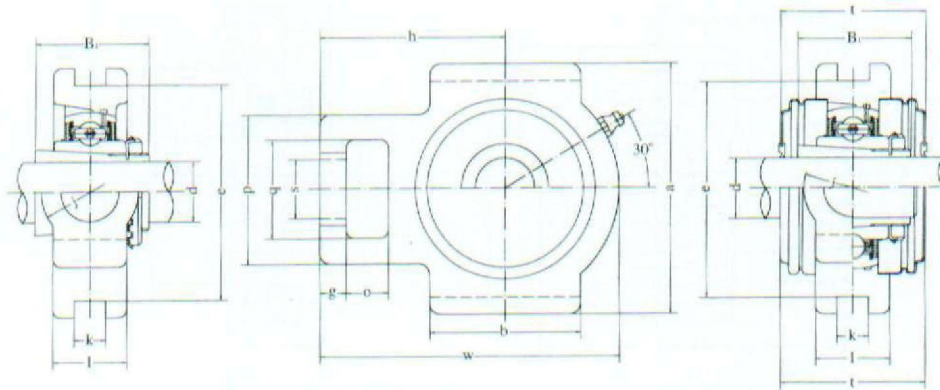


Unit No.	Dimensions <small>mm</small> <small>in.</small>																Bearing No.	Housing No.	Weight (kg)
	d	g	p	q	s	b	k	e	a	w	j	l	h	B	n				
HCT204	20	16	10	51	32	19	51	12	76	89	94	32	21	61	43.7	17.1	HC204	T204	0.83
HCT204-12	3/4	5/8	25/64	1-1/16	1-1/4	3/4	2-1/64	15/32	2-63/64	3-1/2	3-11/16	1-1/4	13/16	2-13/32	1.720	0.673	HC204-12		0.83
HCT205	25	16	10	51	32	19	51	12	76	89	97	32	24	62	44.4	17.5	HC205	T205	0.88
HCT205-13	13/16																HC205-13		0.93
HCT205-14	7/8	5/8	25/64	1-1/16	1-1/4	3/4	2-1/64	15/32	2-63/64	3-1/2	3-13/16	1-1/4	15/16	2-7/16	1.748	0.689	HC205-14		0.92
HCT205-15	15/16																HC205-15		0.90
HCT205-16	1																HC205-16		0.88
HCT206	30	16	10	56	37	22	57	12	89	102	113	37	28	70	48.4	18.3	HC206	T206	1.35
HCT206-17	1-1/16																HC206-17		1.40
HCT206-18	1-1/8	5/8	25/64	2-7/32	1-29/64	55/64	2-1/4	15/32	3-1/2	4-1/64	4-29/64	4-29/64	1-3/32	2-3/4	1.906	0.720	HC206-18		1.37
HCT206-19	1-3/16																HC206-19		1.35
HCT206-20	1-1/4																HC206-20		1.32
HCT207	35	16	13	64	37	22	64	12	89	102	129	37	30	78	51.1	18.8	HC207	T207	1.56
HCT207-20	1-1/4																HC207-20		1.63
HCT207-21	1-5/16	5/8	33/64	2-33/64	1-29/64	55/64	2-33/64	15/32	3-1/2	4-1/64	5-5/64	1-29/64	1-3/16	3-5/64	2.012	0.740	HC207-21		1.59
HCT207-22	1-3/8																HC207-22		1.56
HCT207-23	1-7/16																HC208-23		1.53
HCT208	40	19	16	83	49	29	83	16	102	114	144	49	33	89	56.3	21.4	HC208	T208	2.55
HCT208-24	1-1/2	3/4	5/8	3-17/64	1-15/16	1-9/64	3-17/64	5/8	4-1/64	4-31/64	4-43/64	1-15/16	1-5/16	3-1/2	2.217	0.843	HC208-24		2.60
HCT208-25	1-9/16																HC208-25		2.56
HCT209	45	19	16	83	49	29	83	16	102	117	144	49	35	87	56.3	21.4	HC209	T209	2.53
HCT209-26	1-9/8																HC209-26		2.64
HCT209-27	1-11/16	3/4	5/8	3-17/64	1-15/16	1-9/64	3-17/64	5/8	4-1/64	4-39/64	5-43/64	1-15/16	1-3/8	3-27/64	2.217	0.843	HC209-27		2.59
HCT209-28	1-3/4																HC209-28		2.55
HCT210	50	19	16	83	49	29	86	16	102	117	149	49	37	90	62.7	24.6	HC210	T210	2.62
HCT210-29	1-13/16																HC210-29		2.77
HCT210-30	1-7/8	3/4	5/8	3-17/64	1-15/16	1-9/64	3-25/64	5/8	4-1/64	4-39/64	5-55/64	1-15/16	1-15/32	3-35/64	2.469	0.969	HC210-30		2.71
HCT210-31	1-15/16																HC210-31		2.65
HCT210-32	2																HC210-32		2.59
HCT211	55	25	19	102	64	35	95	22	130	146	171	64	38	106	71.4	27.8	HC211	T211	4.32
HCT211-32	2																HC211-32		4.52
HCT211-33	2-1/16	83/64	3/4	4-1/64	2-1/32	1-3/8	3-3/4	55/64	5-1/8	5-3/4	6-47/64	2-33/64	1-1/2	4-11/64	2.811	1.094	HC211-33		4.44
HCT211-34	2-1/8																HC211-34		4.37
HCT211-35	2-3/16																HC211-35		4.29
HCT212	60	32	19	102	64	35	102	22	130	146	194	64	42	119	77.8	31	HC212	T212	5.31
HCT212-36	2-1/4																HC212-36		5.47
HCT212-37	2-5/16	1-17/64	3/4	4-1/64	2-1/32	1-3/8	4-1/64	55/64	5-1/8	5-3/4	7-41/64	2-33/64	1-21/32	4-11/16	3.063	1.220	HC212-37		5.38
HCT212-38	2-3/8																HC212-38		5.33
HCT212-39	2-7/16																HC212-39		5.20
HCT213	65	32	21	111	70	41	121	26	151	167	224	70	44	137	85.7	34.1	HC213	T213	7.21
HCT213-40	2-1/2	1-17/64	53/64	4-3/8	2-3/4	1-39/64	4-49/64	1-1/32	5-15/16	6-37/64	8-13/16	2-3/4	1-23/32	5-25/64	3.374	1.343	HC213-40		7.31
HCT213-41	2-9/16																HC213-41		7.20
HCT214	70	32	21	111	70	41	121	26	151	167	224	70	46	137	85.7	34.1	HC214	T214	7.55
HCT214-42	2-3/8																HC214-42		7.79
HCT214-43	2-11/16	1-17/64	53/64	4-3/8	2-3/4	1-39/64	4-49/64	1-1/32	5-15/16	6-37/64	8-13/16	2-3/4	1-13/16	5-25/64	3.374	1.343	HC214-43		7.68
HCT214-44	2-3/4																HC214-44		7.56
HCT215	75	32	21	111	70	41	121	26	151	167	232	70	48	140	92.1	37.3	HC215	T215	8.04
HCT215-45	2-13/16																HC215-45		8.34
HCT215-46	2-7/8	1-17/64	53/64	4-3/8	2-3/4	1-39/64	4-49/64	1-1/32	5-15/16	6-37/64	9-9/64	2-3/4	1-57/64	5-33/64	3.626	1.426	HC215-46		8.21
HCT215-47	2-15/16																HC215-47		8.08
HCT215-48	3																HC215-48		7.94

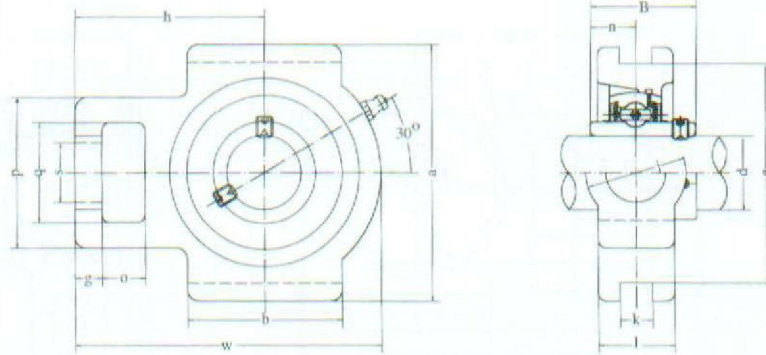
**Take-up Units**  
(with adapter mounted)

**UKT2 (Normal-duty)**



UKT-C (D1)

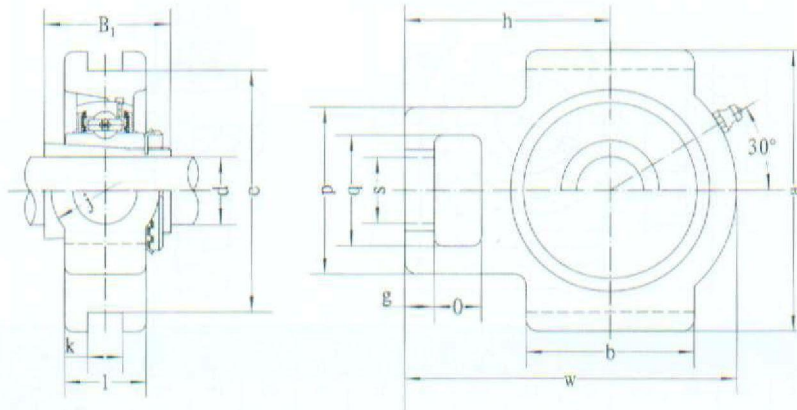
Unit No.	Dimensions <sup>mm</sup> <sub>In.</sub>																Bearing No.	Housing No.	Weight (kg)
	d	o	g	p	q	s	b	k	e	a	w	j	l	h	t	B1			
UKT205;H2305	20	16	10	51	32	19	51	12	76	89	97	32	24	62	48	35	UK205;H2305	T205	0.86
UKT205;HE2305	3/4	5/8	25/64	1-1/64	1-1/4	3/4	2-1/64	15/32	2-63/64	3-1/2	3-13/16	1-1/4	15/16	2-7/16	1-7/8	1.378	UK205;HE2305		
UKT206;H2306	25	16	10	56	37	22	57	12	89	102	113	37	28	70	53	38	UK206;H2306	T206	1.26
UKT206;HS2306	7/8	5/8	25/64	2-7/32	1-15/32	55/64	2-1/4	15/32	3-1/2	4-1/64	4-29/64	1-29/64	1-3/32	2-3/4	2-3/32	1.496	UK206;HS2306		
UKT206;HE2306	1																UK206;HE2306		
UKT207;H2307	30	16	13	64	37	22	64	12	89	102	129	37	30	78	59.5	43	UK207;H2307	T207	2.50
UKT207;HS2307	1-1/8	5/8	33/64	2-33/64	1-15/32	55/64	2-33/64	15/32	3-1/2	4-1/64	5-5/64	1-29/64	1-3/16	3-5/64	2-11/32	1.693	UK207;HS2307		
UKT208;H2308	35	19	16	83	49	29	83	16	102	114	144	49	33	89	69	46	UK208;H2308	T208	2.50
UKT208;HE2308	1-1/4	3/4	5/8	3-17/64	1-15/16	1-9/64	3-17/64	5/8	4-1/64	4-31/64	5-43/64	1-15/16	1-5/16	3-1/2	2-23/32	1.811	UK208;HE2308		
UKT208;HE2308	1-3/8																UK208;HE2308		
UKT209;H2309	40	19	16	83	49	29	83	16	102	117	144	49	35	87	69	50	UK209;H2309	T209	2.51
UKT209;HA2309	1-7/16																UK209;HA2309		
UKT209;HE2309	1-1/2	3/4	5/8	3-17/64	1-15/16	1-9/64	3-17/64	5/8	4-1/64	4-39/64	5-43/64	1-15/16	1-3/8	3-27/64	2-23/32	1.969	UK209;HE2309		
UKT209;HS2309	1-5/8																UK209;HS2309		
UKT210;H2310	45	19	16	83	49	29	86	16	102	117	149	49	37	90	74.5	55	UK210;H2310	T210	2.60
UKT210;HS2310	1-5/8																UK210;HS2310		
UKT210;HA2310	1-11/16	3/4	5/8	3-17/64	1-15/16	1-9/64	3-25/64	5/8	4-1/64	4-39/64	5-55/64	1-15/16	1-15/32	3-35/64	2-15/16	2.165	UK210;HA2310		
UKT210;HE2310	1-3/4																UK210;HE2310		
UKT211;H2311	50	25	19	102	64	35	95	22	130	146	171	64	38	106	76	59	UK211;H2311	T211	4.26
UKT211;HS2311	1-7/8																UK211;HS2311		
UKT211;HA2311	1-15/16	63/64	3/4	4-1/64	2-1/32	1-3/8	3-3/4	55/64	5-1/8	5-3/4	6-47/64	2-33/64	1-1/2	4-11/64	3	2.323	UK211;HA2311		
UKT211;HE2311	2																UK211;HE2311		
UKT212;H2312	55	32	19	102	64	35	102	22	130	146	194	64	42	119	89	62	UK212;H2312	T212	5.02
UKT212;HS2312	2-1/8	1-17/64	3/4	4-1/64	2-1/32	1-3/8	4-1/64	55/64	5-1/8	5-3/4	7-41/64	2-33/64	1-21/32	4-11/16	3-1/2	2.441	UK212;HS2312		
UKT213;H2313	60	32	21	111	70	41	121	26	151	167	224	70	44	137	89	65	UK213;H2313	T213	6.56
UKT213;HA2313	2-3/16																UK213;HA2313		
UKT213;HE2313	2-1/4	1-17/64	53/64	4-3/8	2-3/4	1-39/64	4-49/64	1-1/32	5-15/16	6-37/64	8-13/16	2-3/4	1-23/32	5-25/64	3-1/2	2.559	UK213;HE2313		
UKT213;HS2313	2-3/8																UK213;HS2313		
UKT215;H2315	65	32	21	111	70	41	121	26	151	167	232	70	48	140		73	UK215;H2315	T215	7.52
UKT215;HA2315	2-7/16	1-17/64	53/64	4-3/8	2-3/4	1-39/64	4-49/64	1-1/32	5-15/16	6-37/64	9-9/64	2-3/4	1-57/64	5-33/64		2.874	UK215;HA2315		
UKT215;HE2315	2-1/2																UK215;HE2315		
UKT216;H2316	70	32	21	111	70	41	121	26	165	184	235	70	51	140		78	UK216;H2316	T216	8.56
UKT216;HA2316	2-11/16	1-17/64	53/64	4-3/8	2-3/4	1-39/64	4-49/64	1-1/32	6-1/2	7-1/4	9-1/4	2-3/4	2	5-33/64		3.071	UK216;HA2316		
UKT216;HE2316	2-3/4																UK216;HE2316		
UKT217;H2317	75	38	29	124	73	48	157	30	173	198	260	73	54	162		82	UK217;H2317	T217	11.38
UKT217;HA2317	2-15/16	1-1/2	1-9/64	4-7/8	2-7/8	1-57/64	6-3/16	1-3/16	6-13/16	7-51/64	10-15/64	2-7/8	2-1/8	6-3/8		3.228	UK217;HA2317		
UKT217;HE2317	3																UK217;HE2317		



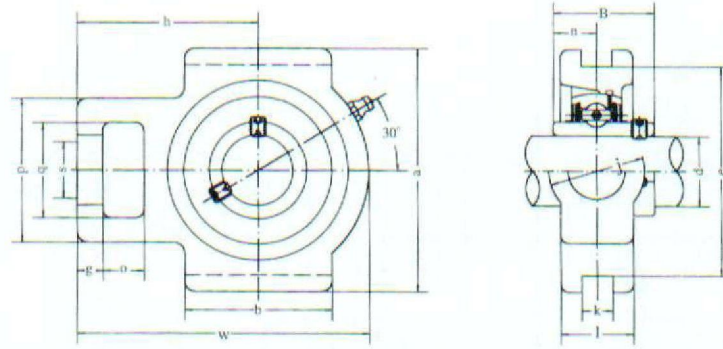
Unit No.	Dimensions <sup>mm</sup> <sub>in.</sub>															Bearing No.	Housing No.	Weight (kg)	
	d	o	g	P	q	s	b	k	e	a	w	l	j	h	B				n
UCTX05	25	16	12	56	37	22	57	12	89	102	113	28	37	70	38.1	15.9	UCX05	TX05	1.4
UCTX05-13	13/16																UCX05-13		
UCTX05-14	7/8	5/8	15/32	2-7/32	1-15/32	55/64	2-1/4	0.472	3-1/2	4-1/64	4-29/64	1-3/32	1-29/64	2-3/4	1.5000	0.626	UCX05-14		
UCTX05-15	15/16																UCX05-15		
UCTX05-16	1																UCX05-16		
UCTX06	30	16	15	64	37	22	64	12	89	102	129	30	37	78	42.9	17.5	UCX06	TX06	1.8
UCTX06-17	1-1/16																UCX06-17		
UCTX06-18	1-1/8	5/8	19/32	2-33/64	1-29/64	55/64	2-33/64	0.472	3-1/2	4-1/64	5-5/64	1-3/16	1-29/64	3-5/64	1.6890	0.689	UCX06-18		
UCTX06-19	1-3/16																UCX06-19		
UCTX06-20	1-1/4																UCX06-20		
UCTX07	35	19	17	83	49	29	83	16	102	114	144	36	49	88	49.2	19	UCX07	TX07	2.6
UCTX07-21	1-5/16																UCX07-21		
UCTX07-22	1-3/8	3/4	21/32	3-17/64	1-15/16	1-9/64	3-17/64	0.630	4-1/64	4-31/64	5-43/64	1-13/32	1-15/16	3-15/32	1.9370	0.748	UCX07-22		
UCTX07-23	1-7/16																UCX07-23		
UCTX08	40	19	17	83	49	29	83	16	102	117	144	36	49	87	49.2	19	UCX08	TX08	2.6
UCTX08-24	1-1/2	3/4	21/32	3-17/64	1-15/16	1-9/64	3-17/64	0.630	4-1/64	4-39/64	5-43/64	1-13/32	1-15/16	3-27/64	1.9370	0.748	UCX08-24		
UCTX08-25	1-9/16																UCX08-25		
UCTX09	45	19	18	83	49	29	86	16	102	117	151	38	49	92	51.6	19	UCX09	TX09	2.8
UCTX09-26	1-5/8																UCX09-26		
UCTX09-27	1-11/16	3/4	23/32	3-17/64	1-15/16	1-9/64	3-25/64	0.630	4-1/64	4-39/64	5-15/16	1-1/2	1-15/16	3-5/8	2.0315	0.748	UCX09-27		
UCTX09-28	1-3/4																UCX09-28		
UCTX09-29	1-13/16																UCX09-29		
UCTX10	50	25	21	102	64	35	95	22	130	146	171	42	64	106	55.6	22.2	UCX10	TX10	4.3
UCTX10-30	1-7/8																UCX10-30		
UCTX10-31	1-15/16	63/64	13/16	4-1/64	2-1/32	1-3/8	3-3/4	0.866	5-1/8	5-3/4	8-47/64	1-21/32	2-33/64	4-11/64	2.1890	0.874	UCX10-31		
UCTX10-32	2																UCX10-32		
UCTX11	55	32	21	102	64	35	102	22	130	146	194	44	64	119	65.1	25.4	UCX11	TX11	5.2
UCTX11-33	2-1/16																UCX11-33		
UCTX11-34	2-1/8	1-17/64	13/16	4-1/64	2-1/32	1-3/8	4-1/64	0.866	5-1/8	5-3/4	7-41/64	1-23/32	2-33/64	4-11/16	2.5630	1.000	UCX11-34		
UCTX11-35	2-3/16																UCX11-35		
UCTX11-36	2-1/4																UC211-36		
UCTX11-37	2-5/16																UC211-37		
UCTX12	60	32	23	111	70	41	121	26	151	167	224	48	70	137	65.1	25.4	UCX12	TX12	7.6
UCTX12-38	2-3/8																UCX12-38		
UCTX12-39	2-7/16	1-17/64	29/32	4-3/8	2-3/4	1-39/64	4-49/64	1.024	5-15/16	6-37/64	8-13/16	1-57/64	2-3/4	5-25/64	2.5630	1.000	UCX12-39		
UCTX13	65	32	23	111	70	41	121	26	151	167	224	48	70	137	74.6	30.2	UCX13	TX13	7.6
UCTX13-40	2-1/2	1-17/64	29/32	4-3/8	2-3/4	1-39/64	4-49/64	1.024	5-15/16	6-37/64	8-13/16	1-57/64	2-3/4	5-25/64	2.9370	1.189	UCX13-40		
UCTX13-41	2-9/16																UCX13-41		
UCTX14	70	32	23	111	70	41	121	26	151	167	232	48	70	140	77.8	33.3	UCX14	TX14	7.7
UCTX14-42	2-5/8																UCX14-42		
UCTX14-43	2-11/16	1-17/64	29/32	4-3/8	2-3/4	1-39/64	4-49/64	1.024	5-15/16	6-37/64	9-9/64	1-57/64	2-3/4	5-33/64	3.0630	1.311	UCX14-43		
UCTX14-44	2-3/4																UCX14-44		
UCTX15	75	32	23	111	70	41	121	28	165	184	235	48	70	140	82.6	33.3	UCX15	TX15	7.55
UCTX15-45	2-13/16																UCX15-45		
UCTX15-46	2-7/8	1-17/64	29/32	4-3/8	2-3/4	1-39/64	4-49/64	1.102	6-1/2	7-1/4	9-1/4	1-57/64	2-3/4	5-33/64	3.2520	1.311	UCX15-46		
UCTX15-47	2-15/16																UCX15-47		
UCTX15-48	3																UCX15-48		
UCTX16	80	38	30	124	73	48	157	28	173	198	260	54	73	162	85.7	34.1	UCX16	TX16	11
UCTX16-49	3-1/16																UCX16-49		
UCTX16-50	3-1/8	1-1/2	1-3/16	4-7/8	2-7/8	1-57/64	6-3/16	1.102	6-13/16	7-51/64	10-15/64	2-1/8	2-7/8	6-3/8	3.3740	1.343	UCX16-50		
UCTX16-51	3-3/16																UCX16-51		
UCTX16-52	3-1/4																UCX16-52		
UCTX17	85	38	30	124	73	48	157	28	173	198	260	54	73	162	96	39.7	UCX17	TX17	12
UCTX17-53	3-5/16	1-1/2	1-3/16	4-7/8	2-7/8	1-57/64	6-3/16	1.102	6-13/16	7-51/64	10-15/64	2-1/8	2-7/8	6-3/8	3.7795	1.5630	UCX17-53		
UCTX17-55	3-7/16																UCX17-55		

**Take-up units**  
(with adapter mounted)

**UKTX (Medium-duty)**



Unit No.	Dimensions <small>mm in.</small>															Bearing No.	Housing No.	Weight (kg)
	d	o	g	p	q	s	b	k	e	a	w	l	j	h	B1			
UKTX05;H2305	20	16	12	56	37	22	57	12	89	102	113	28	37	70	35	UKX05;H2305	TX05	1.3
UKTX05;HE2305	3/4	5/8	15/32	2-7/32	1-15/32	55/64	2-1/4	0.742	3-1/2	4-1/64	4-29/64	1-3/32	1-29/64	2-3/4	1.378	UKX05;HE2305		
UKTX06;H2306	25	16	15	64	37	22	64	12	89	102	129	30	37	78	38	UKX06;H2306	TX06	1.7
UKTX06;HS2306	7/8	5/8	19/32	2-33/64	1-29/64	55/64	2-33/64	0.472	3-1/2	4-1/64	5-5/64	1-3/16	1-29/64	3-5/64	1.496	UKX06;HS2306		
UKTX06;HE2306	1															UKX06;HE2306		
UKTX07;H2307	30	19	17	83	49	29	83	16	102	114	144	36	49	88	43	UKX07;H2307	TX07	2.6
UKTX07;HS2307	1-1/8	3/4	21/32	3-17/64	1-15/16	1-9/64	3-17/64	0.630	4-1/64	4-31/64	5-43/64	1-13/32	1-15/16	3-27/64	1.811	UKX07;HS2307		
UKTX08;H2308	35	19	17	83	49	29	83	16	102	117	144	36	49	87	46	UKX08;H2308	TX08	2.6
UKTX08;HE2308	1-1/4	3/4	21/32	3-17/64	1-15/16	1-9/64	3-17/64	0.630	4-1/64	4-39/64	5-43/64	1-13/32	1-15/16	3-27/64	1.811	UKX08;HE2308		
UKTX08;HS2308	1-3/8															UKX08;HS2308		
UKTX09;H2309	40	19	18	83	49	29	86	16	102	117	151	38	49	92	50	UKX09;H2309	TX09	2.9
UKTX09;HA2309	1-7/16															UKX09;HA2309		
UKTX09;HE2309	1-1/2	3/4	23/32	3-17/64	1-15/16	1-9/64	3-25/64	0.630	4-1/64	4-39/64	5-15/16	1-1/2	1-15/16	3-5/8	1.969	UKX09;HE2309		
UKTX09;HS2309	1-5/8															UKX09;HS2309		
UKTX10;H2310	45	25	21	102	64	35	95	22	130	146	171	42	64	106	55	UKX10;H2310	TX10	4.4
UKTX10;HS2310	1-5/8															UKX10;HS2310		
UKTX10;HA2310	1-11/16	63/64	13/16	4-1/64	2-1/32	1-3/8	3/34	0.866	5-1/8	5-3/4	6-47/64	1-21/32	2-33/64	4-11/64	2.165	UKX10;HA2310		
UKTX10;HE2310	1-3/4															UKX10;HE2310		
UKTX11;H2311	50	32	21	102	64	35	102	22	130	146	194	44	64	119	59	UKX11;H2311	TX11	5.1
UKTX11;HS2311	1-7/8															UKX11;HS2311		
UKTX11;HA2311	1-15/16	1-17/64	13/16	4-1/64	2-1/32	1-3/8	4-1/64	0.866	5-1/8	5-3/4	7-41/64	1-23/32	2-33/64	4-11/16	2.323	UKX11;HA2311		
UKTX11;HE2311	2															UKX11;HE2311		
UKTX12;H2312	55	32	23	111	70	41	121	26	151	167	224	48	70	137	62	UKX12;H2312	TX12	7.3
UKTX12;HS2312	2-1/8	1-17/64	29/32	4-3/8	2-3/4	1-39/64	4-49/64	1.024	5-15/16	6-37/64	8-13/16	1-7/8	2-3/4	5-25/64	2.441	UKX12;HS2312		
UKTX13;H2313	60	32	23	111	70	41	121	26	151	167	224	48	70	137	65	UKX13;H2313	TX13	7.2
UKTX13;HA2313	2-3/16															UKX13;HA2313		
UKTX13;HS2313	2-1/4	1-17/64	29/32	4-3/8	2-3/4	1-39/64	4-49/64	1.024	5-15/16	6-37/64	8-13/16	1-7/8	2-3/4	5-25/64	2.559	UKX13;HS2313		
UKTX15;H2315	65	32	23	111	70	41	121	28	165	184	235	48	70	140	73	UKX15;H2315	TX15	8.4
UKTX15;HA2315	2-7/16	1-17/64	29/32	4-3/8	2-3/4	1-39/64	4-49/64	1.102	6-1/2	7-1/4	9-1/4	1-57/64	2-3/4	5-25/64	2.559	UKX15;HA2315		
UKTX15;HE2315	2-3/8															UKX15;HE2315		
UKTX16;H2316	70	38	30	124	73	48	157	28	173	198	260	54	73	162	78	UKX16;H2316	TX16	11.8
UKTX16;HA2316	2-11/16	1/2	1-3/16	4-7/8	2-7/8	1-57/64	6-3/16	1.102	6-13/16	7-51/64	10-15/64	2-1/8	2-7/8	6-3/8	3.071	UKX16;HA2316		
UKTX16;HE2316	2-3/4															UKX16;HE2316		
UKTX17;H2317	75	38	30	124	73	48	157	28	173	198	260	54	73	162	82	UKX17;H2317	TX17	11.4
UKTX17;HA2317	2-15/16	1-1/2	1-3/16	4-7/8	2-7/8	1-57/64	6-3/16	1.102	6-13/16	7-51/64	10-15/64	2-1/8	2-7/8	6-3/8	3.228	UKX17;HA2317		
UKTX17;HS2317	3															UKX17;HS2317		



Unit No.	Dimensions <sup>mm</sup> <sub>inch</sub>																Bearing No.	Housing No.	Weight (kg)
	a	o	g	p	q	s	b	k	e	a	w	j	l	h	B	n			
UCT305 UCT305-13 UCT305-14 UCT305-15 UCT305-16	25 13/16 7/8 15/16 1	16	14	62	36	26	65	12	80	89	122	36	26	76	38	15	UC305 UC305-13 UC305-14 UC305-15 UC305-16	T305	1.4
UCT306 UCT306-17 UCT306-18 UCT306-19	30 1-1/16 1-1/8 1-3/16	18	16	70	41	28	74	16	90	100	137	41	28	85	43	17	UC306 UC306-17 UC306-18 UC306-19	T306	1.8
UCT307 UCT307-20 UCT307-21 UCT307-22 UCT307-23	35 1-1/4 1-5/16 1-3/8 1-7/16	20	17	75	45	30	80	16	100	111	150	45	32	94	48	19	UC307 UC307-20 UC307-21 UC307-22 UC307-23	T307	2.4
UCT308 UCT308-24 UCT308-25	40 1-1/2 1-9/16	22	19	83	50	32	89	18	112	124	162	50	34	100	52	19	UC308 UC308-24 UC308-25	T308	3.0
UCT309 UCT309-26 UCT309-27 UCT309-28	45 1-5/8 1-11/16 1-3/4	24	20	90	55	34	97	18	125	138	178	55	38	110	57	22	UC309 UC309-26 UC309-27 UC309-28	T309	4.0
UCT310 UCT310-29 UCT310-30 UCT310-31	50 1-13/16 1-7/8 1-15/16	27	22	98	61	37	106	20	140	151	192	61	40	118	61	22	UC310 UC310-29 UC310-30 UC310-31	T310	5.0
UCT311 UCT311-32 UCT311-33 UCT311-34 UCT311-35	55 2 2-1/16 2-1/8 2-3/16	29	23	105	66	39	115	22	150	163	207	66	44	127	66	25	UC311 UC311-32 UC311-33 UC311-34 UC311-35	T311	6.4
UCT312 UCT312-36 UCT312-37 UCT312-38 UCT312-39	60 2-1/4 2-5/16 2-3/8 2-7/16	31	25	113	71	41	123	22	160	178	220	71	46	135	71	26	UC312 UC312-36 UC312-37 UC312-38 UC312-39	T312	7.6
UCT313 UCT313-40 UCT313-41	65 2-1/2 2-9/16	32	27	116	70	43	134	26	170	190	238	80	50	146	75	30	UC313 UC313-40 UC313-41	T313	9.7
UCT314 UCT314-42 UCT314-43 UCT314-44	70 2-5/8 2-11/16 2-3/4	36	27	130	85	46	140	26	180	202	252	90	52	155	78	33	UC314 UC314-42 UC314-43 UC314-44	T314	11
UCT315 UCT315-45 UCT315-46 UCT315-47 UCT315-48	75 2-13/16 2-7/8 2-15/16 3	36	27	132	85	46	150	26	192	216	262	90	55	160	82	32	UC315 UC315-45 UC315-46 UC315-47 UC315-48	T315	14
UCT316 UCT316-49 UCT316-50 UCT316-51	80 3-1/16 3-1/8 3-3/16	42	30	150	98	53	160	30	204	230	282	102	60	174	86	34	UC316 UC316-49 UC316-50 UC316-51	T316	16
UCT317 UCT317-52 UCT317-53 UCT317-55	85 3-1/4 3-5/16 3-7/16	42	32	152	98	53	170	32	214	240	298	102	64	183	96	40	UC317 UC317-52 UC317-53 UC317-55	T317	20
UCT318 UCT318-55 UCT318-56	90 3-7/16 3-1/2	46	32	160	106	57	175	32	228	255	312	110	66	192	96	40	UC318 UC318-55 UC318-56	T318	22
UCT319 UCT319-58 UCT319-59 UCT319-60	95 3-5/8 3-11/16 3-3/4	46	33	165	106	57	180	35	240	270	322	110	72	197	103	41	UC319 UC319-58 UC319-59 UC319-60	T319	24
UCT320 UCT320-64	100 4	48	32	175	115	59	200	35	260	290	345	120	75	210	108	42	UC320 UCT320-64	T320	32
UCT322	110	52	38	185	125	65	215	38	285	320	385	130	80	235	117	46	UC322	T322	40
UCT324	120	60	42	210	140	70	230	45	320	355	432	140	90	267	126	51	UC324	T324	55
UCT326	130	65	45	220	150	75	240	50	350	385	465	150	100	285	135	54	UC326	T326	69
UCT328	140	70	50	230	160	80	255	50	380	415	515	155	100	315	145	59	UC328	T328	84