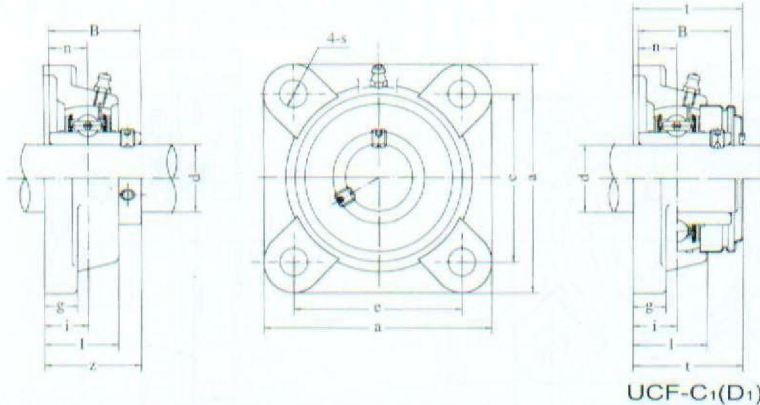
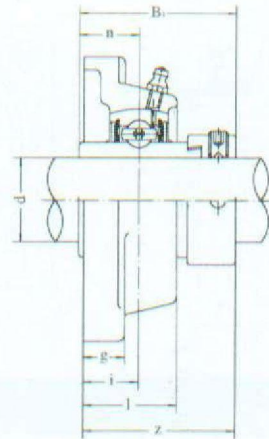
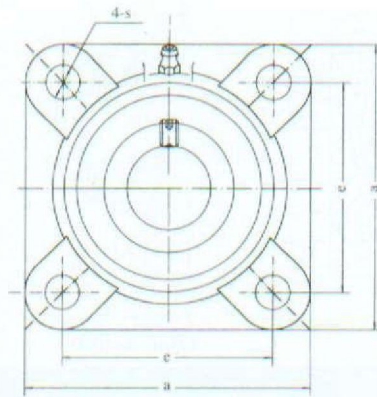


Flange Units (Square)

UCF2 (Normal-duty)



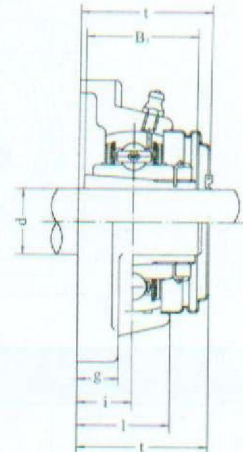
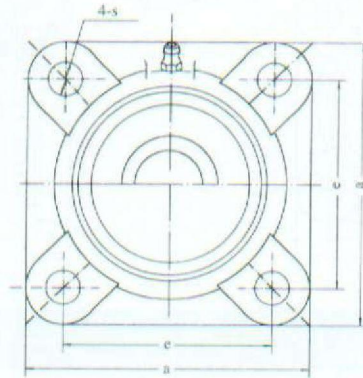
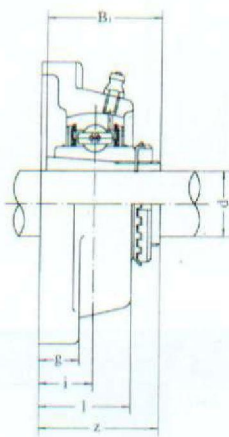
Unit No.	Dimensions <small>mm</small> <small>in.</small>											Bolt Size <small>mm</small> <small>inch</small>	Bearing No.	Housing No.	Weight <small>(kg)</small>
	d	a	e	i	g	l	s	z	t	B	n				
UCF201	12	86	64	15	12	25.5	12	33.3	37.5	31	12.7	M10	UC201	F204	0.80
UCF201-8	1/2	3-3/8	2-33/64	19/32	15/32	1	15/32	1-5/16	1-31/64	1.2205	0.500	3/8	UC201-8		0.59
UCF202	15	86	64	15	12	25.5	12	33.3	37.5	31	12.7	M10	UC202	F204	0.59
UCF202-9	9/16	3-3/8	2-33/64	19/32	15/32	1	15/32	1-5/16	1-31/64	1.2205	0.500	3/8	UC202-9		0.59
UCF202-10	5/8												UC202-10		0.59
UCF203	17	86	64	15	12	25.5	12	33.3	37.5	31	12.7	M10	UC203	F204	0.58
UCF203-11	11/16	3-3/8	2-33/64	19/32	15/32	1	15/32	1-5/16	1-31/64	1.2205	0.500	3/8	UC203-11		0.57
UCF204	20	86	64	15	12	25.5	12	33.3	37.5	31	12.7	M10	UC204	F204	0.56
UCF204-12	3/4	3-3/8	2-33/64	19/32	15/32	1	15/32	1-5/16	1-31/64	1.2205	0.500	3/8	UC204-12		0.56
UCF205	25	95	70	16	14	27	12	35.8	40	34.1	14.3	M10	UC205	F205	0.80
UCF205-13	13/16												UC205-13		0.84
UCF205-14	7/8	3-3/4	2-3/4	5/8	35/64	1-1/16	15/32	1-13/32	1-9/16	1.3425	0.563	3/8	UC205-14		0.83
UCF205-15	15/16												UC205-15		0.81
UCF205-16	1												UC205-16		0.80
UCF206	30	108	83	18	14	31	12	40.2	44.5	38.1	15.9	M10	UC206	F206	1.12
UCF206-17	1-1/16												UC206-17		1.15
UCF206-18	1-1/8	4-1/4	3-17/64	45/64	35/64	1-7/32	15/32	1-19/32	1-3/4	1.5000	0.626	3/8	UC206-18		1.14
UCF206-19	1-3/16												UC206-19		1.12
UCF206-20	1-1/4												UC206-20		1.11
UCF207	35	117	92	19	16	34	14	44.4	48.5	42.9	17.5	M12	UC207	F207	1.46
UCF207-20	1-1/4												UC207-20		1.52
UCF207-21	1-5/16	4-39/64	3-5/8	3/4	5/8	1-11/32	35/64	1-3/4	1-29/32	1.6890	0.689	7/16	UC207-21		1.49
UCF207-22	1-3/8												UC207-22		1.46
UCF207-23	1-7/16												UC207-23		1.43
UCF208	40	130	102	21	16	36	16	51.2	55.5	49.2	19	M14	UC208	F208	1.84
UCF208-24	1-1/2	5-1/8	4-1/64	53/64	5/8	1-27/64	5/8	2-1/64	2-3/16	1.9370	0.748	1/2	UC208-24		1.88
UCF208-25	1-9/16												UC208-25		1.85
UCF209	45	137	105	22	18	38	16	52.2	56.5	49.2	19	M14	UC209	F209	2.16
UCF209-26	1-5/8												UC209-26		2.25
UCF209-27	1-11/16	5-13/32	4-9/64	55/64	23/32	1-1/2	5/8	2-1/16	2-7/32	1.9370	0.748	1/2	UC209-27		2.21
UCF209-28	1-3/4												UC209-28		2.17
UCF210	50	143	111	22	18	40	16	54.6	59.5	51.6	19	M14	UC210	F210	2.42
UCF210-29	1-13/16												UC210-29		2.54
UCF210-30	1-7/8	5-5/8	4-3/8	55/64	23/32	1-9/16	5/8	2-5/32	2-11/32	2.0315	0.748	1/2	UC210-30		2.49
UCF210-31	1-15/16												UC210-31		2.44
UCF210-32	2												UC210-32	2.40	
UCF211	55	162	130	25	20	43	19	58.4	63	55.6	22.2	M16	UC211	F211	3.31
UCF211-32	2												UC211-32		3.46
UCF211-33	2-1/16	6-3/8	5-1/8	63/64	25/32	1-11/16	3/4	1-5/16	2-31/64	2.1890	0.874	5/8	UC211-33		3.40
UCF211-34	2-1/8												UC211-34		3.35
UCF211-35	2-3/16												UC211-35		3.29
UCF212	60	175	143	29	20	48	19	68.7	73.5	65.1	25.4	M16	UC212	F212	4.28
UCF212-36	2-1/4												UC212-36		4.41
UCF212-37	2-5/16	6-57/64	5-5/8	1-9/64	25/32	1-57/64	3/4	2-45/64	2-57/64	2.6630	1.000	5/8	UC212-37		4.33
UCF212-38	2-3/8												UC212-38		4.26
UCF212-39	2-7/16												UC212-39		4.19
UCF213	65	187	149	30	22	50	19	69.7	74.5	65.1	25.4	M16	UC213	F213	4.99
UCF213-40	2-1/2	7-23/64	5-55/64	1-3/16	55/64	1-31/32	3/4	2-3/4	2-15/16	2.5630	1.000	5/8	UC213-40		5.08
UCF213-41	2-9/16												UC213-41		4.99
UCF214	70	193	152	31	22	54	19	75.4	81.5	74.6	30.2	M16	UC214	F214	5.85
UCF214-42	2-5/8												UC214-42		6.06
UCF214-43	2-11/16	7-19/32	5-63/64	1-7/32	55/64	2-1/8	3/4	2-31/32	3-13/64	2.9370	1.189	5/8	UC214-43		5.96
UCF214-44	2-3/4												UC214-44		5.86
UCF215	75	200	159	34	22	56	19	78.5	83.5	77.8	33.3	M16	UC215	F215	6.91
UCF215-45	2-13/16												UC215-45		7.16
UCF215-46	2-7/8	7-7/8	6-17/64	1-11/32	55/64	2-7/32	3/4	3-3/32	3-9/32	3.0630	1.311	5/8	UC215-46		7.05
UCF215-47	2-15/16												UC215-47		6.94
UCF215-48	3												UC215-48		6.82
UCF216	80	208	165	34	22	58	23	83.3	88.5	82.6	33.3	M20	UC216	F216	7.50
UCF216-49	3-1/16												UC216-49		7.68
UCF216-50	3-1/8	8-3/16	6-1/2	1-11/32	55/64	2-9/32	29/32	3-9/32	3-31/64	3.2520	1.311	3/4	UC216-50		7.55
UCF216-51	3-3/16												UC216-51		7.42
UCF217	85	220	175	36	24	63	23	87.6	92.6	85.7	34.1	M20	UC217	F217	9.66
UCF217-52	3-1/4												UC217-52		9.88
UCF217-53	3-5/16	8-21/23	6-57/64	1-27/64	15/16	2-15/32	29/32	3-7/16	3-41/64	3.3740	1.343	3/4	UC217-53		9.74
UCF217-55	3-7/16												UC217-55		9.45
UCF218	90	235	187	40	24	68	23	96.3	101.5	96	39.7	M20	UC218	F218	12.06
UCF218-56	3-1/2	9-1/4	7-23/64	1-37/64	15/16	2-11/16	29/32	3-25/32	4	3.7795	1.5630	3/4	UC218-56		12.17



Unit No.	Dimensions <small>mm</small>										Bolt Size <small>mm</small> <small>inch</small>	Bearing No.	Housing No.	Weight (kg)
	d	a	e	i	g	l	S	z	B ₁	n				
HCF204	20	86	64	15	12	25.5	12	41.6	43.7	17.1	M10	HC204	F204	0.63
HCF204-12	3/4	3-3/8	2-33/64	19/32	15/32	1	15/32	1-41/64	1.720	0.673	3/8	HC204-12		0.63
HCF205	25	95	70	16	14	27	12	42.9	44.4	17.5	M10	HC205	F205	0.87
HCF205-13	13/16											HC205-13		0.92
HCF205-14	7/8	3-3/4	2-3/4	5/8	35/64	1-1/16	15/32	1-11/16	1.748	0.889	3/8	HC205-14		0.91
HCF205-15	15/16											HC205-15		0.89
HCF205-16	1											HC205-16		0.87
HCF206	30	108	83	18	14	31	12	48.1	48.4	18.3	M10	HC206	F206	1.25
HCF206-17	1-1/16											HC206-17		1.30
HCF206-18	1-1/8	4-1/4	3-17/64	45/64	35/64	1-7/32	15/32	1-57/64	1.906	0.720	3/8	HC206-18		1.27
HCF206-19	1-3/16											HC206-19		1.25
HCF206-20	1-1/4											HC206-20		1.24
HCF207	35	117	92	19	16	34	14	51.3	51.1	18.8	M12	HC207	F207	1.58
HCF207-20	1-1/4											HC207-20		1.65
HCF207-21	1-5/16	4-39/64	3-5/8	3/4	5/8	1-11/32	35/64	2-1/64	2.012	0.740	7/16	HC207-21		1.61
HCF207-22	1-3/8											HC207-22		1.58
HCF207-23	1-7/16											HC208-23		1.55
HCF208	40	130	102	21	16	36	16	55.9	56.3	21.4	M14	HC208	F208	1.99
HCF208-24	1-1/2	5-1/8	4-1/64	53/64	5/8	1-27/32	5/8	2-13/64	2.217	0.843	1/2	HC208-24		2.04
HCF208-25	1-9/16											HC208-25		2.00
HCF209	45	137	105	22	18	38	16	56.9	56.3	21.4	M14	HC209	F209	2.32
HCF209-26	1-5/8											HC209-26		2.43
HCF209-27	1-11/16	5-13/32	4-9/64	55/64	55/64	1-1/2	5/8	2-15/64	2.217	0.843	1/2	HC209-27		2.38
HCF209-28	1-3/4											HC209-28		2.34
HCF210	50	143	111	22	18	40	16	60.1	62.7	24.6	M14	HC210	F210	2.61
HCF210-29	1-13/16											HC210-29		2.76
HCF210-30	1-7/8	5-5/8	4-3/8	55/64	23/32	1-9/16	5/8	2-3/8	2.469	0.969	1/2	HC210-30		2.70
HCF210-31	1-15/16											HC210-31		2.64
HCF210-32	2											HC210-32		2.58
HCF211	55	162	130	25	20	43	19	68.6	71.4	27.8	M16	HC211	F211	3.52
HCF211-32	2											HC211-32		3.72
HCF211-33	2-1/16	6-3/8	5-1/8	63/64	25/32	1-11/16	3/4	2-45/64	2.811	1.094	5/8	HC211-33		3.64
HCF211-34	2-1/8											HC211-34		3.57
HCF211-35	2-3/16											HC211-35		3.49
HCF212	60	175	143	29	20	48	19	75.8	77.8	31	M16	HC212	F212	4.62
HCF212-36	2-1/4											HC212-36		4.78
HCF212-37	2-5/16	6-57/64	5-5/8	1-9/64	25/32	1-57/64	3/4	2-63/64	3.063	1.220	5/8	HC212-37		4.69
HCF212-38	2-3/8											HC212-38		4.64
HCF212-39	2-7/16											HC212-39		4.51
HCF213	65	187	149	30	22	50	19	81.6	85.7	34.1	M16	HC213	F213	5.55
HCF213-40	2-1/2	7-23/64	5-55/64	1-3/16	55/64	1-31/32	3/4	3-7/32	3.374	1.343	5/8	HC213-40		5.65
HCF213-41	2-9/16											HC213-41		5.54
HCF214	70	193	152	31	22	54	19	82.6	85.7	34.1	M16	HC214	F214	6.35
HCF214-42	2-3/8											HC214-42		6.59
HCF214-43	2-11/16	7-19/32	5-63/64	1-7/32	55/64	2-1/8	3/4	3-1/4	3.374	1.343	5/8	HC214-43		6.48
HCF214-44	2-3/4											HC214-44		6.36
HCF215	75	200	159	34	22	56	19	88.8	92.1	37.3	M16	HC215	F215	7.54
HCF215-45	2-13/16											HC215-45		7.84
HCF215-46	2-7/8	7-7/8	6-17/64	1-11/32	55/64	2-7/32	3/4	3-1/2	3.626	1.426	5/8	HC215-46		7.71
HCF215-47	2-15/16											HC215-47		7.58
HCF215-48	3											HC215-48		7.44

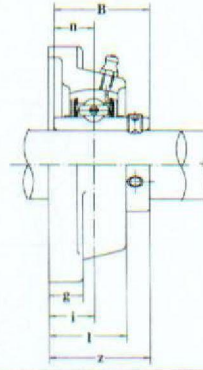
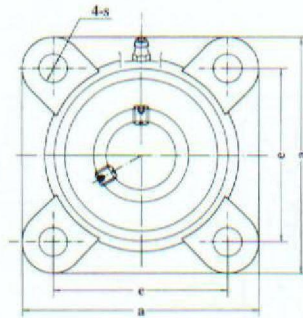
Flange Units (square)
(with adapter mounted)

UKF2 (Normal-duty)



UKF-C₁(D₁)

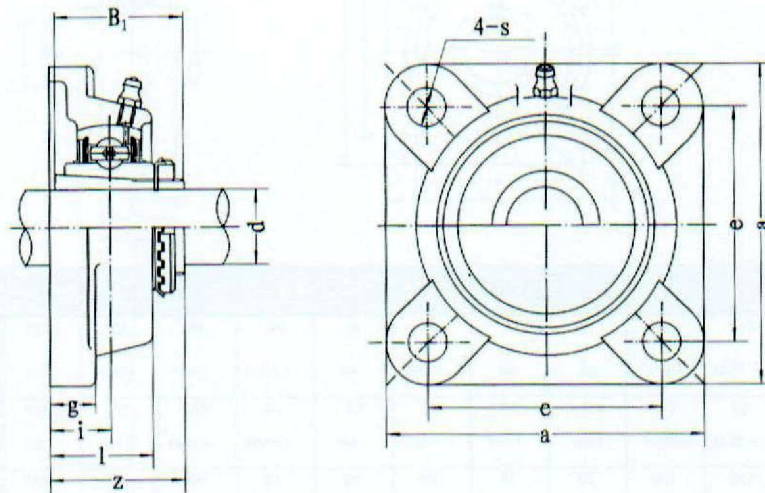
Unit No.	Dimensions										Bearing Size mm inch	Bearing No.	Housing No.	Weight (kg)
	d	a	e	i	g	l	s	z	t	B ₁				
UKF205;H2305	20	95	70	16	14	27	12	35.5	40	35	M10	UK205;H2305	F205	0.85
UKF205;HE2305	3/4	3-3/4	2-3/4	5/8	35/64	1-1/16	15/32	1-25/64	1-9/16	1.378	3/8	UK205;HE2305		
UKF206;H2306	25	108	83	18	14	31	12	39	44.5	38	M10	UK206;H2306	F206	1.16
UKF206;HS2306	7/8	4-1/4	3-17/64	45/64	35/64	1-7/32	15/32	1-17/32	1-3/4	1.496	3/8	UK206;HS2306		
UKF206;HE2306	1											UK206;HE2306		
UKF207;H2307	30	117	92	19	16	34	14	42.5	48.5	43	M12	UK207;H2307	F207	1.55
UKF207;HS2307	1-1/8	4-39/64	3-5/8	3/4	5/8	1-11/32	35/64	1-43/64	1-29/32	1.693	7/16	UK207;HS2307		
UKF208;H2308	35	130	102	21	16	36	16	46.5	55.5	46	M14	UK208;H2308	F208	1.94
UKF208;HE2308	1-1/4	5-1/8	4-1/64	53/64	5/8	1-27/64	5/8	1-53/64	2-3/16	1.811	1/2	UK208;HE2308		
UKF208;HS2308	1-3/8											UK208;HS2308		
UKF209;H2309	40	137	105	22	18	38	16	48.5	56.5	50	M14	UK209;H2309	F209	2.30
UKF209;HA2309	1-7/16	5-13/32	4-9/64	55/64	23/32	1-1/2	5/8	1-29/32	2-7/32	1.969	1/2	UK209;HA2309		
UKF209;HE2309	1-1/2											UK209;HE2309		
UKF209;HS2309	1-5/8											UK209;HS2309		
UKF210;H2310	45											143	111	22
UKF210;HS2310	1-5/8	5-5/8	4-3/8	55/64	23/32	1-9/16	5/8	1-31/32	2-11/32	2.165	1/2	UK210;HS2310		
UKF210;HA2310	1-11/16											UK210;HA2310		
UKF210;HE2310	1-3/4											UK210;HE2310		
UKF211;H2311	50											162	130	25
UKF211;HS2311	1-7/8	6-3/8	5-1/8	63/64	25/32	1-11/16	3/4	2-9/64	2-31/64	2.323	5/8	UK211;HS2311		
UKF211;HA2311	1-15/16											UK211;HA2311		
UKF211;HE2311	2											UK211;HE2311		
UKF212;H2312	55											175	143	29
UKF212;HS2312	2-1/8	6-57/64	5-5/8	1-9/64	25/32	1-57/64	3/4	2-13/32	2-57/64	2.441	5/8	UK212;HS2312		
UKF213;H2313	60	187	149	30	22	50	19	64	74.5	65	M16	UK213;H2313	F213	4.90
UKF213;HA2313	2-3/16	7-23/64	5-55/64	1-3/16	55/64	1-31/32	3/4	2-33/64	2-15/16	2.559	5/8	UK213;HA2313		
UKF213;HE2313	2-1/4											UK213;HE2313		
UKF213;HS2313	2-3/8											UK213;HS2313		
UKF215;H2315	65											200	159	34
UKF215;HA2315	2-7/16	7-7/8	6-17/64	1-11/32	55/64	2-7/32	3/4	2-51/64	3-9/32	2.874	5/8	UK215;HA2315		
UKF215;HE2315	2-1/2											UK215;HE2315		
UKF216;H2316	70											208	165	34
UKF216;HA2316	2-11/16	8-3/16	6-1/2	1-11/32	55/64	2-9/32	29/32	2-57/64	3-31/64	3.071	3/4	UK216;HA2316		
UKF216;HE2316	2-3/4											UK216;HE2316		
UKF217;H2317	75											220	175	36
UKF217;HA2317	2-15/16	8-21/32	6-57/64	1-27/64	15/16	2-15/32	29/32	3-1/32	3-41/64	3.228	3/4	UK217;HA2317		
UKF217;HE2317	3											UK217;HE2317		
UKF218;H2318	80											235	187	40
UKF218;HA2318	3-3/16	9-1/4	7-23/64	1-37/64	15/16	2-11/16	29/32	3-13/64	4	3.386	3/4	UK218;HA2318		



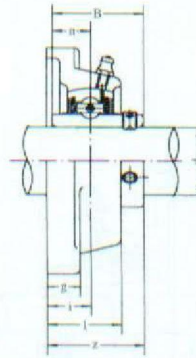
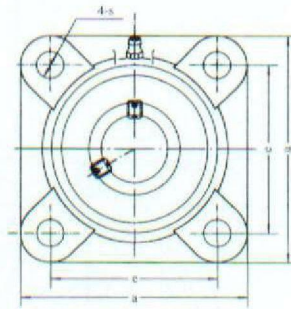
Unit No.	Dimensions <small>mm in.</small>										Bolt Size <small>mm inch</small>	Bearing No.	Housing No.	Weight (kg)
	d	a	e	l	g	l	s	z	B	n				
UCFX05	25	108	83	18	13	30	12	40.2	38.1	15.9	M10	UCX05	FX05	1.0
UCFX05-13	13/16											UCX05-13		
UCFX05-14	7/8	4-1/4	3-17/64	45/64	1/2	1-3/16	15/32	1-19/32	1.5000	0.626	3/8	UCX05-14		
UCFX05-15	15/16											UCX05-15		
UCFX05-16	1											UCX05-16		
UCFX06	30	117	92	19	14	34	16	44.4	42.9	17.5	M14	UCX06	FX06	1.7
UCFX06-17	1-1/16											UCX06-17		
UCFX06-18	1-1/8	4-39/64	3-5/8	3/4	9/16	1-11/32	5/8	1-3/4	1.6890	0.689	1/2	UCX06-18		
UCFX06-19	1-3/16											UCX06-19		
UCFX06-20	1-1/4											UCX06-20		
UCFX07	35	130	102	21	14	38	16	51.2	49.2	19	M14	UCX07	FX07	2.1
UCFX07-21	1-5/16											UCX07-21		
UCFX07-22	1-3/8	5-1/8	4-1/64	53/64	9/16	1-1/2	5/8	2-1/64	1.9370	0.748	1/2	UCX07-22		
UCFX07-23	1-7/16											UCX07-23		
UCFX08	40	137	105	22	14	40	19	52.2	49.2	19	M16	UCX08	FX08	2.4
UCFX08-24	1-1/2	5-13/32	4-9/64	55/64	9/16	1-9/16	3/4	2-1/64	1.9370	0.748	5/8	UCX08-24		
UCFX08-25	1-9/16											UCX08-25		
UCFX09	45	143	111	23	14	40	19	55.6	51.6	19	M16	UCX09	FX09	2.5
UCFX09-26	1-5/8											UCX09-26		
UCFX09-27	1-11/16	5-5/8	4-3/8	29/32	9/16	1-9/16	3/4	2-3/16	2.0315	0.748	5/8	UCX09-27		
UCFX09-28	1-3/4											UCX09-28		
UCFX09-29	1-13/16											UCX09-29		
UCFX10	50	162	130	26	20	44	19	59.4	55.6	22.2	M16	UCX10	FX10	3.9
UCFX10-30	1-7/8											UCX10-30		
UCFX10-31	1-15/16	6-3/8	5-1/8	1-1/32	25/32	1-23/32	3/4	2-11/32	2.1890	0.874	5/8	UCX10-31		
UCFX10-32	2											UCX10-32		
UCFX11	55	175	143	29	20	49	19	68.7	65.1	25.4	M16	UCX11	FX11	4.9
UCFX11-33	2-1/16											UCX11-33		
UCFX11-34	2-1/8	6-57/64	5-5/8	1-9/64	25/32	1-15/16	3/4	2-45/64	2.5630	1.000	5/8	UCX11-34		
UCFX11-35	2-3/16											UCX11-35		
UCFX11-36	2-1/4											UC211-36		
UCFX11-37	2-5/16											UC211-37		
UCFX12	60	187	149	34	21	59	19	73.7	65.1	25.4	M16	UCX12		
UCFX12-38	2-3/8	7-23/64	5-55/64	1-11/32	13/16	2-5/16	3/4	2-29/32	2.5630	1.000	5/8	UCX12-38		
UCFX12-39	2-7/16											UCX12-39		
UCFX13	65	187	149	34	21	59	19	78.4	74.6	30.2	M16	UCX13	FX13	5.3
UCFX13-40	2-1/2	7-23/64	5-55/64	1-11/32	13/16	2-5/16	3/4	3-3/32	2.9370	1.189	5/8	UCX13-40		
UCFX13-41	2-9/16											UCX13-41		
UCFX14	70	197	152	37	24	60	23	81.5	77.8	33.3	M20	UCX14	FX14	7.3
UCFX14-42	2-5/8											UCX14-42		
UCFX14-43	2-11/16	7-3/4	5-63/64	1-29/64	15/16	2-3/8	29/32	3-13/64	3.0630	1.311	3/4	UCX14-43		
UCFX14-44	2-3/4											UCX14-44		
UCFX15	75	197	152	40	24	68	23	89.3	82.6	33.3	M20	UCX15	FX15	8.1
UCFX15-45	2-13/16											UCX15-45		
UCFX15-46	2-7/8	7-3/4	5-63/64	1-37/64	15/16	2-11/16	29/32	3-33/64	3.2520	1.311	3/4	UCX15-46		
UCFX15-47	2-15/16											UCX15-47		
UCFX15-48	3											UCX15-48		
UCFX16	80	214	171	40	24	70	23	91.6	85.7	34.1	M20	UCX16	FX16	9.9
UCFX16-49	3-1/16											UCX16-49		
UCFX16-50	3-1/8	8-7/16	6-47/64	1-37/64	15/16	2-3/4	29/32	3-39/64	3.3740	1.343	3/4	UCX16-50		
UCFX16-51	3-3/16											UCX16-51		
UCFX16-52	3-1/4											UCX16-52		
UCFX17	85	214	171	40	24	70	23	96.3	96	39.7	M20	UCX17	FX17	11
UCFX17-53	3-5/16											UCX17-53		
UCFX17-55	3-7/16	8-7/16	6-47/64	1-37/64	15/16	2-3/4	29/32	3-25/32	3.7795	1.563	3/4	UCX17-55		
UCFX18	90	214	171	45	24	76	23	106.1	104	42.9	M20	UCX18	FX18	11
UCFX18-56	3-1/2	8-7/16	6-47/64	1-49/64	15/16	3	29/32	4-3/16	4.0945	1.689	3/4	UCX18-56		
UCFX20	100	268	211	59	31	97	31	127.3	117.5	49.2	M27	UCX20	FX20	17
UCFX20-64	4	10-9/16	8-5/16	2-21/64	1-7/32	3-13/16	1-7/32	5-1/64	4.6260	1.689	1	UCX20-64		

Flange Units(square)
(with adapter mounted)

UKFX (Medium-duty)



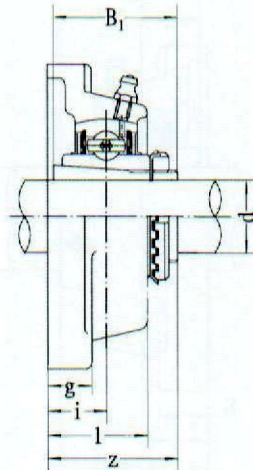
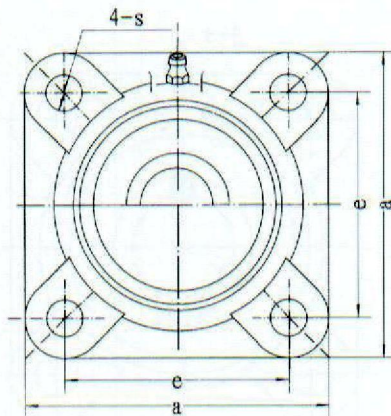
Unit No.	Dimensions <small>mm in.</small>									Bolt Used mm	Bearing NO.	Housing NO.	Weight (kg)
	d	a	e	i	g	l	s	z	B ₁				
UKFX05;H2305	20	108	83	18	13	30	12	39	35	M10	UKFX05;H2305	FX05	1.2
UKFX05;HE2305	3/4	4-1/4	3-17/64	45/64	1/2	1-3/16	15/32	1-17/32	1.378	3/8	UKFX05;HE2305		
UKFX06;H2306	25	117	92	19	14	34	16	41.5	38	M14	UKFX06;H2306	FX06	1.6
UKFX06;HS2306	7/8	4-39/64	3-5/8	3/4	9/16	1-11/32	5/8	1-41/64	1.496	1/2	UKFX06;HS2306		
UKFX06;HE2306	1										UKFX06;HE2306		
UKFX07;H2307	30	130	102	21	14	38	16	45.5	43	M14	UKFX07;H2307	FX07	2.0
UKFX07;HS2307	1-1/8	5-1/8	4-1/64	53/64	9/16	1-1/2	5/8	1-51/64	1.693	1/2	UKFX07;HS2307		
UKFX08;H2308	35	137	105	22	14	40	19	47.5	46	M16	UKFX08;H2308	FX08	2.3
UKFX08;HE2308	1-1/4	5-13/32	4-9/64	55/64	9/16	1-9/16	3/4	1-7/8	1.811	5/8	UKFX08;HE2308		
UKFX08;HS2308	1-3/8										UKFX08;HS2308		
UKFX09;H2309	40	143	111	23	14	40	19	50	50	M16	UKFX09;H2309	FX09	2.7
UKFX09;HA2309	1-5/8										UKFX09;HA2309		
UKFX09;HE2309	1-1/2	5-5/8	4-3/8	29/32	9/16	1-9/16	3/4	1-31/32	1.989	5/8	UKFX09;HE2309		
UKFX09;HS2309	1-5/8										UKFX09;HS2309		
UKFX10;H2310	45	162	130	26	20	44	19	55.5	55	M16	UKFX10;H2310	FX10	3.6
UKFX10;HS2310	1-5/8										UKFX10;HS2310		
UKFX10;HA2310	1-11/16	6-3/8	5-1/8	1-1/32	25/32	1-23/32	3/4	2-3/16	2.165	5/8	UKFX10;HA2310		
UKFX10;HE2310	1-3/4										UKFX10;HE2310		
UKFX11;H2311	50	175	143	29	20	49	19	60	59	M16	UKFX11;H2311	FX11	4.6
UKFX11;HS2311	1-7/8										UKFX11;HS2311		
UKFX11;HA2311	1-15/16	6-57/64	5-5/8	1-9/64	25/32	1-15/16	3/4	2-23/64	2.323	5/8	UKFX11;HA2311		
UKFX11;HE2311	2										UKFX11;HE2311		
UKFX12;H2312	55	187	149	34	21	59	19	67	62	M16	UKFX12;H2312	FX12	5.5
UKFX12;HS2312	2-1/8	7-23/64	5-55/64	1-11/32	13/16	2-5/16	3/4	2-41/64	2.441	5/8	UKFX12;HS2312		
UKFX13;H2313	60	187	149	34	21	59	19	68	65	M16	UKFX13;H2313	FX13	6.0
UKFX13;HA2313	2-3/16										UKFX13;HA2313		
UKFX13;HE2313	2-1/4	7-23/64	5-55/64	1-11/32	13/16	22-5/16	3/4	2-11/16	2.559	5/8	UKFX13;HE2313		
UKFX13;HS2313	2-3/8										UKFX13;HS2313		
UKFX15;H2315	65	197	152	40	24	68	23	77.5	73	M20	UKFX15;H2315	FX15	8.1
UKFX15;HA2315	2-7/16	7-3/4	5-63/64	1-37/64	15/16	2-11/16	29/32	2-3/64	2.874	3/4	UKFX15;HA2315		
UKFX15;HS2315	2-1/2										UKFX15;HS2315		
UKFX16;H2316	70	214	171	40	24	70	23	80	78	M20	UKFX16;H2316	FX16	9.5
UKFX16;HA2316	2-11/16	8-7/16	6-47/64	1-37/64	15/16	2-3/4	29/32	3-5/32	3.071	3/4	UKFX16;HA2316		
UKFX16;HS2316	2-3/4										UKFX16;HS2316		
UKFX17;H2317	75	214	171	40	24	70	23	81.5	82	M20	UKFX17;H2317	FX17	10.4
UKFX17;HA2317	2-15/16	8-7/16	6-47/64	15/16	2-3/4	29/32	3-13/64	3.228	3/4	UKFX17;HA2317			
UKFX17;HE2317	3										UKFX17;HE2317		
UKFX18;H2318	80	214	171	45	24	76	23	88	86	M20	UKFX18;H2318	FX18	11.4
UKFX18;HA2318	3-3/16	8-7/16	6-47/64	1-49/64	15/16	3	29/32	3-15/32	3.386	3/4	UKFX18;HA2318		
UKFX20;H2320	90	268	211	59	31	97	31	106	97	M27	UKFX20;H2320	FX19	18.4
UKFX20;HA2320	3-1/2	10-9/16	8-5/16	2-21/64	1-7/32	3-13/13	1-7/32	4-3/64	3.814	1	UKFX20;HA2320		



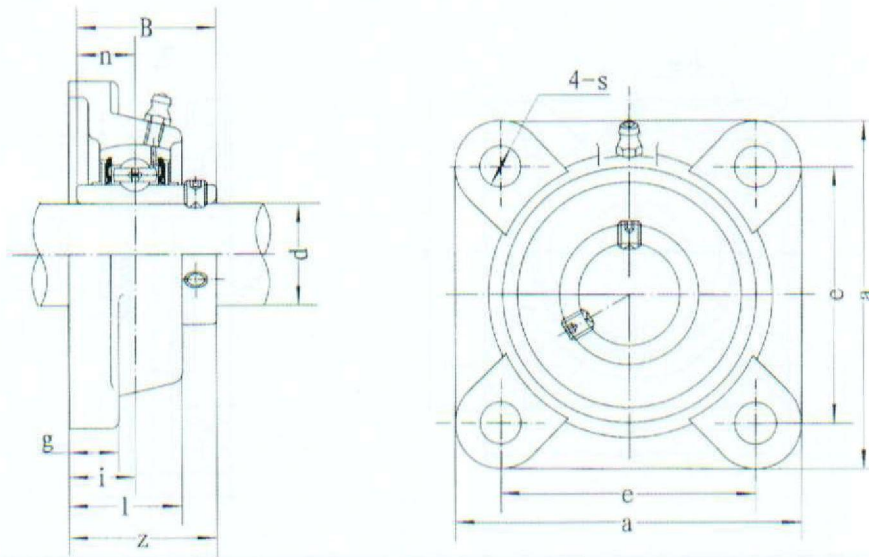
Unit No.	Dimensions										Bolt Size mm inch	Bearing No.	Housing No.	Weight (kg)
	d	a	e	g	l	s	z	B	n					
UCF305 UCF305-13 UCF305-14 UCF305-15 UCF305-16	25 13/16 3/8 7/8 15/16 3	110	80	16	13	29	16	39	38	15	M14	UC305 UC305-13 UC305-14 UC305-15	F305	1.1
UCF306 UCF306-17 UCF306-18 UCF306-19	30 1-1/16 1-1/8 1-3/16 3	125	95	18	15	32	16	44	43	17	M14	UC306-16 UC306 UC306-17 UC306-18 UC306-19	F306	1.6
UCF307 UCF307-20 UCF307-21 UCF307-22 UCF307-23	35 1-1/4 1-5/16 1-3/8 1-7/16 3	135	100	20	16	36	19	49	48	19	M16	UC307 UC307-20 UC307-21 UC307-22 UC307-23	F307	2
UCF308 UCF308-24 UCF308-25	40 1-1/2 1-9/16 3	150	112	23	17	40	19	56	52	19	M16	UC308 UC308-24 UC308-25	F308	2.7
UCF309 UCF309-26 UCF309-27 UCF309-28	45 1-5/8 1-11/16 1-3/4 3	160	125	25	18	44	19	60	57	22	M16	UC309 UC309-26 UC309-27 UC309-28	F309	3.4
UCF310 UCF310-29 UCF310-30 UCF310-31	50 1-13/16 1-7/8 1-15/16 3	175	132	28	19	48	23	67	61	22	M20	UC310 UC310-29 UC310-30 UC310-31	F310	4.5
UCF311 UCF311-32 UCF311-33 UCF311-34 UCF311-35	55 2 2-1/16 2-1/8 2-3/16 3	185	140	30	20	52	23	71	66	25	M20	UC311 UC311-32 UC311-33 UC311-34 UC311-35	F311	5.5
UCF312 UCF312-36 UCF312-37 UCF312-38 UCF312-39	60 2-1/4 2-5/16 2-3/8 2-7/16 3	195	150	33	22	56	23	78	71	26	M20	UC312 UC312-36 UC312-37 UC312-38 UC312-39	F312	6.5
UCF313 UCF313-40 UCF313-41	65 2-1/2 2-9/16 3	208	166	33	22	58	23	78	75	30	M20	UC313 UC313-40 UC313-41	F313	7.9
UCF314 UCF314-42 UCF314-43 UCF314-44	70 2-5/8 2-11/16 2-3/4 3	226	178	36	25	61	25	81	78	33	M22	UC314 UC314-42 UC314-43 UC314-44	F314	9.5
UCF315 UCF315-45 UCF315-46 UCF315-47 UCF315-48	75 2-13/16 2-7/8 2-15/16 3	236	184	39	25	66	25	89	82	32	M22	UC315 UC315-45 UC315-46 UC315-47 UC315-48	F315	1.2
UCF316 UCF316-49 UCF316-50 UCF316-51	80 3-1/16 3-1/8 3-3/16 3	250	196	38	27	68	31	90	86	34	M27	UC316 UC316-49 UC316-50 UC316-51	F316	14
UCF317 UCF317-52 UCF317-53 UCF317-55	85 3-1/4 3-5/16 3-7/16 3	260	204	44	27	74	31	100	96	40	M27	UC317 UC317-52 UC317-53 UC317-55	F317	18
UCF318 UCF318-55 UCF318-56	90 3-7/16 3-1/2 3	280	216	44	30	76	35	100	96	40	M30	UC318 UC318-55 UC318-56	F318	19
UCF319 UCF319-58 UCF319-59 UCF319-60	95 3-5/8 3-11/16 3-3/4 3	290	228	59	30	94	35	121	103	41	M30	UC319 UC319-58 UC319-59 UC319-60	F319	22
UCF320 UCF320-64	100 4	310	242	59	32	94	38	125	108	42	M33	UC320 UC320-64	F320	26
UCF322	110	340	266	60	35	96	41	131	117	46	M36	UC322	F322	38
UCF324	120	370	290	65	40	110	41	140	126	51	M36	UC324	F324	50
UCF326	130	410	320	65	45	115	41	146	135	54	M36	UC326	F326	66
UCF328	140	450	350	75	55	125	41	161	145	59	M36	UC328	F328	90

Flange Units (square)
(with adapter mounted)

UKF3 (Heavy-duty)



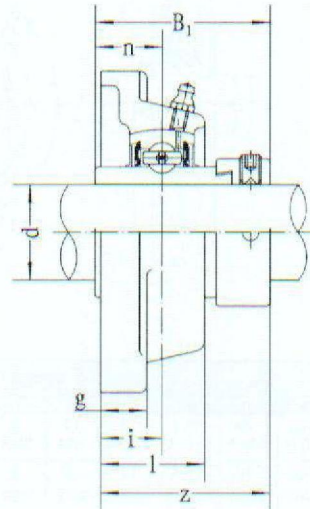
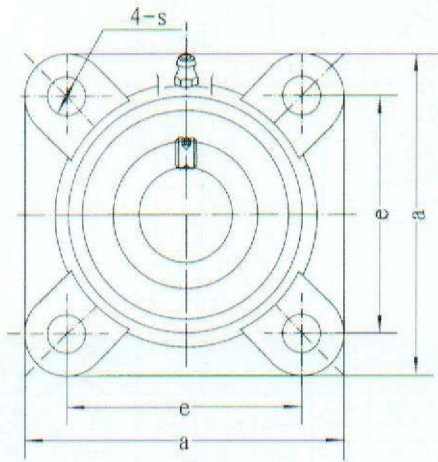
Unit No.	Dimensions mm in.										Bolt Size mm inch	Bearing No.	Housing No.	Weight (kg)
	d	a	e	l	g	i	s	z	B ₁					
UKF305;H2305	20	110	80	16	13	29	16	37	36	M14	UK305;H2305	F305	1.4	
UKF305;HE2305	3/4	4-11/32	3-5/32	5/8	1/2	1-5/32	5/8	1-29/64	1.378	1/2	UK305;HE2305			
UKF306;H2306	25	125	95	18	15	32	16	40.5	38	M14	UK306;H2306	F306	1.9	
UKF306;HS2306	7/8	4-29/32	3-47/64	45/64	19/32	1-1/4	5/8	2-19/32	1.496	1/2	UK306;HS2306			
UKF306;HE2306	1										UK306;HE2306			
UKF307;H2307	30	135	100	20	16	36	19	44.5	43	M16	UK307;H2307	F307	2.3	
UKF307;HS2307	1-1/8	5-5/16	3-15/16	25/32	5/8	1-13/32	3/4	2-3/4	1.693	5/8	UK307;HS2307			
UKF308;H2308	35	150	112	23	17	40	19	50	46	M16	UK308;H2308	F308	3.1	
UKF308;HE2308	11-1/4	5-29/32	4-13/32	29/32	21/32	1-9/16	3/4	2-31/32	1.811	5/8	UK308;HE2308			
UKF308;HS2308	1-3/8										UK308;HS2308			
UKF309;H2309	40	160	125	25	18	44	19	54.5	50	M16	UK309;H2309	F309	4.1	
UKF309;HA2309	1-7/16										UK309;HA2309			
UKF309;HE2309	1-1/2	6-6/16	4-59/64	63/64	23/32	1-23/32	3/4	2-9/64	1.969	M16	UK309;HE2309			
UKF309;HS2309	1-5/8										UK309;HS2309			
UKF310;H2310	45	175	132	28	19	48	23	60	55	M20	UK310;H2310	F310	5.1	
UKF310;HS2310	1-5/8										UK310;HS2310			
UKF310;HA2310	1-11/16	6-7/8	5-13/64	1-7/64	3/4	1-7/8	29/32	2-23/64	2.165	3/4	UK310;HA2310			
UKF310;HE2310	1-3/4										UK310;HE2310			
UKF311;H2311	50	185	140	30	20	52	23	63.5	59	M20	UK311;H2311	P311	5.9	
UKF311;HS2311	1-7/8										UK311;HS2311			
UKF311;HA2311	1-15/16	7-9/32	5-33/64	1-3/16	25/32	2-1/16	29/32	2-1/2	2.323	3/4	UK311;HA2311			
UKF311;HE2311	2										UK311;HE2311			
UKF312;H2312	55	195	150	33	22	56	23	69	62	M20	UK312;H2312	F312	6.8	
UKF312;HS2312	2-1/8	7-11/16	5-29/32	1-19/64	7/8	2-7/32	29/32	2-23/32	2.441	3/4	UK312;HS2312			
UKF313;H2313	60	208	166	33	22	58	23	71	65	M20	UK313;H2313	F313	7.9	
UKF313;HA2313	2-3/16										UK313;HA2313			
UKF313;HS2313	2-1/4	8-3/16	6-17/32	1-19/64	7/8	2-9/32	29/32	2-51/64	2.559	3/4	UK313;HS2313			
UKF313;HE2313	2-3/8										UK313;HE2313			
UKF315;H2315	65	236	184	39	25	66	25	81	73	M22	UK315;H2315	F315	11.7	
UKF315;HA2315	2-7/16										UK315;HA2315			
UKF315;HE2315	2-1/2	9-9/32	7-1/4	1-17/32	63/64	2-19/32	63/64	3-3/16	2.874	7/8	UK315;HE2315			
UKF316;H2316	70	250	196	38	27	68	31	83.5	78	M27	UK316;H2316	F316	12.9	
UKF316;HA2316	2-11/16										UK316;HA2316			
UKF316;HE2316	2-3/4	9-27/32	7-23/32	1-1/2	1-1/16	2-11/16	1-7/32	3-9/32	3.071	1	UK316;HE2316			
UKF317;H2317	75	260	204	44	27	74	31	92	82	M27	UK317;H2317	F317	15.2	
UKF317;HA2317	2-15/16										UK317;HA2317			
UKF317;HS2317	3	10-1/4	8-1/32	1-47/64	1-1/16	2-29/32	3-5/8	3.228	1		UK317;HS2317			
UKF318;H2318	80	280	216	44	30	76	35	93.5	86	M30	UK318;H2318	F318	19.0	
UKF318;HA2318	3-3/16	11-1/32	8-1/2	1-47/64	1-3/16	3	1-3/8	3-11/16	3.386	1-1/8	UK318;HA2318			
UKF319;H2319	85	290	228	59	30	94	35	111	90	M30	UK319;H2319	F319	21.9	
UKF319;HA2319	3-5/16	11-13/32	8-31/32	2-21/64	1-3/16	3-11/16	1-3/8	4-3/8	3.543	1-1/8	UK319;HA2319			
UKF320;H2320	90	310	242	59	32	94	38	115	97	M33	UK320;H2320	F320	25.4	
UKF320;HA2320	3-7/16	12-7/32	9-17/32	2-21/64	1-1/4	3-11/16	1-1/2	4-17/32	3.814	1-1/4	UK320;HA2320			
UKF322;H2322	100	340	266	60	35	96	41	121	105	M36	UK322;H2322	F322	35.2	
UKF322;HA2322	3-15/16	13-3/8	10-15/32	3-23/64	1-3/8	3-25/32	1-39/64	4-49/64	4.134	1-3/8	UK322;HA2322			
UKF324;H2324	110	370	290	65	40	110	41	130	112	M36	UK324;H2324	F324	47.6	
UKF324;HA2324	4-3/16	16-5/32	12-19/32	2-9/16	1-9/16	4-11/32	1-39/64	5-1/8	4.410	1-3/8	UK324;HA2324			
UKF326;H2326	115	410	320	65	45	115	41	134	121	M36	UK326;H2326	F326	65.3	
UKF326;HA2326	4-7/16	16-5/32	12-19/32	2-9/64	1-25/32	4-17/32	1-39/64	5-9/32	4.764	1-3/8	UK326;HA2326			
UKF328;H2328	125	450	350	75	55	125	41	148	131	M36	UK328;H2328	F328	93.4	
UKF328;HA2328	4-15/16	17-23/32	13-25/32	2-61/64	2-5/32	4-29/32	1-39/64	5-53/64	5.158	1-3/8	UK328;HA2328			



Unit No.	Dimensions ^{mm} _{in.}										Bolt Size mm inch	Bearing No.	Housing No.	Weight (kg)
	d	a	e	i	g	l	s	z	B	n				
UCSFU203	17	76	54	15	11	25.5	12	30.9	27.4	11.5	M10	UCS203	FU203	0.39
UCFU203	17	86	63.5	19	15	29.5	12	37.3	31	12.7	M10	UC203	FU204	0.65
UCFU203-11	11/16											UC203-11		
UCFU204	20	3-3/8	2-1/2	3/4	19/32	1-5/32	15/32	1-15/32	1.2205	0.500	3/8	UC204	FU204	0.63
UCFU204-12	3/4	UC204-11												
UCFU205	25	93	70	19	15	30	12	38.8	34.1	14.3	M10	UC205	FU205	0.75
UCFU205-13	13/16	3-21/32	2-3/4	3/4	19/32	1-3/16	15/32	1-17/32	1.3425	0.563	3/8	UC205-13		
UCFU205-14	7/8											UC205-14		
UCFU205-15	15/16											UC205-15		
UCFU205-16	1											UC205-16		
UCFU206	30											106	82.5	20
UCFU206-17	1-1/16	4-11/64	3-1/4	25/32	5/8	1-9/32	15/32	1-21/32	1.5000	0.626	3/8	UC206-17	FU206	1.09
UCFU206-18	1-1/8											UC206-18		
UCFU206-19	1-3/16											UC206-19		
UCFU206-20	1-1/4											UC206-20		
UCFU207	35											116		
UCFU207-20	1-1/4	4-9/16	3-5/8	53/64	43/64	1-3/8	35/64	1-53/64	1.0890	0.689	7/16	UC207-20	FU207	1.36
UCFU207-21	1-5/16											UC207-21		
UCFU207-22	1-3/8											UC207-22		
UCFU207-23	1-7/16											UC207-23		
UCFU208	40											129		
UCFU208-24	1-1/2	5-5/64	4	15/16	43/64	1-17/32	64/35	2-1/8	1.9370	0.748	7/16	UC208-24	FU208	1.81
UCFU208-25	1-9/16											UC208-25		
UCFU209	45	135	105	24	18	40	16	54.2	49.2	19	M14	UC209		
UCFU209-26	1-5/8	5-5/16	4-9/64	15/16	23/32	1-37/64	5/8	2-1/8	1.9370	0.748	1/2	UC209-26	FU209	2.15
UCFU209-27	1-11/16											UC209-27		
UCFU209-28	1-3/4											UC209-28		
UCFU210	50											143		
UCFU210-29	1-13/16	5-5/8	4-3/8	1-3/32	25/32	1-49/64	23/32	2-25/64	2.0315	0.748	1/2	UC210-29	FU210	2.51
UCFU210-30	1-7/8											UC210-30		
UCFU210-31	1-15/16											UC210-31		
UCFU210-32	2											UC210-32		
UCFU211	55											162		
UCFU211-32	2	6-3/8	5-1/8	1-7/32	53/64	1-59/64	23/32	2-17/32	2.1890	0.874	5/8	UC211-32	FU211	3.42
UCFU211-33	2-1/16											UC211-33		
UCFU211-34	2-1/8											UC211-34		
UCFU211-35	2-3/16											UC211-35		
UCFU212	60											175		
UCFU212-36	2-1/4	6-37/64	6-5/8	1-11/32	55/64	1-7/64	23/32	2-29/32	2.5630	1.000	5/8	UC212-36	FU212	4.26
UCFU212-37	2-5/16											UC212-37		
UCFU212-38	2-3/8											UC212-38		
UCFU212-39	2-7/16											UC212-39		
UCFU213	65											184		
UCFU213-40	2-1/2	7-1/4	6-55/64	1-1/2	55/64	2-9/32	23/32	3-1/16	2.5630	1.000	5/8	UC213-40	FU213	5.44
UCFU213-41	2-9/12											UC213-41		
UCFU214	70	188	152	38	23	59	18	82.4	74.6	19	M16	UC214		
UCFU214-42	1-5/8	5-5/16	4-9/64	15/16	23/32	1-37/64	5/8	2-1/8	1.9370	0.748	5/8	UC214-42	FU214	6.00
UCFU214-43	1-11/16											UC214-43		
UCFU214-44	1-3/4											UC214-44		
UCFU215	75											200		
UCFU215-45	2-13/16	7-7/8	6-17/64	1-39/64	15/16	2-7/16	23/32	3-23/64	3.0630	1.311	5/8	UC215-45	FU215	6.83
UCFU215-46	2-7/8											UC215-46		
UCFU215-47	2-15/16											UC215-47		
UCFU215-48	3											UC215-48		

Flange Units (square)

HCFU2 (Normal-duty)

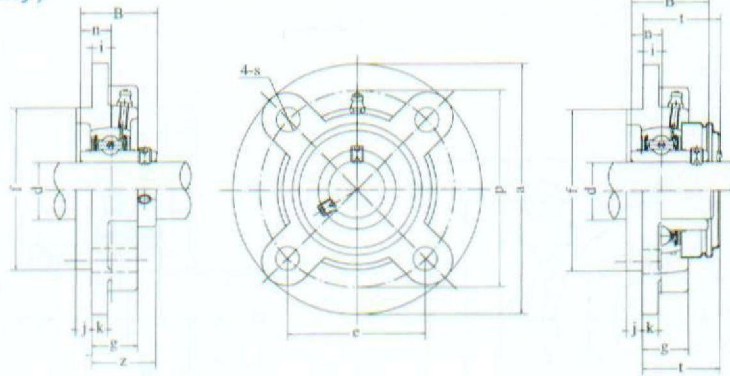


Unit No.	Dimensions ^{mm} _{in.}										Bolt Size ^{mm} _{inch}	Bearing No.	Housing No.	Weight (kg)	
	d	a	e	i	g	l	s	z	B ₁	n					
HCFU203	17												HC203	FU204	0.70
HCFU203-11	11/16	86	63.5	19	15	29.5	12	45.6	43.7	17.1	M10	HC203-11	FU204	0.70	
HCFU204	20	3-3/8	2-1/2	3/4	19/32	1-5/32	15/32	1-51/64	1.720	0.673	3/8	HC204	FU204	0.68	
HCFU204-12	3/4											HC204-12	FU204	0.68	
HCFU205	25	93	70	19	15	30	12	45.9	44.1	17.5	M10	HC205	FU205	0.81	
HCFU205-13	13/16											HC205-13	FU205	0.81	
HCFU205-14	7/8	3-21/32	2-3/4	3/4	19/32	1-3/16	15/32	1-13/16	1.748	0.689	3/8	HC205-14	FU205	0.81	
HCFU205-15	15/16											HC205-15	FU205	0.81	
HCFU205-16	1											HC205-16	FU205	0.81	
HCFU206	30	106	82.5	20	16	32.5	12	50.1	48.4	18.3	M10	HC206	FU206	1.16	
HCFU206-17	1-1/16											HC206-17	FU206	1.16	
HCFU206-18	1-1/8	4-11/64	3-1/4	25/32	5/8	1-9/32	15/32	1-31/32	1.906	0.720	3/8	HC206-18	FU206	1.16	
HCFU206-19	1-3/16											HC206-19	FU206	1.16	
HCFU206-20	1-1/4											HC206-20	FU206	1.16	
HCFU207	35	116	92	21	17	35	14	53.3	51.1	18.8	M12	HC207	FU207	1.50	
HCFU207-20	1-1/4											HC207-20	FU207	1.50	
HCFU207-21	1-5/16	4-9/16	3-5/8	53/64	43/64	1-3/8	35/64	2-3/32	2.012	0.740	7/16	HC207-21	FU207	1.50	
HCFU207-22	1-3/8											HC207-22	FU207	1.50	
HCFU207-23	1-7/16											HC207-23	FU207	1.50	
HCFU208	40	129	101.5	24	17	39	14	58.9	56.3	21.4	M12	HC208	FU208	1.95	
HCFU208-24	1-1/2	5-5/64	4	15/16	43/64	1-17/32	64/35	2-5/16	2.217	0.843	7/16	HC208-24	FU208	1.95	
HCFU208-25	1-9/16											HC208-25	FU208	1.95	
HCFU209	45	135	105	24	18	40	16	58.9	56.3	21.4	M14	HC209	FU209	2.27	
HCFU209-26	1-5/8											HC209-26	FU209	2.27	
HCFU209-27	1-11/16	5-5/16	4-9/64	15/16	23/32	1-37/64	5/8	2-5/16	2.217	0.843	1/2	HC209-27	FU209	2.27	
HCFU209-28	1-3/4											HC209-28	FU209	2.27	
HCFU210	50	143	111	28	20	45	18	66.1	62.7	24.6	M16	HC210	FU210	2.71	
HCFU210-29	1-13/16											HC210-29	FU210	2.71	
HCFU210-30	1-7/8	5-5/8	4-3/8	1-3/32	25/32	1-49/64	23/32	2-39/64	2.469	0.969	5/8	HC210-30	FU210	2.71	
HCFU210-31	1-15/16											HC210-31	FU210	2.71	
HCFU210-32	2											HC210-32	FU210	2.71	
HCFU211	55	162	130	31	21	49	18	74.6	55.6	22.2	M16	HC211	FU211	3.70	
HCFU211-32	2											HC211-32	FU211	3.70	
HCFU211-33	2-1/16	6-3/8	5-1/8	1-7/32	53/64	1-59/64	23/32	2-17/32	2.1890	0.874	5/8	HC211-33	FU211	3.70	
HCFU211-34	2-1/8											HC211-34	FU211	3.70	
HCFU211-35	2-3/16											HC211-35	FU211	3.70	
HCFU212	60	175	143	34	22	53.5	18	80.8	77.8	31	M16	HC212	FU212	4.59	
HCFU212-36	2-1/4											HC212-36	FU212	4.59	
HCFU212-37	2-5/16	6-37/64	5-5/8	1-11/32	55-64	1-7/64	23/32	3-3/16	3.063	1.220	5/8	HC212-37	FU212	4.59	
HCFU212-38	2-3/8											HC212-38	FU212	4.59	
HCFU212-39	2-7/16											HC212-39	FU212	4.59	
HCFU213	65	184	149	38	22	58	18	89.6	85.7	34.1	M16	HC213	FU213	5.99	
HCFU213-40	2-1/2	7-1/4	5-55/64	1-1/2	55/64	2-9/32	23/32	3-17/32	3.374	1.343	5/8	HC213-40	FU213	5.99	
HCFU213-41	2-9/12											HC213-41	FU213	5.99	
HCFU214	70	188	152	38	23	59	18	89.6	85.7	34.1	M16	HC214	FU214	6.39	
HCFU214-42	2-3/8											HC214-42	FU214	6.39	
HCFU214-43	2-11/16	7-13/32	5-63/64	1-1/2	29/32	2-21/64	23/32	3-17/32	3.374	1.343	5/8	HC214-43	FU214	6.39	
HCFU214-44	2-3/4											HC214-44	FU214	6.39	
HCFU215	75	200	159	41	24	62	18	95.8	92.1	37.3	M16	HC215	FU215	7.32	
HCFU215-45	2-13/16											HC215-45	FU215	7.32	
HCFU215-46	2-7/8	7-7/8	6-17/64	1-39/64	15/16	2-7/16	23/32	3-49/64	3.626	1.489	5/8	HC215-46	FU215	7.32	
HCFU215-47	2-15/16											HC215-47	FU215	7.32	
HCFU215-48	3											HC215-48	FU215	7.32	



UCFC2 (Normal-duty)

Flange Cartridge Units

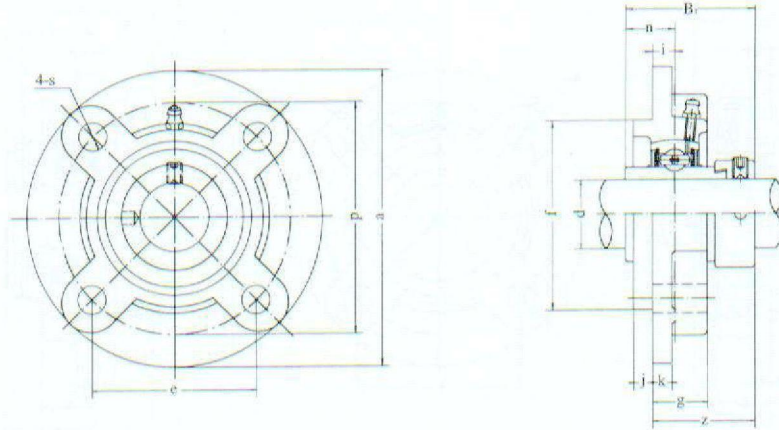


UCFC-C1(D1)

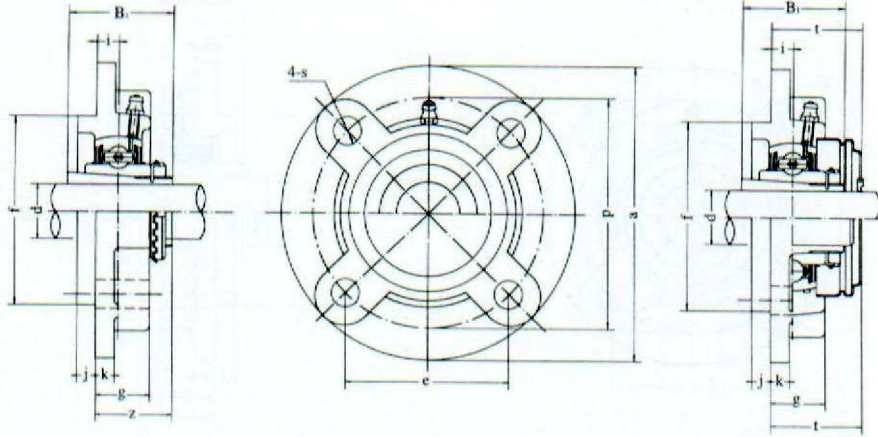
Unit No.	Dimensions mm														Bolt Size mm inch	Bearing No.	Housing No.	Weight (kg)
	d	a	p	e	i	S	J	k	g	f	z	t	B	n				
UCFC201	12	100	78	55.1	10	12	5	7	20.5	62	28.3	32.5	31	12.7	M10	UC201	FC204	0.73
UCFC201-8	1/2	3-15/16	3-5/64	2-11/64	25/64	15/32	13/64	9/32	13/16	2.4409	1-1/8	1-9/32	1.2205	0.500	3/8	UC201-8		0.72
UCFC202	15	100	78	55.1	10	12	5	7	20.5	62	28.3	32.5	31	12.7	M10	UC202	FC204	0.72
UCFC202-9	9/16	3-15/16	3-5/64	2-11/64	25/64	15/32	13/64	9/32	13/16	2.4409	1-1/8	1-9/32	1.2205	0.500	3/8	UC202-9		0.72
UCFC202-10	5/8															UC202-10	0.72	
UCFC203	17	100	78	55.1	10	12	5	7	20.5	62	28.3	32.5	31	12.7	M10	UC203	FC204	0.71
UCFC203-11	11/16	3-15/16	3-5/64	2-11/64	25/64	15/32	13/64	9/32	13/16	2.4409	1-1/8	1-9/32	1.2205	0.500	3/8	UC203-11		0.70
UCFC204	20	100	78	55.1	10	12	5	7	20.5	62	28.3	32.5	31	12.7	M10	UC204	FC204	0.69
UCFC204-12	3/4	3-15/16	3-5/64	2-11/64	25/64	15/32	13/64	9/32	13/16	2.4409	1-1/8	1-9/32	1.2205	0.500	3/8	UC204-12		0.69
UCFC205	25	115	90	63.6	10	12	6	7	21	70	29.8	34	34.1	14.3	M10	UC205	FC205	1.00
UCFC205-13	13/16															UC205-13		1.04
UCFC205-14	7/8	4-17/32	3-35/64	2-1/2	25/64	15/32	15/64	9/32	53/64	2.7559	1-11/64	1-11/32	1.3425	0.563	3/8	UC205-14		1.03
UCFC205-15	15/16															UC205-15		1.01
UCFC205-16	1															UC205-16		1.00
UCFC206	30	125	100	70.7	10	12	8	8	23	80	32.2	36.5	38.1	15.9	M10	UC206	FC206	1.30
UCFC206-17	1-1/16															UC206-17		1.31
UCFC206-18	1-1/8	4-59/64	3-15/16	2-25/32	25/64	15/32	5/16	5/16	29/32	3.1496	1-17/64	1-7/16	1.5000	0.626	3/8	UC206-18		1.32
UCFC206-19	1-3/16															UC206-19		1.30
UCFC206-20	1-1/4															UC206-20		1.29
UCFC207	35	135	110	77.8	11	14	8	9	26	90	36.4	41	42.9	17.5	M12	UC207	FC207	1.81
UCFC207-20	1-1/4															UC207-20		1.87
UCFC207-21	1-5/16	5-5/16	4-21/64	3-1/16	7/16	35/64	5/16	23/64	1-1/32	3.5433	1-7/16	1-5/8	1.6890	0.689	7/16	UC207-21		1.84
UCFC207-22	1-3/8															UC207-22		1.81
UCFC207-23	1-7/16															UC207-23		1.76
UCFC208	40	145	120	84.8	11	14	10	9	26	100	41.2	45.5	49.2	19	M12	UC208	FC208	2.14
UCFC208-24	1-1/2	5-45/64	4-23/32	3-11/32	7/16	35/64	25/64	23/64	1-1/32	3.9370	1-5/8	1-51/64	1.9370	0.748	7/16	UC208-24		2.18
UCFC208-25	1-9/16															UC208-25		2.15
UCFC209	45	160	132	93.3	10	16	12	14	26	105	40.2	44.5	49.2	19	M14	UC209	FC209	2.68
UCFC209-26	1-5/8	6-19/64	5-13/64	3-43/64	25/64	5/8	15/32	35/64	1-1/32	4.1339	1-37/64	1-3/4	1.9370	0.748	1/2	UC209-26		2.78
UCFC209-27	1-11/16															UC209-27		2.74
UCFC209-28	1-3/4															UC209-28		2.70
UCFC210	50	165	138	97.6	10	16	12	14	28	110	42.6	47.5	51.6	19	M14	UC210	FC210	2.90
UCFC210-29	1-13/16															UC210-29		3.02
UCFC210-30	1-7/8	6-1/2	5-7/16	3-27/32	25/64	5/8	15/32	35/64	1-7/64	4.3307	1-11/16	1-7/8	2.0315	0.748	1/2	UC210-30		2.97
UCFC210-31	1-15/16															UC210-31		2.92
UCFC210-32	2															UC210-32		2.88
UCFC211	55	185	150	106.1	13	19	12	15	31	125	46.4	51	55.6	22.2	M16	UC211	FC211	4.01
UCFC211-32	2															UC211-32		4.16
UCFC211-33	2-1/16	7/8	5-29/32	4-3/16	33/64	3/4	15/32	19/32	1-7/32	4.9213	1-53/64	2-1/64	2.1890	0.874	5/8	UC211-33		4.10
UCFC211-34	2-1/8															UC211-34		4.05
UCFC211-35	2-3/16															UC211-35		3.99
UCFC212	60	195	160	113.1	17	19	12	15	36	135	56.7	61.5	65.1	25.4	M16	UC212	FC212	4.94
UCFC212-36	2-1/4															UC212-36		5.07
UCFC212-37	2-5/16	7-11/16	6-19/64	4-29/64	43/64	3/4	15/32	19/32	1-27/64	5.3150	2-15/64	2-27/64	2.5630	1.000	5/8	UC212-37		4.99
UCFC212-38	2-3/8															UC212-38		4.92
UCFC212-39	2-7/16															UC212-39		4.85
UCFC213	65	205	170	120.2	16	19	14	15	36	145	55.7	60.5	65.1	25.4	M16	UC213	FC213	5.65
UCFC213-40	2-1/2	8-5/64	6-11/16	4-47/64	5/8	3/4	35/64	19/32	1-27/64	5.5118	1-3/16	2-25/64	2.5630	1.000	5/8	UC213-40		5.74
UCFC213-41	2-9/16															UC213-41		5.65
UCFC214	70	215	177	125.1	17	19	14	18	40	150	61.4		74.6	30.2	M16	UC214	FC214	6.95
UCFC214-42	2-5/8															UC214-42		7.16
UCFC214-43	2-11/16	8-15/32	6-31/32	4-59/64	43/64	3/4	35/64	23/32	1-37/64	5.9055	1-13/32		2.9370	1.189	5/8	UC214-43		7.06
UCFC214-44	2-3/4															UC214-44		6.96
UCFC215	75	220	184	130.1	18	19	16	18	40	160	62.5		77.8	33.3	M16	UC215	FC215	7.56
UCFC215-45	2-13/16															UC215-45		7.81
UCFC215-46	2-7/8	8-21/32	7-1/4	5-1/8	23/32	3/4	5/8	23/32	1-37/64	6.2992	2-15/32		3.0630	1.311	5/8	UC215-46		7.70
UCFC215-47	2-15/16															UC215-47		7.59
UCFC215-48	3															UC215-48		7.47
UCFC216	80	240	200	141.4	18	23	16	18	42	170	67.3		82.6	33.3	M20	UC216	FC216	9.15
UCFC216-49	3-1/16															UC216-49		9.28
UCFC216-50	3-1/8	9-29/64	7-7/8	5-9/16	23/32	29/32	5/8	23/32	1-21/32	6.6929	2-21/32		3.2520	1.311	3/4	UC216-50		9.20
UCFC216-51	3-3/16															UC216-51		9.07
UCFC217	85	250	208	147.1	18	23	18	20	45	180	69.6		85.7	34.1	M20	UC217	FC217	10.81
UCFC217-52	3-1/4															UC217-52		11.03
UCFC217-53	3-5/16	9-27/32	8-3/16	5-51/64	23/32	29/32	23/32	25/32	1-25/32	7.0866	2-3/4		3.3740	1.343	3/4	UC217-53		10.89
UCFC217-55	3-7/16															UC217-55		10.60
UCFC218	90	265	220	155.5	22	23	18	20	50	190	78.3		96	39.7	M20	UC218	FC218	12.96
UCFC218-56	3-1/2	10-7/16	8-21/32	6-1/8	55/64	29/32	23/32	25/32	1-31/32	7.4803	3-3/32		3.7795	1.5630	3/4	UC218-56		13.07

Flange Cartridge Units

HCFC 2 (Normal - duty)



Unit No.	Dimensions ^{mm} _{in.}														Bolt Size mm inch	Bearing No.	Housing No.	Weight (kg)
	d	a	p	e	j	s	j	k	g	f	z	B	n					
HCFC204	20	100	78	55.1	10	12	5	7	20.5	62	36.6	43.7	17.1	M10	HC204	FC204	0.76	
HCFC204-12	3/4	3-15/16	3-5/64	2-11/64	25/64	15/32	13/64	9/32	13/16	2.4409	1-7/16	1.720	0.673	3/8	HC204-12		0.76	
HCFC205	25	115	90	63.6	10	12	6	7	21	70	36.9	44.4	17.5	M10	HC205	FC205	1.07	
HCFC205-13	13/16														HC205-13		1.12	
HCFC205-14	7/8	4-17/32	3-35/64	2-1/2	25/64	15/32	15/64	9/32	53/64	2.7559	1-29/64	1.748	0.689	3/8	HC205-14		1.11	
HCFC205-15	15/16														HC205-15		1.09	
HCFC205-16	1														HC205-16		1.07	
HCFC206	30	125	100	70.7	10	12	8	8	23	80	40.1	48.4	18.3	M10	HC206	FC206	1.43	
HCFC206-17	1-1/16														HC206-17		1.48	
HCFC206-18	1-3/8	4-59/64	3-15/16	2-25/32	25/64	15/32	5/16	5/16	29/32	3.1496	1-37/64	1.906	0.720	3/8	HC206-18		1.45	
HCFC206-19	1-3/16														HC206-19		1.43	
HCFC206-20	1-1/4														HC206-20		1.40	
HCFC207	35	135	110	77.8	11	14	8	9	26	90	43.3	51.1	18.8	M12	HC207	FC207	1.93	
HCFC207-20	1-1/4														HC207-20		2.00	
HCFC207-21	1-5/16	1-5/16	4-21/64	3-1/16	7/16	35/64	5/16	23/64	1-1/32	3.5433	1-45/64	2.012	0.740	7/16	HC207-21		1.96	
HCFC207-22	1-3/8														HC207-22		1.93	
HCFC207-23	1-7/16														HC208-23		1.87	
HCFC208	40	145	120	84.8	11	14	10	9	26	100	45.9	56.3	21.4	M12	HC208	FC208	2.29	
HCFC208-24	1-1/2	5-45/64	4-23/32	3-11/32	7/16	35/64	25/64	23/64	1-1/32	3.9370	1-13/16	2.217	0.843	7/16	HC208-24		2.34	
HCFC208-25	1-9/16														HC208-25		2.30	
HCFC209	45	160	132	93.3	10	16	12	14	26	105	44.9	56.3	21.4	M14	HC209	FC209	2.85	
HCFC209-26	1-5/8														HC209-26		2.96	
HCFC209-27	1-11/16	6-19/64	5-13/64	3-43/64	25/64	5/8	15/32	35/64	1-1/32	4.1339	1-49/64	2.217	0.843	1/2	HC209-27		2.91	
HCFC209-28	1-3/4														HC209-28		2.87	
HCFC210	50	165	138	97.6	10	16	12	14	28	110	48.1	62.7	24.6	M14	HC210	FC210	3.09	
HCFC210-29	1-13/16														HC210-29		3.24	
HCFC210-30	1-7/8	6-1/2	5-7/16	3-27/32	25/64	5/8	15/32	35/64	1-7/64	4.3307	1-57/64	2.469	0.969	1/2	HC210-30		3.18	
HCFC210-31	1-15/16														HC210-31		3.12	
HCFC210-32	2														HC210-32		3.06	
HCFC211	55	185	150	106.1	13	19	12	15	31	125	56.6	71.4	27.8	M16	HC211	FC211	4.22	
HCFC211-32	2														HC211-32		4.42	
HCFC211-33	2-1/16	7-9/32	5-29/32	4-3/16	33/64	3/4	15/32	19/32	1-7/32	4.9213	2-15/64	2.811	1.094	5/8	HC211-33		4.34	
HCFC211-34	2-1/8														HC211-34		4.27	
HCFC211-35	2-3/16														HC211-35		4.19	
HCFC212	60	195	160	113.1	17	19	12	15	36	135	63.8	77.8	31	M16	HC212	FC212	5.28	
HCFC212-36	2-1/4														HC212-36		5.44	
HCFC212-37	2-5/16	7-11/16	6-19/64	4-29/64	43/64	3/4	15/32	19/32	1-27/64	5.3150	2-33/64	3.063	1.220	5/8	HC212-37		5.35	
HCFC212-38	2-3/8														HC212-38		5.30	
HCFC212-39	2-7/16														HC212-39		5.17	
HCFC213	65	205	170	120.2	16	19	14	15	36	145	67.6	85.7	34.1	M16	HC213	FC213	6.21	
HCFC213-40	2-1/2	8-5/64	6-11/16	4-47/64	5/8	3/4	35/64	19/32	1-27/64	5.5118	2-21/32	3.374	1.343	5/8	HC213-40		6.31	
HCFC213-41	2-9/16														HC213-41		6.20	
HCFC214	70	215	177	125.1	17	19	14	18	40	150	68.6	85.7	34.1	M16	HC214	FC214	7.45	
HCFC214-42	2-3/8														HC214-42		7.69	
HCFC214-43	2-11/16	8-15/32	6-31/32	4-59/64	43/64	3/4	35/64	23/32	1-37/64	5.9055	2-45/64	3.374	1.343	5/8	HC214-43		7.58	
HCFC214-44	2-3/4														HC214-44		7.46	
HCFC215	75	220	184	130.1	18	19	16	18	40	160	72.8	92.1	37.3	M16	HC215	FC215	8.19	
HCFC215-45	2-13/16														HC215-45		8.49	
HCFC215-46	2-7/8	8-21/32	7-1/4	5-1/8	23/32	3/4	5/8	23/32	1-37/64	6.2992	2-7/8	3.626	1.469	5/8	HC215-46		8.36	
HCFC215-47	2-15/16														HC215-47		8.23	
HCFC215-48	3														HC215-48		8.09	

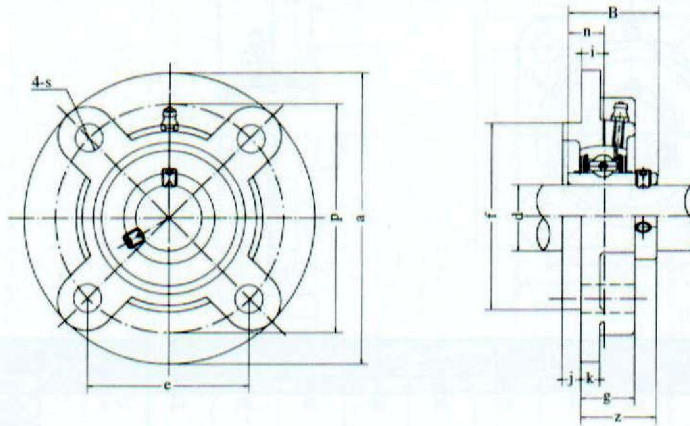


UCFC-C₁(D₁)

Unit No.	Dimensions													Bearing Size mm inch	Bearing No.	Housing No.	Weight (kg)
	d	a	p	e	i	s	j	k	g	f	z	t	B ₁				
UKFC205;H2305	20	115	90	63.6	10	12	6	7	21	70	29.5	34	35	M10	UK205;H2305	FC205	1.05
UKFC205;HE2305	3/4	4-17/32	3-35/64	2-1/2	15/64	15/32	15/64	9/32	53/64	2.7559	1-5/32	1-11/32	1.378	3/8	UK205;HE2305		
UKFC206;H2306	25	125	100	70.7	10	12	8	8	23	80	31	36.5	38	M10	UK206;H2306	FC206	1.34
UKFC206;HS2306	7/8	4-59/64	3-15/16	2-25/32	25/64	15/32	5/16	5/16	29/32	3.1496	1-7/32	1-7/16	1.496	3/8	UK206;HS2306		
UKFC206;HE2306	1														UK206;HE2306		
UKFC207;H2307	30	135	110	77.8	11	14	8	9	26	90	33.5	41	43	M12	UK207;H2307	FC207	1.90
UKFC207;HS2307	1-1/8	5-5/16	4-21/64	3-1/16	7/16	35/64	5/16	23/64	1-1/32	3.5433	1-5/16	1-5/8	1.693	7/16	UK207;HS2307		
UKFC208;H2308	35	145	120	84.8	11	14	10	9	26	100	35.5	45.5	46	M12	UK208;H2308	FC208	2.24
UKFC208;HE2308	1-1/4	5-45/64	4-23/32	3-11/32	7/16	35/64	25/64	23/64	1-1/32	3.9370	1-25/64	1-51/64	1.811	7/16	UK208;HE2308		
UKFC208;HS2308	1-3/8														UK208;HS2308		
UKFC209;H2309	40	160	132	93.3	10	16	12	14	26	105	36	44.5	50	M14	UK209;H2309	FC209	2.83
UKFC209;HA2309	1-7/16														UK209;HA2309		
UKFC209;HE2309	1-1/2	6-19/64	5-13/64	3-43/64	25/64	5/8	15/32	35/64	1-1/32	4.1339	1-27/64	1-3/4	1.969	1-1/2	UK209;HE2309		
UKFC209;HS2309	1-5/8														UK209;HS2309		
UKFC210;H2310	45	165	138	97.6	10	16	12	14	28	110	37.5	47.5	55	M14	UK210;H2310	FC210	3.07
UKFC210;HS2310	1-5/8														UK210;HS2310		
UKFC210;HA2310	1-11/16	6-1/2	5-7/16	3-27/32	25/64	5/8	15/32	35/64	1-7/64	4.3307	1-15/32	1-7/8	2.165	1/2	UK210;HA2310		
UKFC210;HE2310	1-3/4														UK210;HE2310		
UKFC211;H2311	50	185	150	106.1	13	19	12	15	31	125	41.5	51	59	M16	UK211;H2311	FC211	4.16
UKFC211;HS2311	1-7/8														UK211;HS2311		
UKFC211;HA2311	1-15/16	7-9/32	5-29/32	4-3/16	33/64	3/4	15/32	19/32	1-7/32	4.9213	1-41/64	2-1/64	2.323	5/8	UK211;HA2311		
UKFC211;HE2311	2														UK211;HE2311		
UKFC212;H2312	55	195	160	113.1	17	19	12	15	36	135	48	61.5	62	M16	UK212;H2312	FC212	4.99
UKFC212;HS2312	2-1/8	7-11/16	6-19/64	4-29/64	43/64	3/4	15/32	19/32	1-27/64	5.3150	1-57/64	2-27/64	2.441	5/8	UK212;HS2312		
UKFC213;H2313	60	205	170	120.2	16	19	14	15	36	145	49	60.5	65	M16	UK213;H2313	FC213	5.56
UKFC213;HA2313	2-3/16														UK213;HA2313		
UKFC213;HE2313	2-1/4	8-5/64	6-11/16	4-47/64	5/8	3/4	35/64	19/32	1-27/64	5.5118	1-15/16	2-25/64	2.559	5/8	UK213;HE2313		
UKFC213;HS2313	2-3/8														UK213;HS2313		
UKFC215;H2315	65	220	184	130.1	18	19	16	18	40	160	53.5		73	M16	UK215;H2315	FC215	7.67
UKFC215;HA2315	2-7/16	8-21/32	7-1/4	5-1/8	23/32	3/4	5/8	23/32	1-37/64	6.2992	2-7/64		2.874	5/8	UK215;HA2315		
UKFC215;HE2315	2-1/2														UK215;HE2315		
UKFC216;H2316	70	240	200	141.4	18	23	16	18	42	170	57		78	M20	UK216;H2316	FC216	9.41
UKFC216;HA2316	2-11/16	9-29/64	7-7/8	5-9/16	23/32	29/32	5/8	23/32	1-21/32	6.6929	2-1/4		3.071	3/4	UK216;HA2316		
UKFC216;HE2316	2-3/4														UK216;HE2316		
UKFC217;H2317	75	250	208	147.1	18	23	18	20	45	180	59		82	M20	UK217;H2317	FC217	11.23
UKFC217;HA2317	2-15/16	9-27/32	8-3/16	5-51/64	23/32	29/32	23/32	25/32	1-25/32	7.0866	2-21/64		3.228	3/4	UK217;HA2317		
UKFC217;HE2317	3														UK217;HE2317		
UKFC218;H2318	80	265	220	155.5	22	23	18	20	50	190	64.5		86	M20	UK218;H2318	FC218	13.34
UKFC218;HA2318	3-3/16	10-7/16	8-21/32	6-1/8	55/64	29/32	23/32	25/32	1-31/32	7.4803	3-35/64		3.386	3/4	UK218;HA2318		

Flange Cartridge Units

UCFCX (medium-duty)

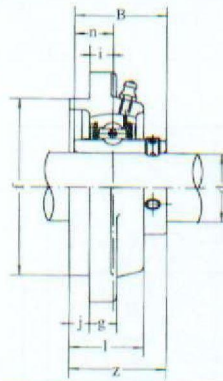
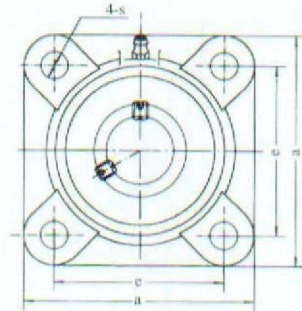


Unit No.	Dimensions ^{mm} _{in.}														Bolt Size ^{mm} _{inch}	Bearing No.	Housing No.	Weight (kg)
	d	a	P	e	i	s	j	k	g	f	z	B	n					
UCFCX05	25	111	92	65	10	9.5	6	9.5	24	76	32.2	38.1	15.9	M8	UCX05	FCX05	1.2	
UCFCX05-13	13/16														UCX05-13			
UCFCX05-14	7/8	4-3/8	3-5/8	2-9/16	25/64	3/8	15/64	3/8	15/16	2.9921	1-9/32	1.5000	0.626	5/16	UCX05-14			
UCFCX05-15	15/16														UCX05-15			
UCFCX05-16	1														UCX05-16			
UCFCX06	30	127	105	74.2	8	12	9.5	9.5	22.5	85	33.4	42.9	17.5	M10	UCX06	FCX06	1.5	
UCFCX06-17	1-1/16														UCX06-17			
UCFCX06-18	1-1/8	5	4-9/64	2-59/64	5/16	15/32	3/8	3/8	7/8	3.3465	1-5/16	1.6890	0.689	3/8	UCX06-18			
UCFCX06-19	1-3/16														UCX06-19			
UCFCX06-20	1-1/4														UCX06-20			
UCFCX07	35	133	111	78.5	9	12	11	11	26	92	39.2	49.2	19	M10	UCX07	FCX07	1.9	
UCFCX07-21	1-5/16														UCX07-21			
UCFCX07-22	1-3/8	5-1/4	4-3/8	3-3/32	23/64	15/32	7/16	7/16	1-1/32	3.6220	1-17/32	1.9370	0.748	3/8	UCX07-22			
UCFCX07-23	1-7/16														UCX07-23			
UCFCX08	40	133	111	78.5	9	12	11	11	26	92	39.2	49.2	19	M10	UCX08	FCX08	2.0	
UCFCX08-24	1-1/2														UCX08-24			
UCFCX08-25	1-9/16	5-1/4	4-3/8	3-3/32	23/64	15/32	7/16	7/16	1-1/32	3.6220	1-17/32	1.9370	0.748	3/8	UCX08-25			
UCFCX09	45	155	130	91.9	8	14	12	11	25	108	40.6	51.6	19	M12	UCX09	FCX09	2.6	
UCFCX09-26	1-5/8														UCX09-26			
UCFCX09-27	1-11/16	6-3/32	5-1/8	3-5/8	5/16	35/64	15/32	7/16	63/64	4.2520	1-19/32	2.0315	0.748	7/16	UCX09-27			
UCFCX09-28	1-3/4														UCX09-28			
UCFCX09-29	1-13/16														UCX09-29			
UCFCX10	50	162	136	96.2	7	14	16	11	25	118	40.4	55.6	22.2	M12	UCX10	FCX10	3.2	
UCFCX10-30	1-7/8														UCX10-30			
UCFCX10-31	1-15/16	6-3/8	5-23/64	3-25/32	9/32	35/64	5/8	7/16	63/64	4.6457	1-19/32	2.1690	0.874	7/16	UCX10-31			
UCFCX10-32	2														UCX10-32			
UCFCX11	55	180	152	107.5	4	16	22	13	26	127	43.7	65.1	25.4	M14	UCX11	FCX11	4.3	
UCFCX11-33	2-1/16														UCX11-33			
UCFCX11-34	2-1/8														UCX11-34			
UCFCX11-35	2-3/16	7-3/32	5-63/64	4-15/64	5/32	5/8	55/64	1/2	1-1/32	5.0000	1-23/32	2.5630	1.000	1/2	UCX11-35			
UCFCX11-36	2-1/4														UC211-36			
UCFCX11-37	2-5/16														UC211-37			
UCFCX12	60	194	165	116.7	11	16	20	14	33	140	50.7	65.1	25.4	M14	UCX12	FCX12	5.3	
UCFCX12-38	2-3/8														UCX12-38			
UCFCX12-39	2-7/16	7-5/8	6-1/2	4-19/32	7/16	5/8	25/32	9/16	1-5/16	5.5118	2	2.5630	1.000	1/2	UCX12-39			
UCFCX13	65	194	165	116.7	11	16	20	14	33	140	55.4	74.6	30.2	M14	UCX13	FCX13	5.7	
UCFCX13-40	2-1/2														UCX13-40			
UCFCX13-41	2-9/16	7-5/8	6-1/2	4-19/32	7/16	5/8	25/32	9/16	1-5/16	5.5118	2-3/16	2.9370	1.189	1/2	UCX13-41			
UCFCX14	70	222	190	134.3	14	19	20	14	36	164	58.5	77.8	33.3	M16	UCX14	FCX14	7.3	
UCFCX14-42	2-5/8														UCX14-42			
UCFCX14-43	2-1/16	8-3/4	7-31/64	5-9/32	35/64	3/4	25/32	9/16	1-13/32	6.4567	2-5/16	3.0630	1.311	5/8	UCX14-43			
UCFCX14-44	2-3/4														UCX14-44			
UCFCX15	75	222	190	134.3	12	19	22	16	35	164	61.3	82.6	33.3	M16	UCX15	FCX15	8	
UCFCX15-45	2-13/16														UCX15-45			
UCFCX15-46	2-7/8	8-3/4	7-31/64	5-9/32	15/32	3/4	55/64	5/8	1-3/8	6.4567	2-13/32	3.2520	1.311	5/8	UCX15-46			
UCFCX15-47	2-15/16														UCX15-47			
UCFCX15-48	3														UCX15-48			
UCFCX16	80	260	219	154.8	10	23	25	19	36	186	61.6	85.7	34.1	M20	UCX16	FCX16	11.3	
UCFCX16-49	3-1/16														UCX16-49			
UCFCX16-50	3-1/8														UCX16-50			
UCFCX16-51	3-3/16	10-1/4	8-5/8	6-3/32	25/64	29/32	63/64	3/4	1-13/32	7.3228	2-7/16	3.3740	1.343	3/4	UCX16-51			
UCFCX16-52	3-1/4														UCX16-52			
UCFCX17	85	260	219	154.8	10	23	25	19	36	186	66.3	96	39.7	M20	UCX17			FCX17
UCFCX17-53	3-5/16														UCX17-53			
UCFCX17-55	3-7/16	10-1/4	8-5/8	6-3/32	25/64	29/32	63/64	3/4	1-13/32	7.3228	2-5/8	3.7795	1.5630	3/4	UCX17-55			

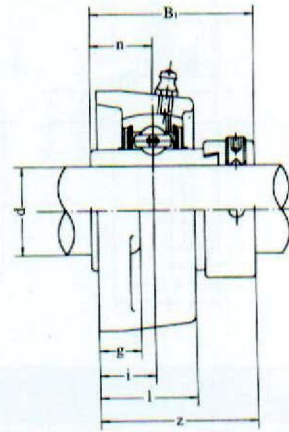
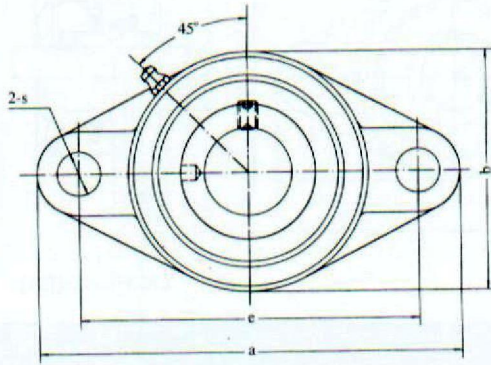


UCFS3 (Heavy-duty)

Flange Cartridge Units



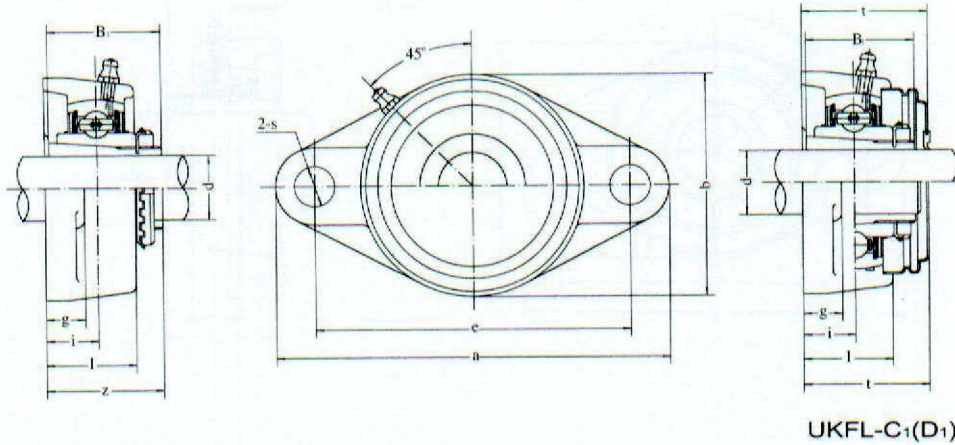
Unit No.	mm Dimensions												Bolt size mm inch	Bearing No.	Housing	Weight (kg)
	d	a	e	l	s	i	g	l	f	z	b	n				
UCFS305	25	110	80	9	16	7	13	29	80	39	38	15	M14	UC305	FS305	1.3
UCFS305-13	13/16													UC305-13		
UCFS305-14	7/8	4 11/32	3 5/32	23/64	5/8	9/32	1/2	1 9/64	3.1496	1 17/32	1.4961	0.591	1/2	UC305-14		
UCFS305-15	15/16													UC305-15		
UCFS305-16	1													UC305-16		
UCFS306	30	125	95	10	16	8	15	32	90	44	43	17	M14	UC306	FS306	1.9
UCFS306-17	1 1/16													UC306-17		
UCFS306-18	1 1/8	4 29/32	3 47/64	25/64	5/8	5/16	19/32	1 17/64	3.5433	4 47/64	1.8929	0.669	1/2	UC306-18		
UCFS306-19	1 3/16													UC306-19		
UCFS307	35	135	100	11	19	9	16	36	100	49	48	19	M16	UC307	FS307	2.4
UCFS307-20	1 1/4													UC307-20		
UCFS307-21	1 5/16	5 5/16	3 15/16	7/16	3/4	23/64	5/8	1 13/32	3.9730	1 59/64	1.8898	0.748	5/8	UC307-21		
UCFS307-22	1 3/8													UC307-22		
UCFS307-23	1 7/16													UC307-23		
UCFS308	40	150	112	13	19	10	17	40	115	56	52	19	M16	UC308	FS308	3.3
UCFS308-24	1 1/2	5 29/32	4 13/32	33/64	3/4	25/64	21/32	1 9/16	4.5276	2 13/64	2.0472	0.748	5/8	UC308-24		
UCFS308-25	1 9/16													UC308-25		
UCFS309	45	160	125	14	19	11	18	44	125	60	57	22	M16	UC309		
UCFS309-26	1 5/8													UC309-26	FS309	4.0
UCFS309-27	1 11/16	6 5/16	4 59/64	35/64	3/4	7/16	23/32	1 47/64	4.9213	2 23/64	2.2441	0.866	5/8	UC309-27		
UCFS309-28	1 3/4													UC309-28		
UCFS310	50	175	132	16	23	12	19	48	140	67	61	22	M20	UC310		
UCFS310-29	1 13/16													UC310-29	FS310	5.3
UCFS310-30	1 7/8	6 7/8	5 13/64	5/8	29/32	15/32	3/4	1 57/64	5.5118	2 41/64	2.4016	0.866	3/4	UC310-30		
UCFS310-31	1 15/16													UC310-31		
UCFS311	55	185	140	17	23	13	20	52	150	71	66	25	M20	UC311	FS311	6.2
UCFS311-32	2													UC311-32		
UCFS311-33	2 1/16	7 9/32	5 33/64	43/64	29/32	33/64	25/32	2 3/64	5.9055	2 51/64	2.5984	0.984	3/4	UC311-33		
UCFS311-34	2 1/8													UC311-34		
UCFS311-35	2 3/16													UC311-35		
UCFS312	60	195	150	19	23	14	22	56	160	78	71	26	M20	UC312	FS312	7.2
UCFS312-36	2 1/4													UC312-36		
UCFS312-37	2 5/16	7 11/16	5 29/32	3/4	29/32	35/64	7/8	2 7/32	6.2922	3 5/64	2.7953	1.024	3/4	UC312-37		
UCFS312-38	2 3/8													UC312-38		
UCFS312-39	2 7/16													UC312-39		
UCFS313	65	208	166	15	23	18	22	58	175	78	75	30	M20	UC313	FS313	8.9
UCFS313-40	2 1/2	8 3/16	6 17/32	19/32	29/32	45/64	55/64	2 9/32	6.8898	3 5/64	2.9528	1.181	3/4	UC313-40		
UCFS313-41	2 9/16													UC313-41		
UCFS314	70	226	178	18	25	18	25	61	185	81	78	33	M22	UC314		
UCFS314-42	2 5/8													UC314-42	FS314	11
UCFS314-43	2 11/16	8 29/32	6 1/64	45/64	63/64	45/64	31/32	2 13/32	7.2835	3 3/16	3.0708	1.299	7/8	UC314-43		
UCFS314-44	2 3/4													UC314-44		
UCFS315	75	236	184	21	25	18	25	66	200	89	82	32	M22	UC315	FS315	13
UCFS315-45	2 13/16													UC315-45		
UCFS315-46	2 7/8	9 9/32	7 1/4	53/64	63/64	45/64	31/32	2 19/32	7.8740	3 1/2	3.2283	1.260	7/8	UC315-46		
UCFS315-47	2 15/16													UC315-47		
UCFS315-48	3													UC315-48		
UCFS316	80	250	196	18	31	20	27	68	210	90	86	34	M27	UC316	FS316	15
UCFS316-49	3 1/16													UC316-49		
UCFS316-50	3 1/8	9 27/32	7 23/32	45/64	1 7/32	25/32	1 1/16	2 63/64	8.2677	3 35/64	3.3858	1.339	1	UC316-50		
UCFS316-51	3 3/16													UC316-51		
UCFS317	85	260	204	24	31	20	27	74	220	100	96	40	M27	UC317	FS317	17
UCFS317-52	3 1/4													UC317-52		
UCFS317-53	3 5/16	10 1/4	8 1/32	15/16	1 7/32	25/32	1 1/16	2 29/32	8.6514	3 15/16	9.7795	1.575	1	UC317-53		
UCFS317-55	3 7/16													UC317-55		
UCFS318	90	280	216	24	35	20	30	76	240	100	96	40	M30	UC318		
UCFS318-55	3 7/16	11 1/32	8 1/2	15/16	1 3/8	25/32	1 3/16	3	9.4488	3 15/64	3.7795	1.575	1 1/8	UC318-55	FS318	21
UCFS318-56	3 1/2													UC318-56		
UCFS319	95	290	228	39	35	20	30	94	250	121	103	41	M30	UC319	FS319	25
UCFS319-58	3 5/8													UC319-58		
UCFS319-59	3 11/16	11 13/32	8 31/32	1 17/32	1 3/8	25/32	1 3/16	3 45/64	9.8425	4 49/64	4.0551	1.614	1 1/8	UC319-59		
UCFS319-60	3 3/4													UC319-60		
UCFS320	100	310	242	39	38	20	32	94	260	125	108	42	M33	UC320	FS320	30
UCFS320-61	3 13/16													UC320-61		
UCFS320-62	3 7/8	12 7/32	9 17/32	1 17/32	1 1/2	25/32	1 3/16	3 45/64	10.2362	4 59/64	4.2520	1.854	1 1/4	UC320-62		
UCFS320-63	3 15/16													UC320-63		
UCFS320-64	4													UC320-64		



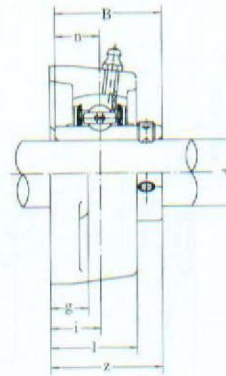
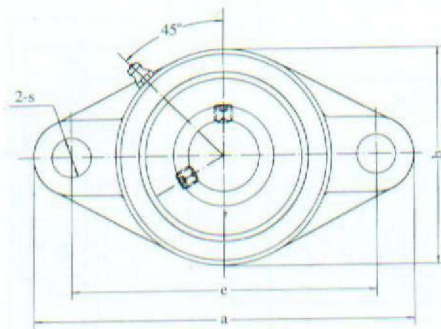
Unit No.	Dimensions											Bolt Size mm inch	Bearing No.	Housing No.	Weight (kg)
	d	a	e	i	g	l	s	b	z	B	n				
HCFL204	20	113	90	15	11	25.5	12	60	41.6	43.7	17.1	M10	HC204	FL204	0.48
HCFL204-12	3/4	4-7/16	3-35/64	19/32	7/16	1	15/32	2-3/8	1-41/64	1.720	0.673	3/8	HC204-12		0.48
HCFL205	25	130	99	16	13	27	16	68	42.9	44.4	17.5	M14	HC205	FL205	0.65
HCFL205-13	13/16												HC205-13		0.70
HCFL205-14	7/8	5-1/8	3-57/64	5/8	1/2	1-1/16	5/8	2-11/16	1-11/16	1.748	0.689	1/2	HC205-14		0.69
HCFL205-15	15/16												HC205-15		0.67
HCFL205-16	1												HC205-16		0.65
HCFL206	30	148	117	18	13	31	16	80	48.1	48.4	18.3	M14	HC206	FL206	0.99
HCFL206-17	1-1/16												HC206-17		1.04
HCFL206-18	1-3/8	5-13/16	4-39/64	45/64	1/2	1-7/32	5/8	3-5/32	1-57/64	1.906	0.720	1/2	HC206-18		1.01
HCFL206-19	1-3/16												HC206-19		0.99
HCFL206-20	1-1/4												HC206-20		0.96
HCFL207	35	161	130	19	14	34	16	90	51.3	51.1	18.8	M14	HC207	FL207	1.20
HCFL207-20	1-1/4												HC207-20		1.27
HCFL207-21	1-5/16	6-11/32	5-1/8	3/4	35/64	1-11/32	5/8	3-35/64	2-1/64	2.012	0.740	1/2	HC207-21		1.23
HCFL207-22	1-3/8												HC207-22		1.20
HCFL207-23	1-7/16												HC208-23		1.17
HCFL208	40	175	144	21	14	36	16	100	55.9	56.3	21.4	M14	HC208	FL208	1.59
HCFL208-24	1-1/2	6-7/8	5-43/64	53/64	35/64	1-13/32	5/8	3-15/16	2-13/64	2.217	0.843	1/2	HC208-24		1.64
HCFL208-25	1-9/16												HC208-25		1.60
HCFL209	45	188	148	22	15	38	19	108	56.9	56.3	21.4	M16	HC209	FL209	1.91
HCFL209-26	1-5/8												HC209-26		2.02
HCFL209-27	1-11/16	7-13/32	5-53/64	55/64	19/32	1-1/2	3/4	4-1/4	2-15/64	2.217	0.843	5/8	HC209-27		1.97
HCFL209-28	1-3/4												HC209-28		1.93
HCFL210	50	197	157	22	15	40	19	115	60.1	62.7	24.6	M16	HC210	FL210	2.29
HCFL210-29	1-13/16												HC210-29		2.44
HCFL210-30	1-7/8	7-3/4	6-3/16	55/64	19/32	1-37/64	3/4	4-17/32	2-23/64	2.469	0.969	5/8	HC210-30		2.38
HCFL210-31	1-15/16												HC210-31		2.32
HCFL210-32	2												HC210-32		2.26
HCFL211	55	224	184	25	18	43	19	130	68.6	71.4	27.8	M16	HC211	FL211	3.12
HCFL211-32	2												HC211-32		3.32
HCFL211-33	2-1/16	8-13/16	7-1/4	63/64	23/32	1-11/16	3/4	5-1/8	2-45/64	2.811	1.094	5/8	HC211-33		3.24
HCFL211-34	2-1/8												HC211-34		3.17
HCFL211-35	2-3/16												HC211-35		3.09
HCFL212	60	250	202	29	18	48	23	140	75.8	77.8	31	M20	HC212	FL212	4.08
HCFL212-36	2-4/1												HC212-36		4.24
HCFL212-37	2-5/16	9-27/32	7-61/64	1-9/64	23/32	1-7/8	29/32	5-1/2	2-63/64	3.063	1.220	3/4	HC212-37		4.15
HCFL212-38	2-3/8												HC212-38		4.10
HCFL212-39	2-7/16												HC212-39		3.97
HCFL213	65	258	210	30	22	50	23	155	81.6	85.7	34.1	M20	HC213	FL213	5.13
HCFL213-40	2-1/2	10-5/32	8-17/64	1-3/16	7/8	1-31/32	29/32	6-3/32	3-7/32	3.374	1.343	3/4	HC213-40		5.23
HCFL213-41	2-9/16												HC213-41		5.12
HCFL214	70	265	216	31	22	54	23	160	82.6	85.7	34.1	M20	HC214	FL214	5.61
HCFL214-42	2-3/8												HC214-42		5.86
HCFL214-43	2-11/16	10-7/16	8-1/2	1-7/32	7/8	2-1/8	29/32	6-5/16	3-1/4	3.374	1.343	3/4	HC214-43		5.74
HCFL214-44	2-3/4												HC214-44		5.62
HCFL215	75	275	225	34	22	56	23	165	88.8	92.1	37.3	M20	HC215	FL215	6.00
HCFL215-45	2-13/16												HC215-45		6.30
HCFL215-46	2-7/8	10-13/16	8-55/64	1-11/32	7/8	2-7/32	29/32	6-1/2	3-1/2	3.626	1.426	3/4	HC215-46		6.17
HCFL215-47	2-15/16												HC215-47		6.04
HCFL215-48	3												HC215-48		5.90

Flange Units (Oval)
(with adapter mounted)

UKFL2 (Normal duty)

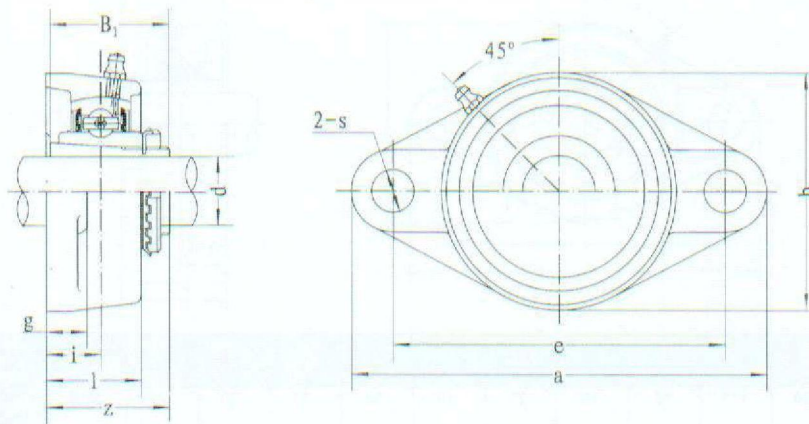


Unit No.	Dimensions											Bearing Size mm Inch	Bearing No.	Housing No.	Weight (kg)
	d	a	e	i	g	l	s	b	z	t	B ₁				
UKFL205;H2305	20	130	99	16	13	27	16	68	35.5	40	35	M14	UK205;H2305	FL205	0.63
UKFL205;HE2305	3/4	5-1/8	3-57/64	5/8	1/2	1-1/16	5/8	2-11/16	1-25/64	1-9/16	1.378	1/2	UK205;HE2305		
UKFL206;H2306	25	148	117	18	13	31	16	80	39	44.5	38	M14	UK206;H2306	FL206	0.90
UKFL206;HS2306	7/8	5-13/16	4-39/64	45/64	1/2	1-7/32	5/8	3-5/32	1-17/32	1-3/4	1.496	1/2	UK206;HS2306		
UKFL206;HE2306	1												UK206;HE2306		
UKFL207;H2307	30	161	130	19	14	34	16	90	42.5	48.5	43	M14	UK207;H2307	FL207	1.17
UKFL207;HS2307	1-1/8	6-11/32	5-1/8	3/4	35/64	1-11/32	5/8	3-35/64	1-43/64	1-29/32	1.693	1/2	UK207;HS2307		
UKFL208;H2308	35	175	144	21	14	36	16	100	46.5	55.5	46	M14	UK208;H2308	FL208	1.54
UKFL208;HE2308	1-1/4	6-7/8	5-43/64	53/64	35/64	1-13/32	5/8	3-15/16	1-53/64	2-3/16	1.811	1/2	UK208;HE2308		
UKFL208;HS2308	1-3/8												UK209;H2309		
UKFL209;H2309	40	188	148	22	15	38	19	108	48.5	56.5	50	M16	UK209;HA2309	FL209	1.89
UKFL209;HA2309	1-7/16												UK209;HE2309		
UKFL209;HE2309	1-1/2	7-13/32	5-53/64	55/64	19/32	1-1/2	3/4	4-1/4	1-29/32	2-7/32	1.969	5/8	UK209;HS2309		
UKFL209;HS2309	1-5/8												UK210;H2310		
UKFL210;H2310	45	197	157	22	15	40	19	115	50	59.5	55	M16	UK210;H2310	FL210	2.27
UKFL210;HS2310	1-5/8												UK210;HA2310		
UKFL210;HA2310	1-11/16	7-3/4	6-3/16	55/64	19/32	1-37/64	3/4	4-17/32	1-31/32	2-11/32	2.165	5/8	UK210;HE2310		
UKFL210;HE2310	1-3/4														
UKFL211;H2311	50	224	184	25	18	43	19	130	54.5	63	59	M16	UK211;H2311	FL211	3.06
UKFL211;HS2311	1-7/8												UK211;HS2311		
UKFL211;HA2311	1-15/16	8-13/16	7-1/4	63/64	23/32	1-11/16	3/4	5-1/8	2-9/64	2-15/32	2.323	5/8	UK211;HA2311		
UKFL211;HE2311	2												UK211;HE2311		
UKFL212;H2312	55	250	202	29	18	48	23	140	61	73.5	62	M20	UK212;H2312	FL212	3.79
UKFL212;HS2312	2-1/8	9-27/32	7-61/64	1-9/64	23/32	1-7/8	29/32	5-1/2	2-13/32	2-57/64	2.441	3/4	UK212;HS2312		
UKFL213;H2313	60	258	210	30	22	50	23	155	64	74.5	65	M20	UK213;H2313	FL213	4.48
UKFL213;HA2313	2-3/16												UK213;HA2313		
UKFL213;HE2313	2-1/4	10-5/32	8-17/64	1-3/16	7/8	1-31/32	29/32	6-3/32	2-33/64	2-15/16	2.559	3/4	UK213;HE2313		
UKFL213;HS2313	2-3/8												UK213;HS2313		
UKFL215;H2315	65	275	225	34	22	56	23	165	71		73	M20	UK215;H2315	FL215	5.48
UKFL215;HA2315	2-7/16	10-13/16	8-55/64	1-11/32	7/8	2-7/32	29/32	6-1/2	2-51/64		2.874	3/4	UK215;HA2315		
UKFL215;HE2315	2-1/2												UK215;HE2315		
UKFL216;H2316	70	290	233	34	22	58	25	180	73.5		78	M22	UK216;H2316	FL216	7.46
UKFL216;HA2316	2-11/16	11-13/32	9-11/64	1-11/32	7/8	2-9/32	63/64	7-3/32	2-57/64		3.071	7/8	UK216;HA2316		
UKFL216;HE2316	2-3/4												UK216;HE2316		
UKFL217;H2317	75	305	248	36	24	63	25	190	77		82	M22	UK217;H2317	FL217	9.03
UKFL217;HA2317	2-15/16	12	9-49/64	1-27/64	15/16	2-15/32	63/64	7-15/32	3-1/32		3.228	7/8	UK217;HA2317		
UKFL217;HE2317	3												UK217;HE2317		
UKFL218;H2318	80	320	265	40	24	68	25	205	81.5		86	M22	UK218;H2318	FL218	10.89
UKFL218;HA2318	3-3/16	12-19/32	10-7/16	1-37/64	15/16	2-11/16	63/64	8-1/16	3-13/64		3.386	7/8	UK218;HA2318		

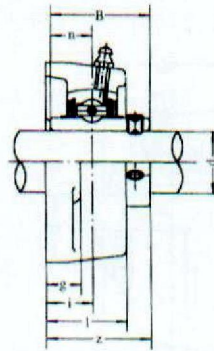
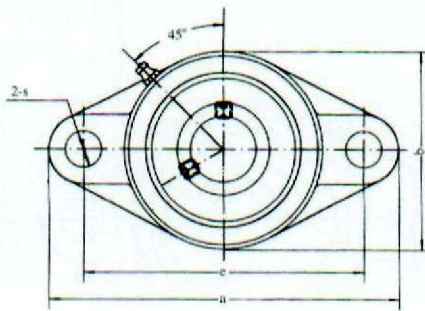


Unit No.	Dimensions ^{mm} _{in.}											Bolt Size ^{mm} _{inch}	Bearing No.	Housing No.	Weight (kg)
	d	a	e	i	g	l	s	b	z	B	n				
UCFLX05	25	141	117	18	13	30	12	83	40.2	38.1	15.9	M10	UCX05	FLX05	1.0
UCFLX05-13	13/16												UCX05-13		
UCFLX05-14	7/8	5-9/16	4-39/64	45/64	1/2	1-3/16	15/32	3-9/32	1-37/64	1.5000	0.626	3/8	UCX05-14		
UCFLX05-15	15/16												UCX05-15		
UCFLX05-16	1												UCX05-16		
UCFLX06	30	156	130	19	15	34	16	95	44.4	42.9	17.5	M14	UCX06	FLX06	1.5
UCFLX06-17	1-1/16												UCX06-17		
UCFLX06-18	1-1/8	6-5/32	5-1/8	3/4	19/32	1-11/32	5/8	3-3/4	1-3/4	1.6890	0.689	1/2	UCX06-18		
UCFLX06-19	1-3/16												UCX06-19		
UCFLX06-20	1-1/4												UCX06-20		
UCFLX07	35	171	144	21	16	38	16	105	51.2	49.2	19	M14	UCX07	FLX07	2.0
UCFLX07-21	1-5/16												UCX07-21		
UCFLX07-22	1-3/8	6-23/32	5-43/64	53/64	5/8	1-1/2	5/8	4-1/8	2-1/64	1.9370	0.748	1/2	UCX07-22		
UCFLX07-23	1-7/16												UCX07-23		
UCFLX08	40	179	148	22	16	40	16	111	52.2	49.2	19	M14	UCX08	FLX08	2.2
UCFLX08-24	1-1/2	7-1/16	5-53/64	55/64	5/8	1-9/16	5/8	4-3/8	2-1/16	1.9370	0.748	1/2	UCX08-24		
UCFLX08-25	1-9/16												UCX08-25		
UCFLX09	45	189	157	23	16	40	16	116	55.6	51.6	19	M14	UCX09	FLX09	2.4
UCFLX09-26	1-5/8												UCX09-26		
UCFLX09-27	1-11/16	7-7/16	6-3/16	29/32	5/8	1-37/64	5/8	4-9/16	2-3/16	2.0315	0.748	1/2	UCX09-27		
UCFLX09-28	1-3/4												UCX09-28		
UCFLX09-29	1-13/16												UCX09-29		
UCFLX10	50	216	184	26	18	44	19	133	59.4	55.6	22.2	M16	UCX10	FLX10	3.4
UCFLX10-30	1-7/8												UCX10-30		
UCFLX10-31	1-15/16	8-1/2	7-1/4	1-1/32	23/32	1-23/32	3/4	5-1/4	2-11/32	2.1890	0.874	5/8	UCX10-31		
UCFLX10-32	2												UCX11-32		

Flange Units(Oval)
 (with adapter mounted)



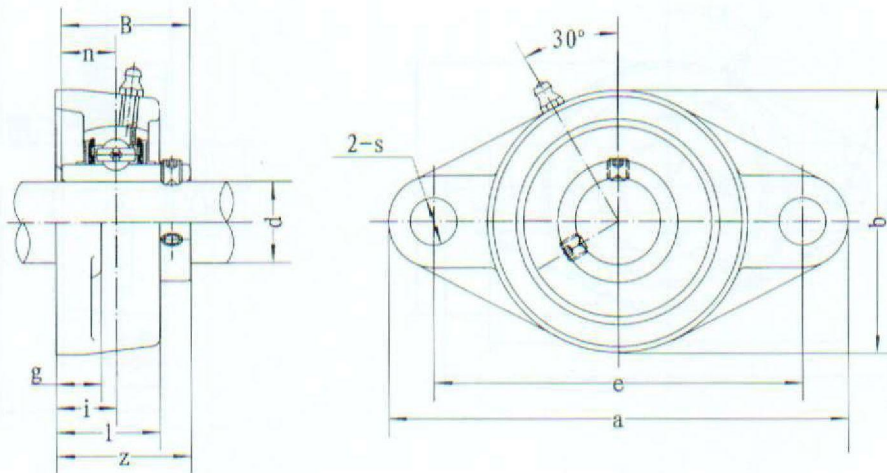
Unit No.	Dimensions <small>mm in.</small>										Bolt Used mm	Bearing NO.	Housing NO.	Weight (kg)
	d	a	e	l	g	l	s	b	z	B ₁				
UKFLX05;H2305	20	141	117	18	13	30	12	83	39	35	M10	UKX05;H2305	FLX05	1.0
UKFLX05;HE2305	3/4	5-9/16	4-39/64	45/64	1/2	1-3/16	15/32	3-9/32	1-17/32	1.378	3/8	UKX05;HE2305		
UKFLX06;H2306	25	156	130	19	15	34	16	95	41.5	38	M14	UKX06;H2306	FLX06	1.5
UKFLX06;HS2306	7/8	6-5/32	5-1/8	3/4	19/32	1-11/32	5/8	3-3/4	1-41/64	1.496	1/2	UKX06;HS2306	FLX07	1.8
UKFLX06;HE2306	1											UKX06;HE2306		
UKFLX07;H2307	30	171	144	21	16	38	16	105	45.5	43	M14	UKX07;H2307	FLX08	2.1
UKFLX07;HS2307	1-1/8	6-23/32	5-43/64	53/64	5/8	1-1/2	5/8	4-1/8	1-51/64	1.693	1/2	UKX07;HS2307		
UKFLX08;H2308	35	179	148	22	16	40	16	111	47.5	46	M14	UKX08;H2308	FLX09	2.5
UKFLX08;HE2308	1-1/4	7-1/16	5-53/64	55/64	5/8	1-9/16	5/8	4-3/8	1-7/8	1.811	1/2	UKX08;HE2308		
UKFLX08;HS2308	1-3/8											UKX08;HS2308		
UKFLX09;H2309	40	189	157	23	16	40	16	116	50	50	M14	UKX09;H2309	FLX10	3.7
UKFLX09;HA2309	1-7/16											UKX09;HA2309		
UKFLX09;HE2309	1-1/2	7-7/16	6-3/16	29/32	5/8	1-37/64	5/8	4-9/16	1-31/32	1.969	1/2	UKX09;HE2309		
UKFLX09;HS2309	1-5/8											UKX09;HS2309		
UKFLX10;H2310	45	216	184	26	18	44	19	133	55.5	55	M16	UKX10;H2310		
UKFLX10;HS2310	1-5/8											UKX10;HS2310		
UKFLX10;HA2310	1-11/16	8-1/2	7-1/4	1-1/32	23/32	1-23/32	3/4	5-1/4	2-3/16	2.185	5/8	UKX10;HA2310		
UKFLX10;HE2310	1-3/4											UKX10;HE2310		



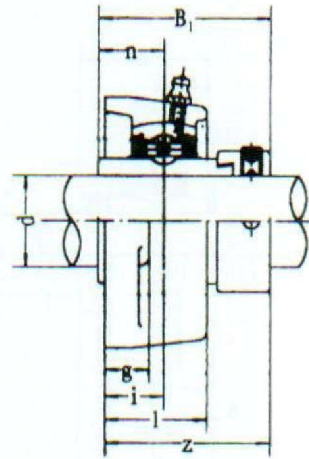
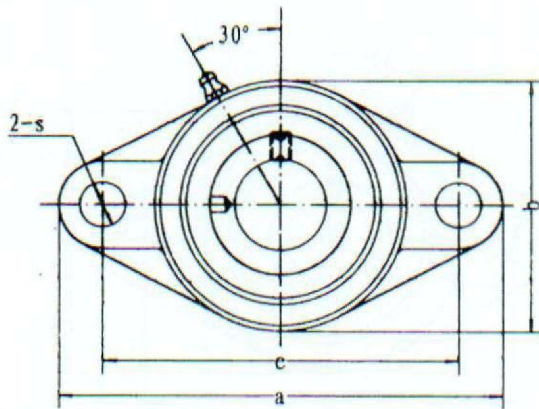
Unit No.	Dimensions <small>mm inch</small>											Bolt Size <small>mm inch</small>	Bearing No.	Housing No.	Weight (kg)
	d	a	e	l	g	l	s	b	z	B	n				
UCFL305 UCFL305-13 UCFL305-14 UCFL305-15 UCFL305-16	25 13/16 7/8 15/16 1	150	113	16	13	29	19	80	39	38	15	M16	UCFL305 UCFL305-13 UCFL305-14 UCFL305-15 UCFL305-16	FL305	1.1
UCFL306 UCFL306-17 UCFL306-18 UCFL306-19	30 1-1/8 1-1/8 1-3/16	180	134	18	15	32	23	90	44	43	17	M20	UCFL306 UCFL306-17 UCFL306-18 UCFL306-19	FL306	1.5
UCFL307 UCFL307-20 UCFL307-21 UCFL307-22 UCFL307-23	35 1-1/4 1-5/16 1-3/8 1-7/16	185	141	20	16	36	23	100	49	48	19	M20	UCFL307 UCFL307-20 UCFL307-21 UCFL307-22 UCFL307-23	FL307	1.9
UCFL308 UCFL308-24 UCFL308-25	40 1-1/2 1-9/16	200	158	23	17	40	23	112	56	52	19	M20	UCFL308 UCFL308-24 UCFL308-25	FL308	2.5
UCFL309 UCFL309-26 UCFL309-27 UCFL309-28	45 1-5/8 1-11/16 1-3/4	230	177	25	18	44	25	125	60	57	22	M22	UCFL309 UCFL309-26 UCFL309-27 UCFL309-28	FL309	3.4
UCFL310 UCFL310-29 UCFL310-30 UCFL310-31	50 1-13/16 1-7/8 1-15/16	240	187	28	19	48	25	140	67	61	22	M22	UCFL310 UCFL310-29 UCFL310-30 UCFL310-31	FL310	4.4
UCFL311 UCFL311-32 UCFL311-33 UCFL311-34 UCFL311-35	55 2 2-1/16 2-1/8 2-3/16	250	198	30	20	52	25	150	71	66	25	M22	UCFL311 UCFL311-32 UCFL311-33 UCFL311-34 UCFL311-35	FL311	5.1
UCFL312 UCFL312-36 UCFL312-37 UCFL312-38 UCFL312-39	60 2-1/4 2-5/16 2-3/8 2-7/16	270	212	33	22	56	31	160	78	71	26	M27	UCFL312 UCFL312-36 UCFL312-37 UCFL312-38 UCFL312-39	FL312	6.1
UCFL313 UCFL313-40 UCFL313-41	65 2-1/2 2-9/16	295	240	33	25	58	31	175	78	75	30	M27	UCFL313 UCFL313-40 UCFL313-41	FL313	7.8
UCFL314 UCFL314-42 UCFL314-43 UCFL314-44	70 2-5/8 2-11/16 2-3/4	315	250	36	28	61	35	185	81	78	33	M20	UCFL314 UCFL314-42 UCFL314-43 UCFL314-44	FL314	9.0
UCFL315 UCFL315-45 UCFL315-46 UCFL315-47 UCFL315-48	75 2-13/16 2-7/8 2-15/16 3	320	260	39	30	66	35	195	89	82	32	M30	UCFL315 UCFL315-45 UCFL315-46 UCFL315-47 UCFL315-48	FL315	10
UCFL316 UCFL316-49 UCFL316-50 UCFL316-51	80 3-1/16 3-1/8 3-3/16	355	285	38	32	68	38	210	90	86	34	M33	UCFL316 UCFL316-49 UCFL316-50 UCFL316-51	FL316	13
UCFL317 UCFL317-52 UCFL317-53 UCFL317-55	85 3-1/4 3-5/16 3-7/16	370	300	44	32	74	38	220	100	96	40	M33	UCFL317 UCFL317-52 UCFL317-53 UCFL317-55	FL317	15
UCFL318 UCFL318-55 UCFL318-56	90 3-7/16 3-1/2	385	315	44	36	76	38	235	100	96	40	M33	UCFL318 UCFL318-55 UCFL318-56	FL318	18
UCFL319 UCFL319-58 UCFL319-59 UCFL319-60	95 3-5/8 3-11/16 3-3/4	405	330	59	40	94	41	250	121	103	41	M36	UCFL319 UCFL319-58 UCFL319-59 UCFL319-60	FL319	22
UCFL320 UCFL320-64	100 4	440	360	59	40	94	44	270	125	108	42	M39	UC320 UC320-64	FL320	27
UCFL322	110	470	390	60	42	96	44	300	131	117	46	M39	UC322	FL322	33
UCFL324	120	520	430	65	48	110	47	330	140	126	51	M42	UC324	FL324	48
UCFL326	130	550	460	65	50	115	47	360	146	135	54	M42	UC326	FL326	58
UCFL328	140	600	500	75	60	125	51	400	161	145	59	M45	UC328	FL328	81

Flange Units(Oval)

UCFT2 (Normal-duty)



Unit No.	Dimensions <small>mm in.</small>											Bolt Size <small>mm inch</small>	Bearing No.	Housing No.	Weight (kg)
	d	a	e	l	g	l	s	b	z	B	n				
UCFT204 UCFT204-12	20 3/4	112 4-13/32	89.5 3-33/64	19 3/4	11 7/16	29 1-9/64	10.5 27/64	60 2-3/8	33.3 1-5/16	31 1.2205	12.7 0.500	M8 5/16	UC204 UC204-12	FT204	0.45
UCFT205 UCFT205-13 UCFT205-14 UCFT205-15 UCFT205-16	25 13/16 7/8 15/16 1	124 4-7/8	99 3-57/64	20 25/32	13 1/2	31 1-7/32	13 33-64	70 2-3/4	35.8 1-13/32	34.1 1.3425	14.6 0.563	M10 3/8	UC205 UC205-13 UC205-14 UC205-15 UC205-16	FT205	0.64
UCFT206 UCFT206-17 UCFT206-18 UCFT206-19 UCFT206-20	30 1-1/16 1-1/8 1-3/16 1-1/4	141 5-35/64	116.5 4-37/64	21 53/64	13 1/2	34 1-11/32	13 33/64	82 3-15/64	40.2 1-19/32	38.1 1.5000	15.9 0.626	M10 3/8	UC206 UC206-17 UC206-18 UC206-19 UC206-20	FT206	0.91
UCFT207 UCFT207-20 UCFT207-21 UCFT207-22 UCFT207-23	35 1-1/4 1-5/16 1-3/8 1-7/16	165 6-9/64	130 5-1/8	21.5 27/32	14 35/64	36.5 1-7/16	14 35/64	95 3-47/64	44.4 1-3/4	42.9 1.6890	17.5 0.689	M12 7/16	UC207 UC207-20 UC207-21 UC207-22 UC207-23	FT207	1.28
UCFT208 UCFT208-24 UCFT208-25	40 1-1/2 1-9/16	171 6-47/64	143.5 5-21/32	24 61/64	14 35/64	39 1-17/32	14 35/64	105 4-9/64	51.2 2-1/64	49.2 1.9370	19 0.748	M12 7/16	UC208 UC208-24 UC208-25	FT208	1.64
UCFT209 UCFT209-26 UCFT209-27 UCFT209-28	45 1-5/8 1-11/16 1-3/4	179 7-3/64	148.5 5-55/64	24 61/64	14 35/64	40 1-37/64	16 5/8	111 4-3/8	52.2 2-1/16	49.2 1.9370	19 0.748	M14 1/2	UC209 UC209-26 UC209-27 UC209-28	FT209	1.88
UCFT210 UCFT210-29 UCFT210-30 UCFT210-31 UCFT210-32	50 1-13/16 1-7/8 1-15/16 2	189 7-7/16	157 6-3/16	28.5 1-1/8	14 35/64	47 1-27/32	16 5/8	116 4-9/16	54.6 2-5/32	51.6 2.0315	19 0.748	M14 1/2	UC210 UC210-29 UC210-30 UC210-31 UC210-32	FT210	2.18
UCFT211 UCFT211-32 UCFT211-33 UCFT211-34 UCFT211-35	55 2 2-1/16 2-1/8 2-3/16	216 8-1/2	184 7-1/4	32 1-17/64	20 25/32	50 1-31/32	18 45/64	133 5-15/64	58.4 2-5/16	55.6 2.1890	22.2 0.874	M16 5/8	UC211 UC211-32 UC211-33 UC211-34 UC211-35	FT211	3.25



Unit No.	Dimensions												Bolt Size mm inch	Bearing No.	Housing No.	Weight (kg)
	d	a	e	l	g	l	s	b	z	B ₁	n					
HCFT204 HCFT204-12	20 3/4	112 4-13/32	89.5 3-33/64	19 3/4	11 7/16	29 1-9/64	10.5 27/64	60 2-3/8	41.6 1-41/64	43.7 1.720	17.1 0.673	M8 5/16	HC204 HC204-12	FT204	0.50	
HCFT205 HCFT205-13 HCFT205-14 HCFT205-15 HCFT205-16	25 13/16 7/8 15/16 1	124 4-7/8	99 3-57/64	20 25/32	13 1/2	31 1-7/32	13 33-64	70 2-3/4	42.9 1-11/16	44.4 1.748	17.5 0.689	M10 3/8	HC205 HC205-13 HC205-14 HC205-15 HC205-16	FT205	0.69	
HCFT206 HCFT206-17 HCFT206-18 HCFT206-19 HCFT206-20	30 1-1/16 1-1/8 1-3/16 1-1/4	141 5-35/64	116.5 4-37/64	21 53/64	13 1/2	34 1-11/32	13 33/64	82 3-15/64	48.1 1-57/64	48.4 1.906	18.3 0.720	M10 3/8	HC206 HC206-17 HC206-18 HC206-19 HC206-20	FT206	0.98	
HCFT207 HCFT207-20 HCFT207-21 HCFT207-22 HCFT207-23	35 1-1/4 1-5/16 1-3/8 1-7/16	165 6-9/64	130 5-1/8	21.5 27/32	14 35/64	36.5 1-7/16	14 35/64	95 3-47/64	51.3 12-1/64	51.1 2.012	18.8 0.740	M12 7/16	HC207 HC207-20 HC207-21 HC207-22 HC207-23	FT207	1.41	
HCFT208 HCFT208-24 HCFT208-25	40 1-1/2 1-9/16	171 6-47/64	143.5 5-21/32	24 61/64	14 35/64	39 1-17/32	14 35/64	105 4-9/64	55.9 2-13/64	56.3 2.217	21.4 0.843	M12 7/16	HC208 HC208-24 HC208-25	FT208	1.77	
HCFT209 HCFT209-26 HCFT209-27 HCFT209-28	45 1-5/8 1-11/16 1-3/4	179 7-3/64	148.5 5-55/64	24 61/64	14 35/64	40 1-37/64	16 5/8	111 4-3/8	56.9 2-15/64	56.3 2.217	21.4 0.843	M14 1/2	HC209 HC209-26 HC209-27 HC209-28	FT209	2.00	
HCFT210 HCFT210-29 HCFT210-30 HCFT210-31 HCFT210-32	50 1-13/16 1-7/8 1-15/16 2	189 7-7/16	157 6-3/16	28.5 1-1/8	14 35/64	47 1-27/32	16 5/8	116 4-9/16	60.1 2-23/64	62.7 2.469	24.6 0.969	M14 1/2	HC210 HC210-29 HC210-30 HC210-31 HC210-32	FT210	2.38	
HCFT211 HCFT211-32 HCFT211-33 HCFT211-34 HCFT211-35	55 2 2-1/16 2-1/8 2-3/16	216 8-1/2	184 7-1/4	32 1-17/64	20 25/32	50 1-31/32	18 45/64	133 5-15/64	68.6 2-45/64	71.4 2.811	27.8 1.094	M16 5/8	HC211 HC211-32 HC211-33 HC211-34 HC211-35	FT211	3.52	