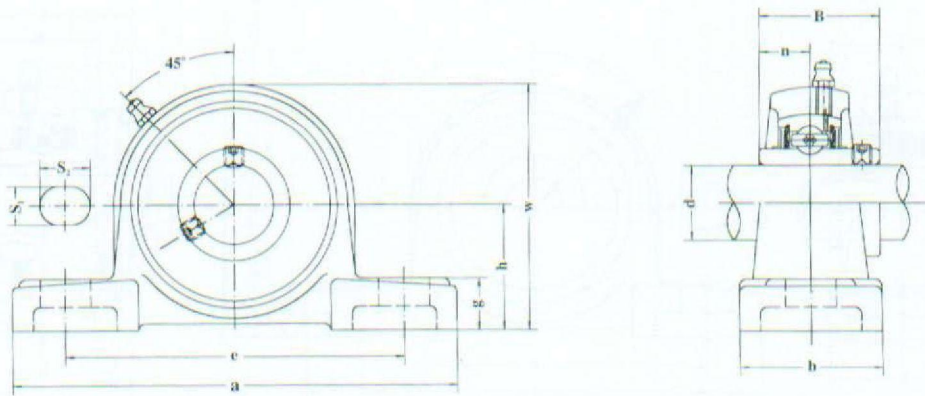


Unit No.	Dimensions											Bolt Size mm inch	Bearing No.	Housing No.	Weight (kg)
	d	h	a	e	b	s ₁	s ₂	g	w	B ₁	n				
HCP204	20	33.3	127	95	38	13	19	14	65	43.7	17.1	M10	HC204	P204	0.73
HCP204-12	3/4	1-5/16	5	3-3/4	1-1/2	1/2	3/4	9/16	2-9/16	1.720	0.673	3/8	HC204-12		0.73
HCP205	25	36.5	140	105	38	13	19	15	71	44.4	17.5	M10	HC205	P205	0.88
HCP205-13	13/16												HC205-13		0.93
HCP205-14	7/8	1-7/16	5-1/2	4-1/8	1-1/2	1/2	3/4	19/32	2-25/32	1.748	0.689	3/8	HC205-14		0.92
HCP205-15	15/16												HC205-15		0.90
HCP205-16	1												HC205-16		0.88
HCP206	30	42.9	165	121	48	17	20	17	84	48.4	18.3	M14	HC206	P206	1.37
HCP206-17	1-1/16												HC206-17		1.42
HCP206-18	1-1/8	1-11/16	6-1/2	4-3/4	1-7/8	43/64	25/32	21/32	3-5/16	1.906	0.720	1/2	HC206-18		1.39
HCP206-19	1-3/16												HC206-19		1.37
HCP206-20	1-4/1												HC206-20		1.34
HCP207	35	47.6	187	127	48	17	20	18	93	51.1	18.8	M14	HC207	P207	1.70
HCP207-20	1-4/1												HC207-20		1.77
HCP207-21	1-5/16	1-7/8	6-9/16	5	1-7/8	43/64	25/32	45/64	3-21/32	2.012	0.740	1/2	HC207-21		1.73
HCP207-22	1-3/8												HC207-22		1.70
HCP207-23	1-7/16												HC208-23		1.67
HCP208	40	49.2	184	137	54	17	20	18	100	56.3	21.4	M14	HC208	P208	2.04
HCP208-24	1-1/2	1-15/16	7-1/4	5-13/32	2-1/8	43/64	25/32	45/64	3-15/16	2.217	0.843	1/2	HC208-24		2.09
HCP208-25	1-9/16												HC208-25		2.05
HCP209	45	54.0	190	146	54	17	20	20	106	56.3	21.4	M14	HC209	P209	2.31
HCP209-26	1-5/8												HC209-26		2.42
HCP209-27	1-11/16	2-1/8	7-15/32	5-3/4	2-1/8	43/64	25/32	25/32	4-11/64	2.217	0.843	1/2	HC209-27		2.37
HCP209-28	1-3/4												HC209-28		2.33
HCP210	50	57.2	206	159	60	20	23	21	113	62.7	24.6	M16	HC210	P210	2.85
HCP210-29	1-13/16												HC210-29		3.00
HCP210-30	1-7/8	2-1/4	8-1/8	6-1/4	2-3/8	25/32	29/32	53/64	4-29/64	2.469	0.969	5/8	HC210-30		2.94
HCP210-31	1-15/16												HC210-31		2.88
HCP210-32	2												HC210-32		2.82
HCP211	55	63.5	219	171	60	20	23	23	125	71.4	27.8	M16	HC211	P211	3.52
HCP211-32	2												HC211-32		3.72
HCP211-33	2-1/16	2-1/2	8-5/8	6-47/64	2-3/8	25/32	29/32	29/32	4-59/64	2.811	1.094	5/8	HC211-33		3.64
HCP211-34	2-1/8												HC211-34		3.57
HCP211-35	2-3/16												HC211-35		3.49
HCP212	60	69.8	241	184	70	20	23	25	138	77.8	31	M16	HC212	P212	5.24
HCP212-36	2-1/4												HC212-36		5.40
HCP212-37	2-5/16	2-3/4	9-1/2	7-1/4	2-3/4	25/32	29/32	63/64	5-7/16	3.063	1.220	5/8	HC212-37		5.31
HCP212-38	2-3/8												HC212-38		5.26
HCP212-39	2-7/16												HC212-39		5.13
HCP213	65	76.2	265	203	70	25	28	27	150	85.7	34.1	M20	HC213	P213	5.71
HCP213-40	2-1/2	3	10-7/16	8	2-3/4	63/64	1-3/32	1-1/16	5-29/32	3.374	1.343	3/4	HC213-40		5.81
HCP213-41	2-9/16												HC213-41		5.70
HCP214	70	79.4	266	210	72	25	28	27	156	85.7	34.1	M20	HC214	P214	6.70
HCP214-42	2-3/8												HC214-42		6.94
HCP214-43	2-11/16	3-1/8	10-15/32	8-17/64	2-27/32	63/64	1-3/32	1-1/16	6-9/64	3.374	1.343	3/4	HC214-43		6.83
HCP214-44	2-3/4												HC214-44		6.71
HCP215	75	82.6	275	217	74	25	28	28	162	92.1	37.3	M20	HC215	P215	7.79
HCP215-45	2-13/16												HC215-45		8.09
HCP215-46	2-7/8	3-1/4	10-53/64	8-35/64	2-29/32	63/64	1-3/32	1-3/32	6-3/8	3.626	1.426	3/4	HC215-46		7.96
HCP215-47	2-15/16												HC215-47		7.83
HCP215-48	3												HC215-48		7.69

Pillow Blocks

UCLP2(Normal-duty)

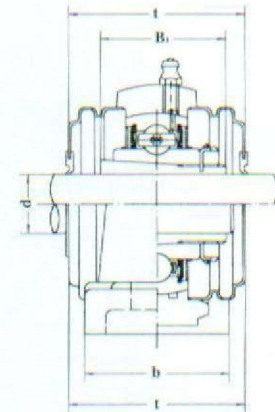
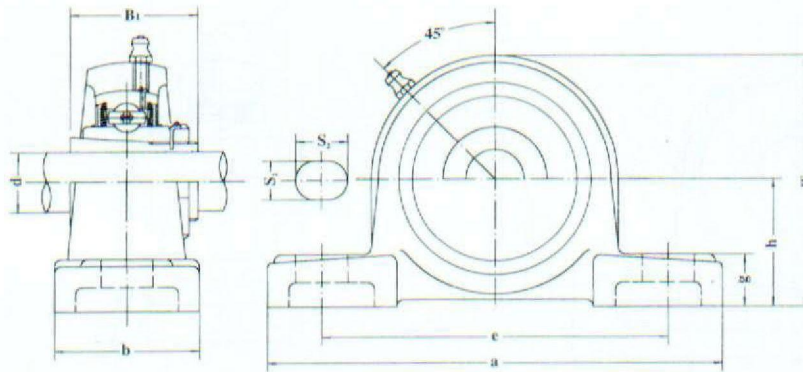


Unit No.	Dimensions ^{mm} _{in.}											Bolt Size ^{mm} _{inch}	Bearing No.	Housing No.	Weight (kg)
	d	h	a	e	b	s ₁	s ₂	g	w	B	n				
UCLP201	12	31.75	127	95	38	13	16	14	64	31	12.7	M10	UC201	LP204	0.69
UCLP201-8	1/2	1-1/4	5	3-3/4	1-1/2	1/2	5/8	9/16	2-33/64	1.2205	0.500	3/8	UC201-8		0.69
UCLP202	15	31.75	127	95	38	13	16	14	64	31	12.7	M10	UC202	LP204	0.69
UCLP202-9	9/16	1-1/4	5	3-3/4	1-1/2	1/2	5/8	9/16	2-33/64	1.2205	0.500	3/8	UC202-9		0.69
UCLP202-10	5/8												UC202-10		0.69
UCLP203	17	31.75	127	95	38	13	16	14	64	31	12.7	M10	UC203	LP204	0.68
UCLP203-11	11/16	1-1/4	5	3-3/4	1-1/2	1/2	5/8	9/16	2-33/64	1.2205	0.500	3/8	UC203-11		0.67
UCLP204	20	31.75	127	95	38	13	16	14	64	31	12.7	M10	UC204	LP204	0.66
UCLP204-12	3/4	1-1/4	5	3-3/4	1-1/2	1/2	5/8	9/16	2-33/64	1.2205	0.500	3/8	UC204-12		0.66
UCLP205	25	33.34	140	105	38	13	16	15	68	34.1	14.3	M10	UC205	LP205	0.81
UCLP205-13	13/16												UC205-13		0.85
UCLP205-14	7/8	1-5/16	5-1/2	4-1/8	1-1/2	1/2	5/8	19/32	2-43/64	1.3425	0.563	3/8	UC205-14		0.83
UCLP205-15	15/16												UC205-15		0.82
UCLP205-16	1												UC205-16		0.81
UCLP206	30	39.69	165	121	48	17	20	17	80	38.1	15.9	M14	UC206		LP206
UCLP206-17	1-1/16												UC206-17	1.27	
UCLP206-18	1-1/8	1-9/16	6-1/2	4-3/4	1-7/8	43/64	25/32	21/32	3-5/32	1.5000	0.626	1/2	UC206-18	1.26	
UCLP206-19	1-3/16												UC206-19	1.24	
UCLP206-20	1-1/4												UC206-20	1.23	
UCLP207	35	46.04	167	127	48	17	20	18	91	42.9	17.5	M14	UC207	LP207	1.58
UCLP207-20	1-1/4												UC207-20		1.64
UCLP207-21	1-5/16	1-13/16	6-9/16	5	1-7/8	43/64	25/32	45/64	3-37/64	1.6890	0.689	1/2	UC207-21		1.61
UCLP207-22	1-3/8												UC207-22		1.58
UCLP207-23	1-7/16												UC207-23		1.55
UCLP208	40	49.2	184	137	54	17	20	18	100	49.2	19	M14	UC208	LP208	1.89
UCLP208-24	1-1/2	1-15/16	7-1/4	5-13/32	2-1/8	43/64	25/32	45/64	3-15/16	1.9370	0.748	1/2	UC208-24		1.93
UCLP208-25	1-9/16												UC208-25		1.90
UCLP209	45	52.39	190	146	54	17	20	20	104	49.2	19	M14	UC209	LP209	2.14
UCLP209-26	1-5/8												UC209-26		2.24
UCLP209-27	1-11/16	2-1/16	7-15/32	5-3/4	2-1/8	43/64	25/32	25/32	4-3/32	1.9370	0.748	1/2	UC209-27		2.20
UCLP209-28	1-3/4												UC209-28		2.14
UCLP210	50	55.56	206	159	60	20	23	21	112	51.6	19	M16	UC210	LP210	2.66
UCLP210-29	1-13/16												UC210-29		2.78
UCLP210-30	1-7/8	2-3/16	8-1/8	6-1/4	2-3/8	25/32	29/32	53/64	4-13/32	2.0315	0.748	5/8	UC210-30		2.73
UCLP210-31	1-15/16												UC210-31		2.68
UCLP210-32	2												UC210-32		2.64
UCLP211	55	61.91	219	171	60	20	23	23	124	55.6	22.2	M16	UC211	LP211	3.31
UCLP211-32	2												UC211-32		3.46
UCLP211-33	2-1/16	2-7/16	8-5/8	6-47/64	2-3/8	25/32	29/32	29/32	4-7/8	2.1890	0.874	5/8	UC211-33		3.40
UCLP211-34	2-1/8												UC211-34		3.35
UCLP211-35	2-3/16												UC211-35		3.29
UCLP212	60	68.26	241	184	70	20	23	25	136	65.1	25.4	M16	UC212	LP212	4.90
UCLP212-36	2-1/4												UC212-36		5.03
UCLP212-37	2-5/16	2-11/16	9-1/2	7-1/4	2-3/4	25/32	29/32	63/64	5-23/64	2.5630	1.000	5/8	UC212-37		4.95
UCLP212-38	2-3/8												UC212-38		4.88
UCLP212-39	2-7/16												UC212-39		4.81



UKP 2 (Normal - duty)

Pillow Blocks
(with adapter mounted)

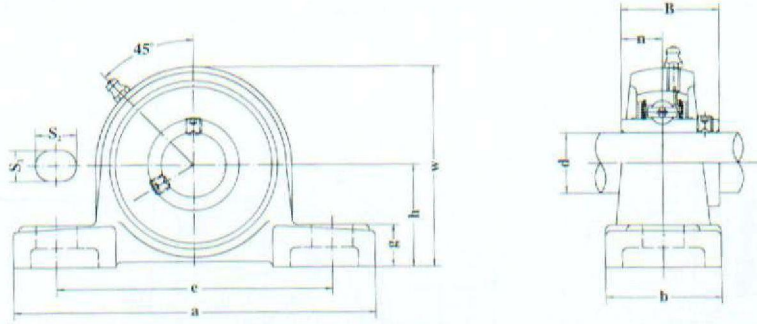


UKP-C₁(D₁)

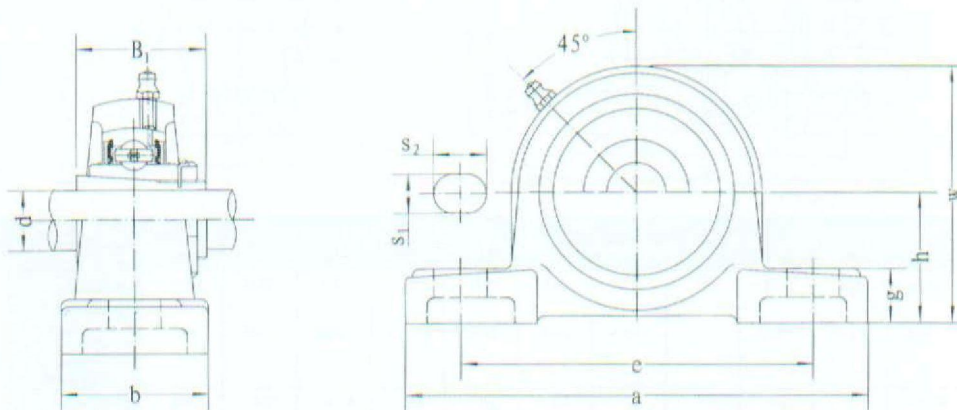
Unit No.	Dimensions ^{mm} _{in.}											Bolt Size mm inch	Bearing No.	Housing No.	Weight (kg)
	d	h	a	e	b	s ₁	s ₂	g	w	t	B ₁				
UKP205;H2305	20	36.5	140	105	38	13	19	15	71	48	35	M10	UK205;H2305	P205	0.86
UKP205;HE2305	3/4	1-7/16	5-1/2	4-1/8	1-1/2	1/2	3/4	19/32	2-25/32	1-57/64	1.378	3/8	UK205;HE2305		
UKP206;H2306	25	42.9	165	121	48	17	20	17	84	53	38	M14	UK206;H2306	P206	1.28
UKP206;HS2306	7/8	1-11/16	6-1/2	4-3/4	1-7/8	43/64	25/32	43/64	3-5/16	2-5/64	1.496	1/2	UK206;HS2306		
UKP206;HE2306	1												UK206;HE2306		
UKP207;H2307	30	47.6	167	127	48	17	20	18	93	59.5	43	M14	UK207;H2307	P207	1.67
UKP207;HS2307	1-1/8	1-7/8	6-9/16	5	1-7/8	43/64	25/32	45/64	3-21/32	2-11/32	1.693	1/2	UK207;HS2307		
UKP208;H2308	35	49.2	184	137	54	17	20	18	100	69	46	M14	UK208;H2308	P208	1.99
UKP208;HE2308	1-1/4	1-15/16	7-1/4	5-13/32	2-1/8	43/64	25/32	45/64	3-15/16	2-23/32	1.811	1/2	UK208;HE2308		
UKP208;HS2308	1-3/8												UK208;HS2308		
UKP209;H2309	40	54.0	190	146	54	17	20	20	106	69	50	M14	UK209;H2309	P209	1.29
UKP209;HA2309	1-7/16												UK209;HA2309		
UKP209;HE2309	1-1/2	2-1/8	7-15/32	5-3/4	2-1/8	43/64	25/32	25/32	4-11/64	2-23/32	1.969	1/2	UK209;HE2309		
UKP209;HS2309	1-5/8												UK209;HS2309		
UKP210;H2310	45	57.2	206	159	60	20	23	21	113	74.5	55	M16	UK210;H2310	P210	2.83
UKP210;HS2310	1-5/8												UK210;HS2310		
UKP210;HA2310	1-11/16	2-1/4	8-1/8	6-1/4	2-3/8	25/32	29/32	53/64	4-29/64	2-15/16	2.165	5/8	UK210;HA2310		
UKP210;HE2310	1-3/4												UK210;HE2310		
UKP211;H2311	50	63.5	219	171	60	20	23	23	125	76	59	M16	UK211;H2311	P211	3.46
UKP211;HS2311	1-7/8												UK211;HS2311		
UKP211;HA2311	1-15/16	2-1/2	8-5/8	6-47/64	2-3/8	25/32	29/32	29/32	4-59/64	3	2.323	5/8	UK211;HA2311		
UKP211;HE2311	2												UK211;HE2311		
UKP212;H2312	55	69.8	241	184	70	20	23	25	138	89	62	M16	UK212;H2312	P212	4.95
UKP212;HS2312	2-1/8	2-3/4	9-1/2	7-1/4	2-3/4	25/32	29/32	63/64	5-7/16	3-1/2	2.441	5/8	UK212;HS2312		
UKP213;H2313	60	76.2	265	203	70	25	28	27	150	89	65	M20	UK213;H2313	P213	5.06
UKP213;HA2313	2-3/16												UK213;HA2313		
UKP213;HE2313	2-1/4	3	10-7/16	8	2-3/4	63/64	1-3/32	1-1/16	5-29/32	3-1/2	2.559	3/4	UK213;HE2313		
UKP213;HS2313	2-3/8												UK213;HS2313		
UKP215;H2315	65	82.6	275	217	74	25	28	28	162		73	M20	UK215;H2315	P215	7.27
UKP215;HA2315	2-7/16	3-1/4	10-53/64	8-35/64	2-29/32	63/64	1-3/32	1-3/32	6-3/8		2.874	3/4	UK215;HA2315		
UKP215;HE2315	2-1/2												UK215;HE2315		
UKP216;H2316	70	88.9	292	232	78	25	28	30	174		78	M20	UK216;H2316	P216	8.36
UKP216;HA2316	2-11/16	3-1/2	11-1/2	9-1/8	3-1/16	63/64	1-3/32	1-3/16	6-27/32		3.071	3/4	UK216;HA2316		
UKP216;HE2316	2-3/4												UK216;HE2316		
UKP217;H2317	75	95.2	310	247	83	25	28	32	185		82	M20	UK217;H2317	P217	10.23
UKP217;HA2317	2-15/16	3-3/4	12-13/64	9-23/32	3-17/64	63/64	1-3/32	1-1/4	7-9/32		3.228	3/4	UK217;HA2317		
UKP217;HE2317	3												UK217;HE2317		
UKP218;H2318	80	101.6	327	262	88	27	30	33	198		86	M22	UK218;H2318	P218	12.34
UKP218;HA2318	3-3/16	4	12-7/8	10-5/16	3-15/32	1-1/16	1-3/16	1-19/64	7-51/64		3.386	7/8	UK218;HA2318		

Pillow Blocks

UCPX (medium-duty)

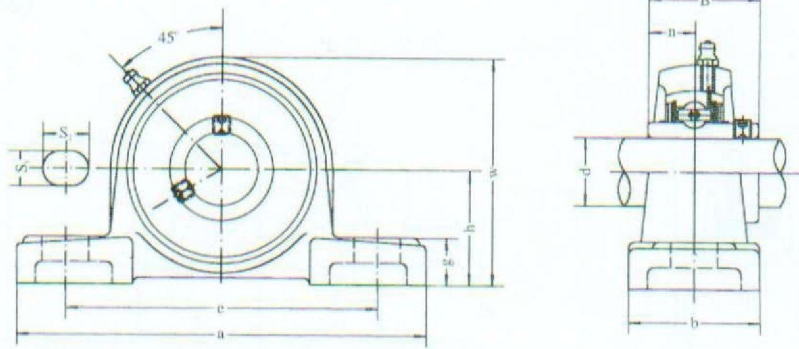


Unit No.	Dimensions <small>mm in.</small>											Bolt Size <small>mm inch</small>	Bearing No.	Housing No.	Weight (kg)
	d	h	a	e	b	s ₁	s ₂	g	w	B	n				
UCPX05	25	44.4	159	119	51	17	20	18	85	38.1	15.9	M14	UCX05	PX05	1.5
UCPX05-13	13/16												UCX05-13		
UCPX05-14	7/8	1-3/4	6-1/4	4-11/16	2	43/64	29/32	23/32	3-11/32	1.5000	0.626	1/2	UCX05-14		
UCPX05-15	15/16												UCX05-15		
UCPX05-16	1												UCX05-16		
UCPX06	30	47.6	175	127	57	17	20	20	93	42.9	17.5	M14	UCX06	PX06	2.0
UCPX06-17	1-1/16												UCX06-17		
UCPX06-18	1-1/8	1-7/8	6-7/8	5	2-1/4	43/64	25/32	25/32	3-21/32	1.6890	0.689	1/2	UCX06-18		
UCPX06-19	1-3/16												UCX06-19		
UCPX06-20	1-1/4												UCX06-20		
UCPX07	35	54.0	203	144	57	17	20	21	105	49.2	19	M14	UCX07	PX07	2.6
UCPX07-21	1-5/16												UCX07-21		
UCPX07-22	1-3/8	2-1/8	8	5-21/32	2-1/4	43/64	25/32	13/16	4-1/8	1.9370	0.748	1/2	UCX07-22		
UCPX07-23	1-7/16												UCX07-23		
UCPX08	40	58.7	222	156	67	20	23	26	111	49.2	19	M16	UCX08	PX08	3.3
UCPX08-24	1-1/2	2-5/16	8-3/4	6-5/32	2-6/8	25/32	29/32	1-1/32	4-3/8	1.9370	0.748	5/8	UCX08-24		
UCPX08-25	1-9/16												UCX08-25		
UCPX09	45	58.7	222	156	67	20	23	26	116	51.6	19	M16	UCX09	PX09	3.3
UCPX09-26	1-5/8												UCX09-26		
UCPX09-27	1-11/16	2-5/16	8-3/4	6-5/32	2-5/8	25/32	29/32	1-1/32	4-9/16	2.0315	0.748	5/8	UCX09-27		
UCPX09-28	1-3/4												UCX09-28		
UCPX09-29	1-13/16												UCX09-29		
UCPX10	50	63.5	241	171	73	20	23	27	126	55.6	22.2	M16	UCX10	PX10	4.3
UCPX10-30	1-7/8												UCX10-30		
UCPX10-31	1-15/16	2-1/2	9-1/2	6-47/64	2-7/8	25/32	29/32	1-1/16	4-31/32	2.1890	0.874	5/8	UCX10-31		
UCPX10-32	2												UCX10-32		
UCPX211	55	69.8	260	184	79	25	28	30	137	65.1	25.4	M20	UCX11	PX11	5.7
UCPX211-33	2-1/16												UCX11-33		
UCPX211-34	2-1/8	2-3/4	10-1/4	7-1/4	3-1/8	31/32	1-3/32	1-3/16	5-13/32	2.5630	1.000	3/4	UCX11-34		
UCPX211-35	2-3/16												UCX11-35		
UCPX211-36	2-1/4												UCX11-36		
UCPX211-37	2-5/16												UCX11-37		
UCPX12	60	76.2	286	203	83	25	28	33	151	65.1	25.4	M20	UCX12	PX12	7.3
UCPX12-38	2-3/8	3	11-1/4	8	3-9/32	31/32	1-3/32	1-5/16	5-15/16	2.5630	1.000	3/4	UCX12-38		
UCPX12-39	2-7/16												UCX12-39		
UCPX13	65	76.2	286	203	83	25	28	33	154	74.6	30.2	M20	UCX13	PX13	7.6
UCPX13-40	2-1/2	3	11-1/4	8	3-9/32	63/64	1-3/32	1-5/16	6-1/16	2.9370	1.189	3/4	UCX13-40		
UCPX13-41	2-9/16												UCX13-41		
UCPX14	70	88.9	330	229	89	27	30	35	170	77.8	33.3	M22	UCX14	PX14	9.9
UCPX14-42	2-5/8	3-1/2	13	9-1/32	3-1/2	1-1/16	1-3/16	1-3/8	6-11/16	3.0630	1.311	7/8	UCX14-42		
UCPX14-43	2-11/16												UCX14-43		
UCPX14-44	2-3/4												UCX14-44		
UCPX15	75	88.9	330	229	89	27	30	35	175	82.6	33.3	M22	UCX15	PX15	11
UCPX15-45	2-13/16												UCX15-45		
UCPX15-46	2-7/8	3-1/2	13	9-1/32	3-1/2	1-1/16	1-3/16	1-3/8	6-7/8	3.2520	1.311	7/8	UCX15-46		
UCPX15-47	2-15/16												UCX15-47		
UCPX15-48	3												UCX15-48		
UCPX16	80	101.6	381	283	102	27	30	40	194	85.7	34.1	M22	UCX16	PX16	15
UCPX16-49	3-1/16												UCX16-49		
UCPX16-50	3-1/8	4	15	11-5/32	4-1/32	1-1/16	1-3/16	1-9/16	7-5/8	3.3740	1.343	7/8	UCX16-50		
UCPX16-51	3-3/16												UCX16-51		
UCPX16-52	3-1/4												UCX16-52		
UCPX17	85	101.6	381	283	102	27	30	40	200	96	39.7	M22	UCX17	PX17	16
UCPX17-53	3-5/16	4	15	11-5/32	4-1/32	1-1/16	1-3/16	1-9/16	7-7/8	3.7795	1.583	7/8	UCX17-53		
UCPX17-55	3-7/16												UCX17-55		
UCPX18	90	101.6	381	283	111	27	30	40	206	104.0	42.9	M22	UCPX18	PX18	17
UCPX18-56	3-1/2	4	15	11-5/32	4-3/8	1-1/16	1-3/16	1-37/64	8-7/64	4.0945	1.6890	7/8	UCPX18-56		
UCPX20	100	127.0	432	337	121	33	36	45	244	117.5	49.2	M27	UCPX20	PX20	30
UCPX20-64	4	5	17	13-9/32	4-3/4	1-5/16	1-27/64	1-25/32	9-39/64	4.6260	1.9370	1	UCPX20-64		

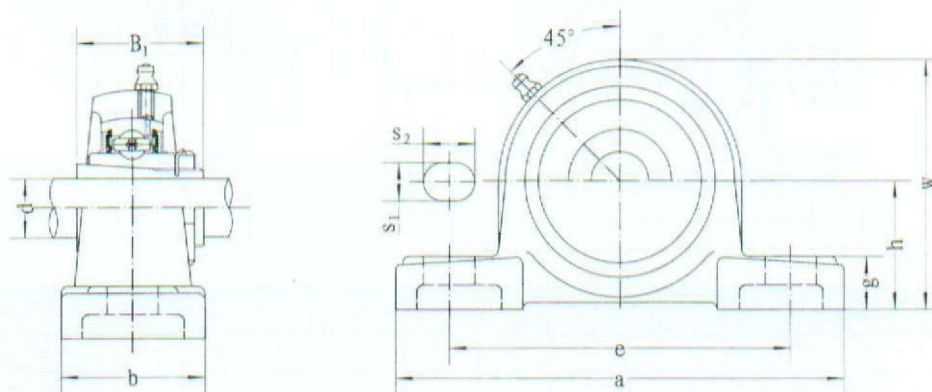


Unit No.	Dimensions ^{mm} _{in.}										Bolt Used mm	Bearing NO.	Housing NO.	Weight (kg)
	d	h	a	e	b	S ₁	S ₂	g	w	B ₁				
UKPX05;H2305	20	44.4	159	119	51	17	20	18	85	35	M14	UKX05;H2305	PX05	1.5
UKPX05;HE2305	3/4	1-3/4	6-1/4	4-11/16	2	43/64	25/32	3-11/32	1.378	1/2		UKX05;HE2305		
UKPX06;H2306	25	47.6	175	127	57	17	20	20	93	38	M14	UKX06;H2306	PX06	2.1
UKPX06;HS2306	7/8	1-7/8	6-7/8	5	2-1/4	43/64	25/32	25/32	3-21/32	1.496	1/2	UKX06;HS2306		
UKPX06;HE2306	1											UKX06;HE2306		
UKPX07;H2307	30	54.0	203	144	57	17	20	21	105	43	M14	UKX07;H2307	PX07	2.7
UKPX07;HS2307	1-1/8	2-1/8	8	5-21/32	2-1/4	43/64	23/32	13/16	4-1/8	1.693	1/2	UKX07;HS2307		
UKPX08;H2308	35	58.7	222	156	67	20	23	26	111	46	M16	UKX08;H2308	PX08	3.5
UKPX08;HE2308	1-1/4	2-5/16	8-3/4	6-5/32	2-5/8	25/32	29/32	1-1/32	4-3/8	1.811	5/8	UKX08;HE2308		
UKPX08;HS2308	1-3/8											UKX08;HS2308		
UKPX09;H2309	40	58.7	222	156	67	20	23	26	116	50	M16	UKX09;H2309	PX09	3.7
UKPX09;HA2309	1-7/16	2-5/16	8-3/4	6-5/32	2-5/8	25/32	29-32	1-1/32	4-9/16	1.969	5/8	UKX09;HA2309		
UKPX09;HE2309	1-1/2	2-5/16	8-3/4	6-5/32	2-5/8	25/32	29/32	1-1/32	4-9/16	1.969	5/8	UKX09;HE2309		
UKPX09;HS2309	1-5/8											UKX09;HS2309		
UKPX10;H2310	45	63.5	241	171	73	20	23	27	126	55	M16	UKX10;H2310	PX10	4.6
UKPX10;HS2310	1-5/8											UKX10;HS2310		
UKPX10;HA2310	1-11/16	2-1/2	9-1/2	6-47/64	2-7/8	25/32	29/32	1-1/16	4-31/32	2.165	5/8	UKX10;HA2310		
UKPX10;HE2310	1-3/4											UKX10;HE2310		
UKPX11;H2311	50	69.8	260	184	79	25	28	30	137	59	M20	UKX11;H2311	PX11	6.2
UKPX11;HS2311	17/8											UKX11;HS2311		
UKPX11;HA2311	1-15/16	2-3/4	10-1/4	7-1/4	3-1/8	31/32	1-3/32	1-3/16	5-13/32	2.323	3/4	UKX11;HA2311		
UKPX11;HE2311	2											UKX11;HE2311		
UKPX12;H2312	55	76.2	286	203	83	25	28	33	151	62	M20	UKX12;H2312	PX12	7.5
UKPX12;HS2312	2-1/8	3	11-1/4	8	3-9/32	63/64	1-3/32	1-5/16	2.441	3/4		UKX12;HS2312		
UKPX13;H2313	60	76.2	286	203	83	25	28	33	154	65	M20	UKX13;H2313	PX13	7.8
UKPX13;HA2313	2-3/16											UKX13;HA2313		
UKPX13;HE2313	2-1/4	3	11-1/4	8	3-9/32	63/64	1-3/32	1-5/16	6-1/16	2.559	3/4	UKX13;HE2313		
UKPX13;HS2313	2-3/8											UKX13;HS2313		
UKPX15;H2315	65	88.9	330	229	89	27	30	35	175	73	M22	UKX15;H2315	PX15	10.5
UKPX15;HA2315	2-7/16	3-1/2	13	9-1/32	3-1/2	1-1/16	1-3/16	1-3/8	6-7/8	2.874	7/8	UKX15;HA2315		
UKPX15;HS2315	2-1/2											UKX15;HS2315		
UKPX16;H2316	70	101.6	381	283	102	27	30	40	194	78	M22	UKX16;H2316	PX16	15.4
UKPX16;HA2316	2-11/16	4	15	11-5/32	4-1/32	1-1/16	1-3/16	1-9/16	7-5/8	3.071	7/8	UKX16;HA2316		
UKPX16;HS2316	2-3/4											UKX16;HS2316		
UKPX17;H2317	75	101.6	381	283	102	27	30	40	200	82	M22	UKX17;H2317	PX17	15.8
UKPX17;HA2317	2-15/16	4	15	11-5/32	4-1/32	1-1/16	1-3/16	1-9/16	7-7/8	3.228	7/8	UKX17;HA2317		
UKPX17;HE2317	3											UKX17;HE2317		
UKPX18;H2318	80	101.6	381	283	111	27	30	40	206	86	M22	UKX18;H2318	PX18	18.6
UKPX18;HA2318	3-3/16	4	15	11-5/32	4-3/8	1-1/16	1-3/16	1-9/16	8-1/8	3.386	7/8	UKX18;HA2318		
UKPX20;H2320	90	127.0	432	337	121	33	36	45	244	97	M27	UKX20;H2320	PX19	29.3
UKPX20;HA2320	3-1/2	5	17	13-9/32	4-3/4	1-5/16	1-13/32	1-25/32	9-5/8	3.814	1-1/16	UKX20;HA2320		

Pillow Blocks



Unit No.	Dimensions											Bolt Size mm inch	Bearing No.	Housing No.	Weight (kg)
	d	h	a	e	b	S ₁	S ₂	g	w	B	n				
UCP305 UCP305-13 UCP305-14 UCP305-15 UCP305-16	25 13/16 7/8 15/16 1	45 1-9/64	175 6-7/8	132 5-3/16	45 1-25/32	17 43/64	20 25/32	15 19/32	85 3-11/32	38 1.4961	15 0.591	M14 1/2	UC305 UC305-13 UC305-14 UC305-15 UC305-16	P305	1.4
UCP306 UCP306-17 UCP306-18 UCP306-19	30 1-1/16 1-1/8 1-3/16	50 1-3/32	180 7-3/32	140 5-1/2	50 1-31/32	17 43/64	20 25/32	18 23/32	95 3-3/4	43 1.6929	17 0.669	M14 1/2	UC306 UC306-17 UC306-18 UC306-19	P306	1.8
UCP307 UCP307-20 UCP307-21 UCP307-22 UCP307-23	35 1-1/4 1-5/16 1-3/8 1-7/16	56 1-13/64	210 8-9/32	160 6-5/16	56 2-13/64	17 43/64	25 31/32	20 25/32	106 4-3/16	48 1.8898	19 1.748	M14 1/2	UC307 UC307-20 UC307-21 UC307-22 UC307-23	P307	2.8
UCP308 UCP308-24 UCP308-25	40 1-1/2 1-9/16	60 2-23/64	220 8-21/32	170 6-11/16	60 2-3/8	17 43/64	27 1-11/16	22 7/8	116 4-9/16	52 2.0472	19 0.748	M14 1/2	UC308 UC308-24 UC308-25	P308	3.0
UCP309 UCP309-26 UCP309-27 UCP309-28	45 1-5/8 1-11/16 1-3/4	67 2-41/64	245 9-21/32	190 7-15/32	67 2-5/8	20 25/32	30 1-3/16	24 15/16	129 5-3/32	57 2.2441	22 0.866	M16 5/8	UC309 UC309-26 UC309-27 UC309-28	P309	4.1
UCP310 UCP310-29 UCP310-30 UCP310-31	50 1-13/16 1-7/8 1-15/16	75 2-61/64	275 10-13/16	212 8-11/32	75 2-15/16	20 25/32	35 1-3/8	27 1-1/16	143 5-5/8	61 2.4016	22 0.866	M16 5/8	UC310 UC310-29 UC310-30 UC310-31	P310	5.8
UCP311 UCP311-32 UCP311-33 UCP311-34 UCP311-35	55 2 2-1/16 2-1/8 2-3/16	80 3-5/32	310 12-7/32	236 9-9/32	80 3-5/32	20 25/32	38 1-1/2	30 1-3/16	154 6-1/16	66 2.5984	25 0.984	M16 5/8	UC311 UC311-32 UC311-33 UC311-34 UC311-35	P311	7.4
UCP312 UCP312-36 UCP312-37 UCP312-38 UCP312-39	60 2-1/4 2-5/16 2-3/8 2-7/16	85 3-11/32	330 13	250 9-17/32	85 3-11/32	25 31/32	38 1-1/2	33 1-1/4	176 6-1/2	75 2.7953	30 1.024	M20 3/4	UC312 UC312-36 UC312-37 UC312-38 UC312-39	P312	9.4
UCP313 UCP313-40 UCP313-41	65 2-1/2 2-9/16	90 3-35/64	340 13-3/8	260 10-1/4	90 3-17/32	25 31/32	38 1-1/2	33 1-5/16	176 6-15/16	75 2.9528	30 1.181	M20 3/4	UC313 UC313-40 UC313-41	P313	10
UCP314 UCP314-42 UCP314-43 UCP314-44	70 2-5/8 2-11/16 2-3/4	95 3-47/64	360 14-3/16	280 11-1/32	90 3-17/32	27 1-1/16	40 1-9/16	35 1-3/8	187 7-3/8	78 3.0708	33 1.299	M22 7/8	UC314 UC314-42 UC314-43 UC314-44	P314	12
UCP315 UCP315-45 UCP315-46 UCP315-47 UCP315-48	75 2-13/16 2-7/8 2-15/16 3	100 3-15/16	380 14-31/32	290 11-13/32	100 3-15/16	27 1-1/16	40 1-9/16	35 1-3/8	198 7-25/32	82 3.2283	32 1.260	M22 7/8	UC315 UC315-45 UC315-46 UC315-47 UC315-48	P315	14
UCP316 UCP316-49 UCP316-50 UCP316-51	80 3-1/16 3-1/8 3-3/16	106 4-11/64	400 15-3/4	300 11-13/16	110 4-11/32	27 1-1/16	40 1-9/16	40 1-9/16	210 8-9/32	86 3.3858	34 1.339	M22 7/8	UC316 UC316-49 UC316-50 UC316-51	P316	18
UCP317 UCP317-52 UCP317-53 UCP317-55	85 3-1/4 3-5/16 3-7/16	112 4-13/32	420 16-17/32	320 12-19/32	110 4-11/32	33 1-5/16	45 1-25/32	40 1-9/16	220 8-21/32	96 3.7795	40 1.575	M27 1	UC317 UC317-52 UC317-53 UC317-55	P317	20
UCP318 UCP318-55 UCP318-56	90 3-7/16 3-1/2	118 4-41/64	430 16-16/16	330 13	110 4-11/32	33 1-5/16	45 1-25/32	45 1-25/32	235 9-1/4	96 3.7795	40 1.575	M27 1	UC318 UC318-55 UC318-56	P318	24
UCP319 UCP319-58 UCP319-59 UCP319-60	95 3-5/8 3-11/16 3-3/4	125 4-59/64	470 18-1/2	360 14-3/16	120 4-23/32	36 1-13/32	50 1-31/32	50 1-29/32	250 9-27/32	103 4.0551	41 1.614	M30 1-1/8	UC319 UC319-58 UC319-59 UC319-60	P319	29
UCP320 UCP320-64	100 4	140 5-33/64	490 19-9/32	380 14-31/32	120 1-23/32	36 1-31/32	50 1-31/31	50 10-53/64	275 4.2520	108 1.6536	42 1-1/8	M30 1-1/8	UC320 UC320-64	P320	35.0 34.9
UCP322	110	150	520	400	140	40	55	55	300	117	46	M30	UC322	P322	45
UCP324	120	160	570	450	140	40	55	65	320	126	51	M33	UC324	P324	55
UCP326	130	180	600	480	140	40	55	75	355	135	54	M33	UC326	P326	72
UCP328	140	200	620	500	140	40	55	75	390	145	59	M33	UC328	P328	89



Unit No.	Dimensions ^{mm} _{in.}										Bolt Size mm inch	Bearing No.	Housing No.	Weight (kg)
	d	h	a	e	b	S ₁	S ₂	g	w	B ₁				
UKP305;H2305	20	45	175	132	45	17	20	15	85	35	M14	UK305;H2305	P305	1.7
UKP305;HE2305	3/4	1-49/64	6-7/8	5-3/16	1-3/4	43/64	19/32	25/32	3-11/32	1.378	1/2	UK305;HE2305		
UKP306;H2306	25	50	180	140	50	17	20	18	95	38	M14	UK306;H2306	P306	2.3
UKP306;HS2306	7/8	1-31/32	7-3/32	5-1/2	1-31/32	43/64	25/32	23/32	3-3/4	1.496	1/2	UK306;HS2306		
UKP306;HE2306	1											UK306;HE2306		
UKP307;H2307	30	56	210	160	56	17	25	20	106	43	M14	UK307;H2307	P307	3.0
UKP307;HS2307	1-1/8	2-13/64	8-9/32	6-5/16	2-7/32	43/64	63/64	25/32	4-3/16	1.693	1/2	UK307;HS2307		
UKP308;H2308	35	60	220	170	60	17	27	22	116	46	M16	UK308;H2308	P308	3.8
UKP308;HE2308	1-1/4	2-23/64	8-21/32	6-11/16	2-3/8	43/64	1-1/16	7/8	4-9/16	1.811	5/8	UK308;HE2308		
UKP308;HS2308	1-3/8											UK308;HS2308		
UKP309;H2309	40	67	245	190	67	20	30	24	129	50	M16	UK309;H2309	P309	5.0
UKP309;HA2309	1-7/16											UK309;HA2309		
UKP309;HE2309	1-1/2	1-41/64	9-21/32	7-15/32	2-5/8	25/32	1-3/16	15/16	5-3/32	1.969	5/8	UK309;HE2309		
UKP309;HS2309	1-5/8											UK309;HS2309		
UKP310;H2310	45	75	275	212	75	20	35	27	143	55	M16	UK310;H2310	P310	6.7
UKP310;HS2310	1-5/8											UK310;HS2310		
UKP310;HA2310	1-11/16	2-61/64	10-13/16	8-11/32	2-15/16	25/32	1-3/8	1-1/16	5-5/8	2.165	5/8	UK310;HA2310		
UKP310;HE2310	1-3/4											UK310;HE2310		
UKP311;H2311	50	80	310	236	80	2	38	30	154	59	M16	UK311;H2311	P311	8.1
UKP311;HS2311	1-7/8											UK311;HS2311		
UKP311;HA2311	1-15/16	3-5/32	12-7/32	9-9/32	3-5/32	25/32	1-1/2	1-3/16	6-1/16	2.323	5/8	UK311;HA2311		
UKP311;HE2311	2											UK311;HE2311		
UKP312;H2312	55	85	330	250	85	25	38	32	165	62	M20	UK312;H2312	P312	9.4
UKP312;HS2312	2-1/8	3-11/32	12	9-27/32	3-11/32	63/64	1-1/2	1-1/4	6-1/2	2.441	3/4	UK312;HS2312		
UKP313;H2313	60	90	340	260	90	25	38	33	176	65	M20	UK313;H2313	P313	10.8
UKP313;HA2313	2-3/16											UK313;HA2313		
UKP313;HS2313	2-1/4	3-35/64	13-3/8	10-1/4	3-17/32	63/64	1-1/2	1-5/16	6-15/16	2.559	3/4	UK313;HS2313		
UKP313;HE2313	2-3/8											UK313;HE2313		
UKP315;H2315	65	100	380	290	100	27	40	35	198	73	M22	UK315;H2315	P315	14.9
UKP315;HA2315	2-7/16	3-15/16	14-31/32	11-13/32	3-15/16	1-1/16	1-9/16	1-3/8	7-25/32	2.874	7/8	UK315;HA2315		
UKP315;HE2315	2-1/2											UK315;HE2315		
UKP316;H2316	70	106	400	300	110	27	40	40	210	78	M22	UK316;H2316	P316	18.6
UKP316;HA2316	2-11/16	4-11/64	15-3/4	11-13/16	4-11/32	1-1/16	1-9/16	1-9/16	8-9/32	3.071	7/8	UK316;HA2316		
UKP316;HE2316	2-3/4											UK316;HE2316		
UKP317;H2317	75	112	420	320	110	33	45	40	220	82	M27	UK317;H2317	P317	20.2
UKP317;HA2317	2-15/16	4-11/64	16-17/32	12-19/32	4-11/32	1-5/16	1-25/32	1-9/16	8-21/32	3.228	1	UK317;HA2317		
UKP317;HS2317	3											UK317;HS2317		
UKP318;H2318	80	118	430	330	110	33	45	45	235	86	M27	UK318;H2318	P318	22.8
UKP318;HA2318	3-3/16	4-41/64	16-15/16	13	411/32	1-5/16	1-25/32	1-25/32	9-1/4	3.396	1	UK318;HA2318		
UKP319;H2319	85	125	470	360	120	36	50	45	250	90	M30	UK319;H2319	P319	29.3
UKP319;HA2319	3-5/16	4-59/64	18-1/2	14-3/16	4-23/32	1-13/32	1-31/32	1-25/32	9-27/32	3.543	1-1/8	UK319;HA2319		
UKP320;H2320	90	140	490	380	120	36	50	50	275	97	M30	UK320;H2320	P320	34.8
UKP320;HA2320	3-7/16	5-33/64	19-9/32	14-31/32	4-23/32	1-13/32	1-32/32	1-31/32	10-53/64	3.814	1-1/8	UK320;HA2320		
UKP322;H2322	100	150	520	400	140	40	55	55	300	105	M33	UK322;H2322	P322	43.9
UKP322;HA2322	3-15/16	5-29/32	20-15/32	15-3/4	5-1/2	1-9/16	2-5/32	2-5/32	11-13/16	4.134	1-1/4	UK322;HA2322		
UKP324;H2324	110	160	570	450	140	40	55	65	320	112	M33	UK324;H2324	P324	55.7
UKP324;HA2324	4-3/16	6-19/64	22-7/16	17-23/32	5-1/2	1-9/16	2-5/32	1-21/32	12-19/32	4.410	1-1/4	UK324;HA2324		
UKP326;H2326	115	180	600	480	140	40	55	75	355	121	M33	UK326;H2326	P326	71.9
UKP326;HA2326	4-7/16	7-3/32	23-5/8	18-29/32	5-1/2	1-9/16	2-5/32	2-61/64	13-31/32	4.764	1-1/4	UK326;HA2326		
UKP328;H2328	125	200	620	500	140	40	55	75	390	131	M33	UK328;H2328	P328	92.5
UKP328;HA2328	4-15/16	7-7/8	24-13/32	19-11/16	5-1/2	1-9/16	2-5/32	2-61/64	15-32/64	5.158	1-1/4	UK328;HA2328		