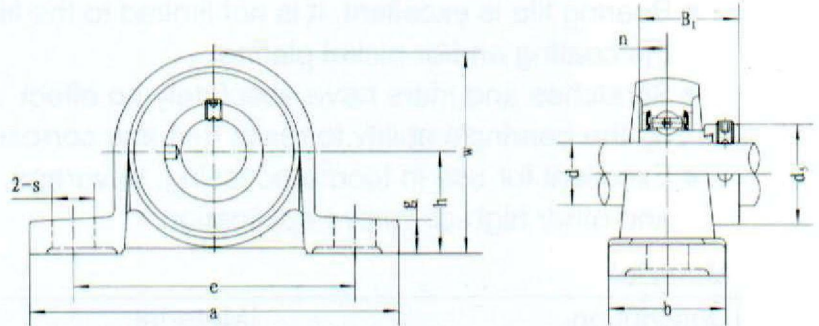




- Rustproof housings made with a special alloy or stainless steel AISI304
- Bearings are high carbon chromium bearing steel or stainless steel AISI440C

UP 000 type*

PILLOW BLOCKS
Extra Narrow Width Eccentric Collar Locking

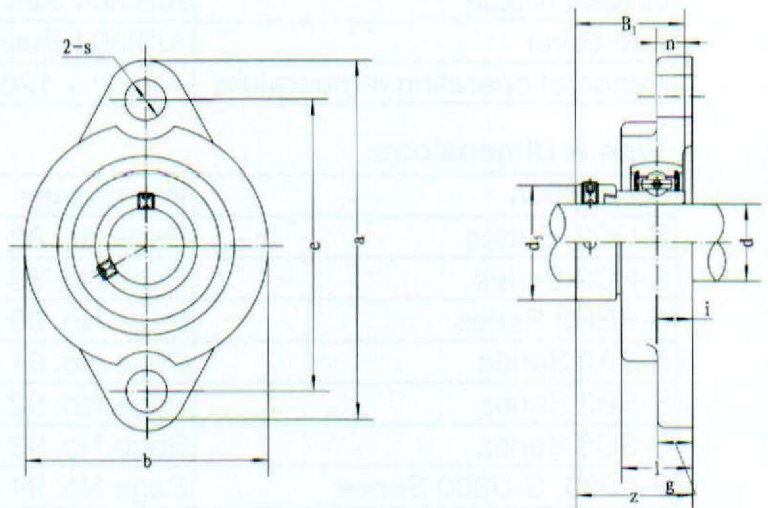


Unit No.	Dimensions <small>mm</small> <small>in.</small>												Bolt Used <small>mm</small>	Bearing NO.	Housing NO.	Weight (kg)
	d	h	a	e	b	s	g	w	B ₁	n	d ₁					
UP000	10	18	67	53	16	7	6	35	17.5	4	17	M6	U000	P000	0.08	
UP001	12	19	71	56	16	7	6	38	17.5	4	19		U001	P001	0.09	
UP002	15	22	80	63	16	7	7	43	18.5	4.5	22		U002	P002	0.13	
UP003	17	24	85	67	18	7	7	47	20.5	5	25	M8	U003	P003	0.16	
UP004	20	28	100	80	20	10	9	55	24.5	6	30		U004	P04-5	0.23	
UP005	25	32	112	90	20	10	10	62	25.5	6	36		U005	P05-6	0.29	
UP006	30	36	132	106	26	13	11	70	26.5	6.5	42	M10	U006	P06-7	0.45	

*ALSO AVAILABLE WITH STAINLESS STEEL COVERS.

UFL 000 type*

WO-BOLT FLANGE UNITS
Extra Narrow Width Eccentric Collar Locking



Unit No.	Dimensions <small>mm</small> <small>in.</small>													Bolt Used <small>mm</small>	Bearing NO.	Housing NO.	Weight (kg)
	d	a	e	l	g	l	s	b	z	B ₁	n	d ₁					
UFL000	10	60	45	5.5	5.5	11.5	7	36	19	17.5	4	17	M6	U000	FL000	0.06	
UFL001	12	63	48	5.5	5.5	11.5	7	38	19	17.5	4	19		U001	FL001	0.07	
UFL002	15	67	53	6.5	6.5	13	7	42	20.5	18.5	4.5	22		U002	FL002	0.10	
UFL003	17	71	56	7	7	14	7	46	22.5	20.5	5	25	M8	U003	FL003	0.13	
UFL004	20	90	71	8	8	16	10	55	26.5	24.5	6	30		U004	FL04-5	0.20	
UFL005	25	95	75	8	8	16	10	60	27.5	25.5	6	36		U005	FL05-6	0.24	
UFL006	30	112	85	9	9	18	13	70	29	26.5	6.5	42	M10	U006	FL06-7	0.35	
UFL007	35	122	95	10	10	20	13	80	32.5	29.5	7	48		U007	FL07-8	0.50	

*ALSO AVAILABLE WITH STAINLESS STEEL COVERS.

SILEVER SERIES

KP (Light-duty)
KFL

- Rustproof housings made with a special alloy or stainless steel AISI304
- Bearings are high carbon chromium bearing steel or stainless steel AISI440C

KP 000 type*

PILLOW BLOCKS

Extra Narrow Width Eccentric Collar Locking



Unit No.	Dimensions mm											Bolt Used mm	Bearing NO.	Housing NO.	Weight gm
	i	h	a	f	h	s	g	w	1)	ii	iii				
KP000	10	18	67	53	11	7	11	15		4		K000	pp00	am	
KP001	12	19	71	56	16	7	6	38	14,5	4	M6	K001	P001	009	
KP002	15	22	80	63	16	7	7	43	16	5	M6	K002	pad.2	0.13	
KP003	17	24	65	62	18	7	1	47	15	5	M6	K003	pac.3	0.18	
KPaW	20	28	100	60	20	10	9	55	21	6	M8	K0G4	P04-5	0.23	
KPO05	25	32	112	90	20	10	10	62	22,5	6	M8	K005	P05-6	0.29	
KPO05S	30	36	132	106	26	13	11	70	24,5	6	M10	K0W.	pac-7	0.5	

*ALSO AVAILABLE WITH STAINLESS STEEL COVERS.

KFL 000 type*

WO-BOLT FLANGE UNITS

Extra Narrow Width Eccentric Collar Locking

Unit No.	Dimensions T											Bolt Used mm	Bearing NO.	Housing NO.	Weight gm
	i	h	a	f	h	s	g	w	1)	ii	iii				
Knom	10	18	67	53	11	7	11	15		4		K100	FLOW	0.11	
KFL0D1	12	19	71	56	16	7	6	38	16	4	M6	K001	FLO01	0.07	
KFL00!	15	22	80	63	16	7	7	42	18,6	5	M6	K002	FLD02	0.10	
KFL0D3	17	24	65	62	18	7	1	46	19,5	5	M6	K003	FLD03	0.13	
KFL0D4	20	28	100	60	20	10	9	55	23	6	M8	K004	FLD4-S	0.20	
K F 1 mi-	25	32	112	90	20	10	10	60	24,5	6	M8	K005	FLO5-6	0.26	
KI 1 (11L)	30	36	132	106	26	13	11	70	27	6,5	M10	K006	FL06-7	0.35	

*ALSO AVAILABLE WITH STAINLESS STEEL COVERS.