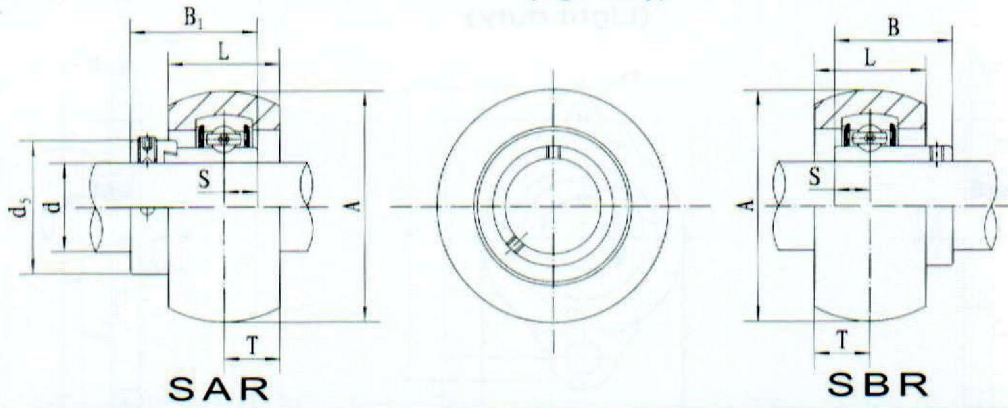




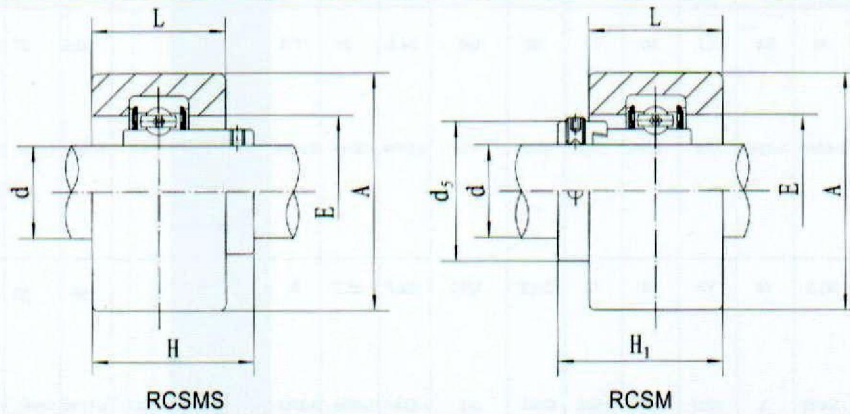
SAR2
(SA2-Fitted)

Rubber Mounted Cartridge Units
(Light-duty)

SBR2
(SB2-Fitted)



Unit NO.	Dimensions ^{mm} / _{in.}				SAR					SBR				Rubber Ring NO.
	d	A	L	T	B ₁	S	d _s	Bearing NO.	Weight (Kg)	B	S	Bearing NO.	Weight (Kg)	
SAR SBR 201-8	1/2	1-7/8	11/16	11/32	1.1260	0.2559	1-1/8	SA201-8	0.16	0.8661	0.2362	SB201-8	0.11	R-4
202-10	5/8	47.6	17.4	8.7	28.6	6.5	28.6	SA202-10		22	6	SB202-10		
SAR SBR 204-12	3/4	2-1/16	11/16	11/32	1.2205	0.2953	1-5/16	SA204-12	0.17	0.9843	0.2756	SB204-12	0.16	R-5
		52.4	17.4	8.7	31	7.5	33.3			25	7			
SAR SBR 205-14	7/8	2-29/64	25/32	13/32	1.2205	0.2953	1-1/2	SA205-14	0.22	1.0630	0.2953	SB205-14	0.19	R-6
205-15	15/16						SA205-15	27		7.5				
205-16	1	62.4	19.8	10.3	31	7.5	38.1	SA205-16				SB205-16		
SAR SBR 206-17	1-1/16	2-27/32	13/16	13/32	1.4055	0.3543	1-3/4	SA206-17	0.36	1.1811	0.3150	SB206-17	0.44	R-7
206-18	1-1/8							SA206-18				SB206-18		
206-19	1-3/16	72.4	20.6	10.3	35.7	9	44.5	SA206-19		30	8	SB206-19		
206-20	1-1/4							SA206-20				SB206-20		



Unit No.		Dimensions ^{mm} / _{inch}							Bearing NO.		Rubber Ring NO.	Weight Kg	
Locking collar Type	Set Screw Type	d	A	L	E	H ₁	H	d _s	RCSM	RCSMS		RCSM	RCSMS
RCSM201-8	RCSMS201-8	1/2	2-17/32	1	1-3/8	1-3/8	1-9/64	1-3/8	CSA201-8	CSB201-8	RC-3	0.2	0.16
RCSM202-10	RCSMS202-10	5/8	64.3	25.4	34.9	34.9	29	28.6	CSA202-10	CSB202-10			
RCSM204-12	RCSMS204-12	3/4	2-17/32	1	1-9/16	1-27/64	1-7/32	1-5/16	CSA204-12	CSB204-12	RC-4	0.24	0.22
RCSM205-14	RCSMS205-14	7/8	2-17/32	1	1-25/32	1-27/61	1-9/32	1-1/2	CSA205-14	CSB205-14	RC-5	0.26	0.24
RCSM205-15	RCSMS205-15	15/16							CSA205-15	CSB205-15			
RCSM205-16	RCSMS205-16	1	64.3	25.4	45.2	36.1	32.5	38.1	CSA205-16	CSB205-16			

SAPR2
(SA2-Fitted)

Rubber Mounted Cartridge clnits
(Light-daty)

FK BALL BEARING UNITS

SBPR2
(SB2-Fitted)

SAPR

Unit NO.	Dimensions						SAPR						SBPR			Boll Used mm in	Housing NO.	RubU'i Ring NO.	Weight <Kg)
	d	h	a	e	b	H	B	w	B ₁	s	Bearing NO	B	s	Bearing NO.					
SAPR SBPR 202-10	1/2	1	3-55/64	2 63/64	1-17/84	3/8	1/8	1-83/84	1 12/60	0 256	1-1/1	SA201-8	U	0 236	SB201-B	1-1/2	PP204	R-4	0 1 7
SAPR SBPR 205-15	5/8	25.4	98	76	32	9.6	3 2	50.5	28.6	8 5	38 6	202-10	22	6	202-10	MR	PP205	R-5	0 2 4
SAPR SBPR 205-16	3/4	1-1/4	4-1/4	3 25/64	1-17/84	20/64	5/32	1 11/16	1 22/64	0 295	1-5/16	SA204-12	09843	0.275	SB204-12	3/8	PP206	R-6	0 3 5
SBPR 206-19	7/8	1-5/16	1 11/16	1-47/64	1-1/2	29/64	5/32	2-39/64	1 22/64	0 295	1-1/2	SA205-14	1.0630	0 295	SB205-14	3/8	PP207	R-7	0 4 8
SBPR 206-20	15/16	33.3	117	95	38	11.5	4	66.3	31	7.5	38.1	205-15	27	7.5	206-15	M10			
	1											205-16			20U-1C				
	1-1/8	1-9/16	5-5/64	4-11/64	1-21/32	29/64	3/16	3-5/64	1 40/55	0 354	1-3/4	SA206-18	1.1811	0.315	SB206-18	3/8			
	1-1/8	1-9/16	5-5/64	4-11/64	1-21/32	29/64	3/16	3-5/64	1 40/55	0 354	1-3/4	206-19	30	8	206-19	M10			
	MM	39 7	129	106	42	11.5	4 6	78	35 7	9	44 5	206-20			206-20				

Note "Snap-Together" housings available upon request-add "ST" suffix